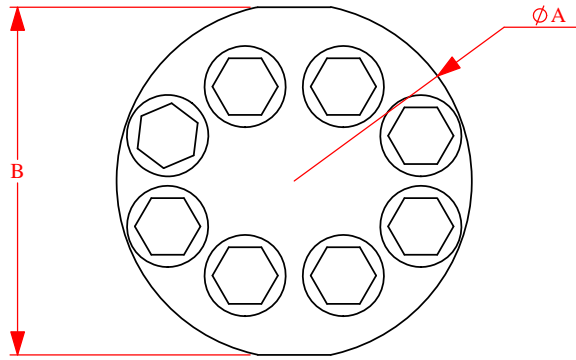
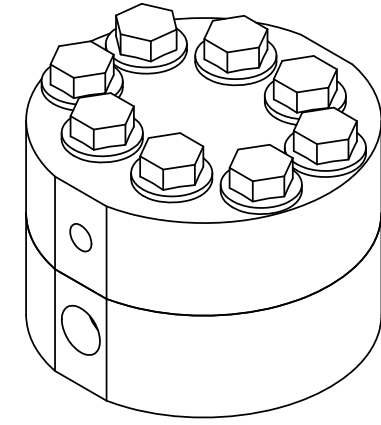


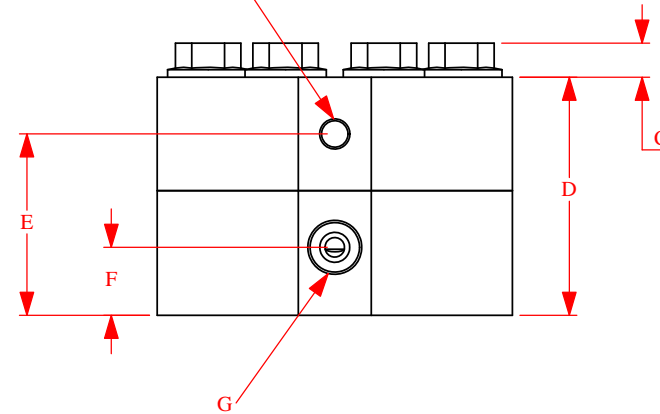
JVHS-xxKG and -EX DIMENSIONS

316ss HOUSING

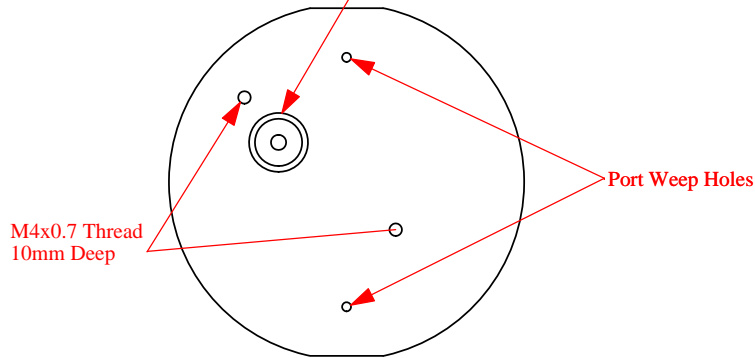
15,000PSI WORKING PRESSURE



(2X) M8 MOUNTING HOLES
15mm DEEP



Sensor Hole
M14 Thread
(3/8" NPT on -EX Models)



****DIMENSIONS SUBJECT TO CHANGE WITHOUT NOTICE****

MODEL	PUL/GAL (AVERAGE)	A	B	C	D	E	F	G
JVHS-12KG	53,000	3.70"	3.62"	.35"	2.48"	1.89"	.71"	3/8" Autoclave Medium Pressure
JVHS-20KG	15,900	3.70"	3.62"	.35"	2.48"	1.89"	.71"	3/8" Autoclave Medium Pressure
JVHS-30KG	6,600	3.70"	3.62"	.35"	2.95"	2.36"	.71"	3/8" Autoclave Medium Pressure

<p>AW COMPANY USE ONLY</p> <p>THIS PRINT, INCLUDING THE INFORMATION CONTAINED IN IT IS THE PROPERTY OF AW COMPANY. IT IS CONSIDERED PROPRIETARY IN NATURE AND MAY NOT BE USED OR DISCLOSED OUTSIDE OF AW COMPANY, EXCEPT UNDER PRIOR WRITTEN AGREEMENT. ANY MODIFICATIONS MADE TO OR COMMENTS WRITTEN ON THIS DRAWING BY UNAUTHORIZED PERSONNEL WILL VOID THIS DRAWING. ALL DIMENSIONS SHOWN ARE SUBJECT TO CHANGE WITOUT NOTICE.</p>	<p>TOLERANCES UNLESS NOTED ENGLISH</p> <p>.XXXX +/- .0005 .XXX +/- .001 .XX +/- .01</p> <p>FRAC. +/- 1/64 ANG. +/- 0.1 DEG SURFACE FINISH: 64 MAX</p>	<p>PROJECT NAME: JVHS-XXKG DIMENSIONS</p>	
		<p>PART DESCRIPTION: JVHS-XXKG</p>	
<p>AW-LAKE COMPANY A TASI GROUP COMPANY</p> <p>8809 INDUSTRIAL DR. FRANKSVILLE, WI 53126 TEL. # (262) 884-9800 FAX. # (262) 884-9810</p>	<p>MATERIAL:</p>		<p>REV: B DATE: 08/20/07</p>
	<p>FINISH:</p>		
	<p>HARDENING:</p>		
	<p>DRAWING NUMBER: JVHS802B</p>		
<p>DRAWN BY: S. HONSBERGER</p>		<p>SCALE: 1:1</p>	
<p>PAGE: 1 OF 2</p>			

REVISION	DESCRIPTION	DATE	BY
B	UPDATED LOGO	08/20/07	SH
A	Initial Release	03/16/06	SH