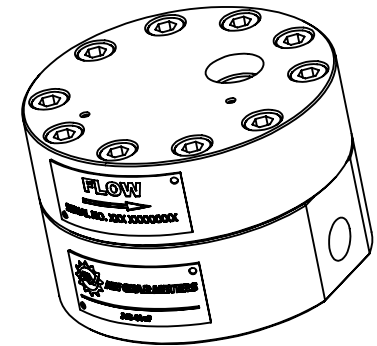
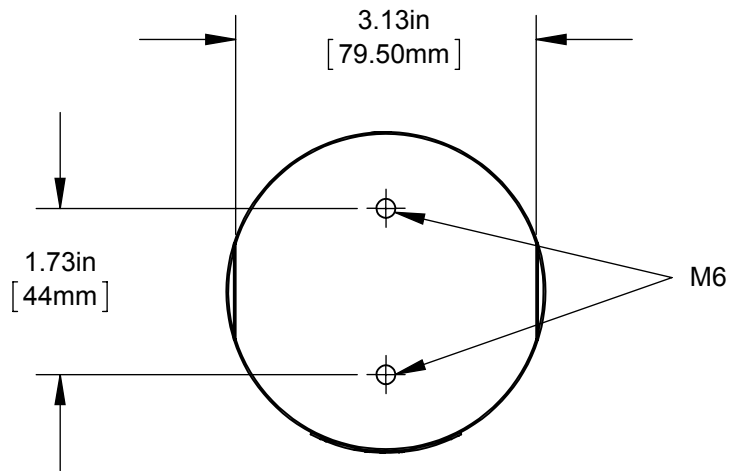
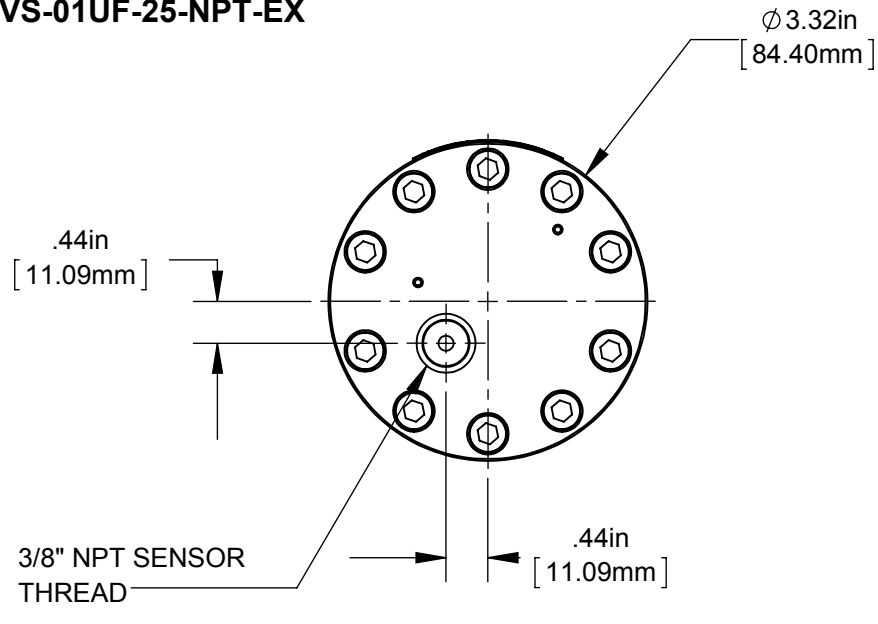


JVS-01UF-25-NPT-EX



UNITS:		DRAWING NO.: JVS-01UF-25-NPT-EX	
TOLERANCES UNLESS OTHERWISE NOTED		PART NO.: JVS-01UF-25-NPT-EX	
IMPERIAL .XXXX ± .0005 .XXX ± .003 .XX ± .01 FRAC. ± .015 ANG. ± 5°	METRIC .XXX ± .013 .XX ± .07 .X ± .25 ANG. ± .5°	UPPER LEVEL:	
SURFACE FINISH: 64 MAX		DESCRIPTION:	
INTERNAL USE ONLY		MATERIAL:	
		MODELED BY:	DATE: 1/20/2012
		DRAWN BY: T. Binninger	DATE: 3/20/2015
THIS PRINT, INCLUDING THE INFORMATION CONTAINED IN IT IS THE PROPERTY OF AW-LAKE COMPANY. IT IS CONSIDERED PROPRIETARY IN NATURE AND MAY NOT BE USED OR DISCLOSED OUTSIDE OF AW-LAKE COMPANY, EXCEPT UNDER PRIOR WRITTEN AGREEMENT. ANY MODIFICATIONS MADE TO OR COMMENTS WRITTEN ON THIS DRAWING BY UNAUTHORIZED PERSONNEL WILL VOID THIS DRAWING. ALL DIMENSIONS SHOWN ARE SUBJECT TO CHANGE WITHOUT NOTICE.			
REVISION:		SCALE: 1:2	
REVISIONS		SHEET: 1 OF 1	
A		SIZE: A	



8809 Industrial Drive
Franksville, WI 53126
Phone: (262) 884-9800
Fax: (262) 884-9810

REV.	DESCRIPTION	DATE	BY	ECN	APVD
A		01/18/2013	XX	XXX	XX