

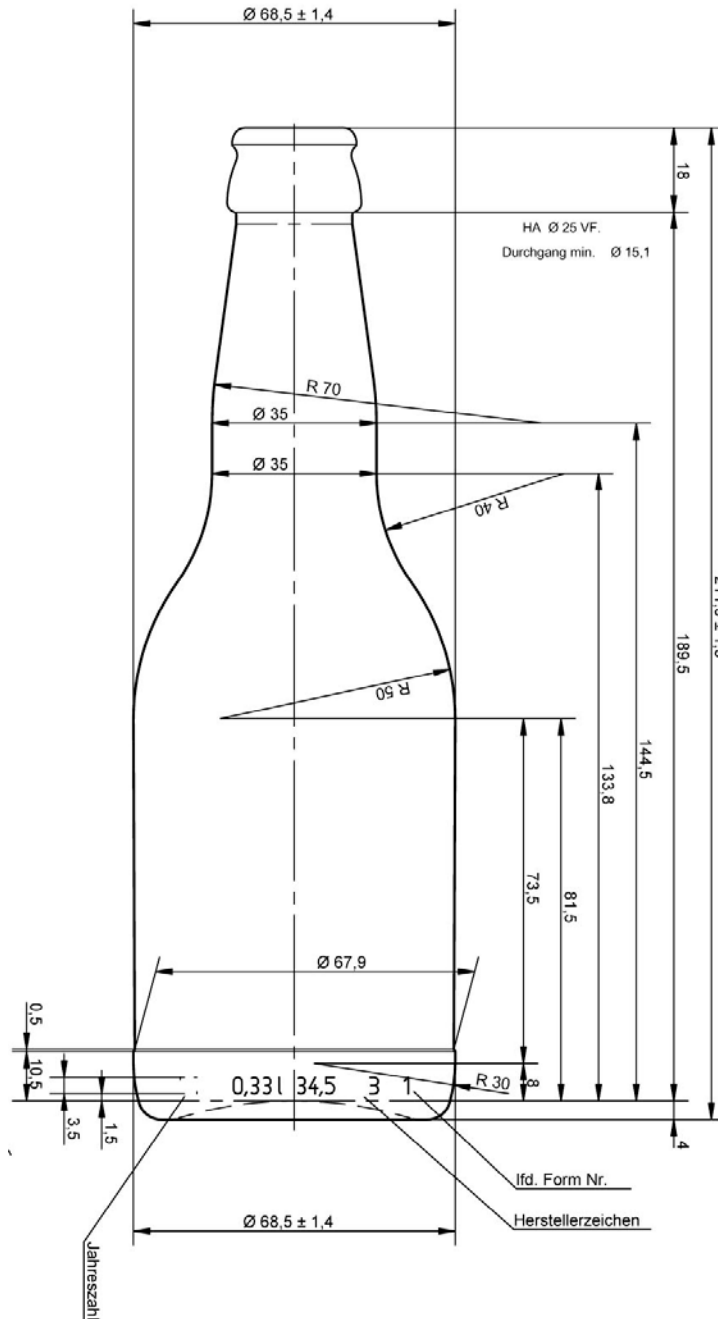


working with you

Alpha Place, Garth Road  
Morden, Surrey  
SM4 4LX England

(T): +44 208 337 2945  
(E): sales@croxsons.com  
**WWW.CROXSONS.COM**

Registered Office as above. Registered No: 71941



DESCRIPTION:	330ml Stubbi		ITEM CODE:	CRSY0084	
COLOUR:	Amber		WEIGHT:	320g	
NOMINAL CAPACITY:	330ml	BRIMFULL CAPACITY:	345 ± 8.0ml	CLOSURE:	Crown
HEIGHT:	211.5 ± 1.5mm	DIAMETER:	68.5 ± 1.4mm	FILL HEIGHT:	34.5mm
LABEL PANEL:	73.5mm	CARBONATION:	Nil	VACUITY:	ml   %
PALLET HEIGHT:	1.850m	PALLET WEIGHT:	696kg	UNITS PER PALLET:	2176
DRAWING CHECKED:		DATE CHECKED:	25-Feb-13	DRAWING REF:	CRSY0084

All measurements are approximate unless tolerances stated then are in accordance with ISO9058:2008, E&OE excepted.  
Clients should run trials and check physical samples prior to any full scale production.

QF015 Iss 002 30/11/2010