

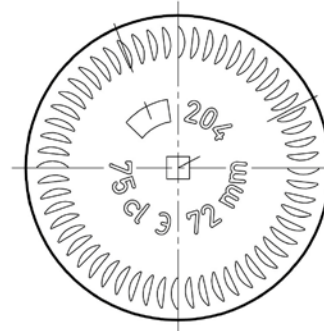
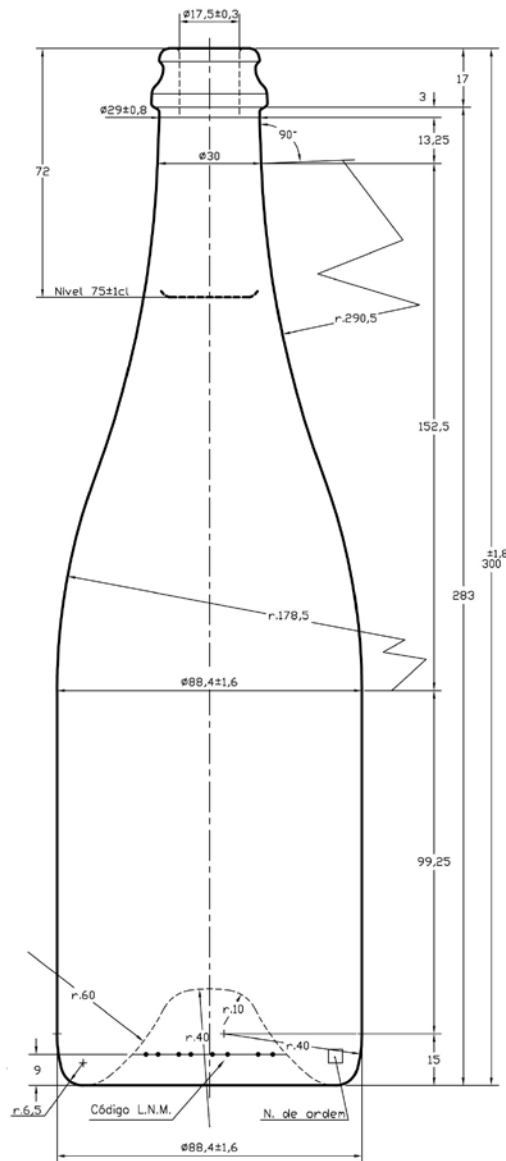


working with you

Alpha Place, Garth Road
Morden, Surrey
SM4 4LX England

(T): +44 208 337 2945
(E): sales@croxsons.com
WWW.CROXSONS.COM

Registered Office as above. Registered No: 71941



DESCRIPTION:	750ml Cava Champagne		ITEM CODE:	CRSO7204D035	
COLOUR:	Flint / AV Green		WEIGHT:	900g	
NOMINAL CAPACITY:	750ml	BRIMFULL CAPACITY:	770 ± 10ml	CLOSURE:	Champagne Cork
HEIGHT:	300 ± 1.8mm	DIAMETER:	88.4 ± 1.8mm	FILL HEIGHT:	72mm
LABEL PANEL:	99.25mm	CARBONATION:	10 g/l	VACUITY:	3.2%
PALLET HEIGHT:	1.980m	PALLET WEIGHT:	937kg	UNITS PER PALLET:	1002
DRAWING CHECKED:		DATE CHECKED:	08.09.2011	DRAWING REF:	CRSO7204D035