

DESCRIPTION:	1 Litre Amber Siphon Eterna Bartop		ITEM CODE:	CRSY0538	
COLOUR:	Amber		WEIGHT:	1280g	
NOMINAL CAPACITY:	1000ml	BRIMFULL CAPACITY:	1030ml ±	CLOSURE:	Bartop
HEIGHT:	263 ± 1.7mm	DIAMETER:	114 ± 1.9mm	FILL HEIGHT:	50mm
LABEL PANEL:	94mm	CARBONATION:	3.0 Bar	VACUITY:	30ml   %
PALLET HEIGHT:	1.200m	PALLET WEIGHT:	525kg	UNITS PER PALLET:	560
DRAWING CHECKED:	Draft	DATE CHECKED:	21-Jul-15	DRAWING REF:	7207

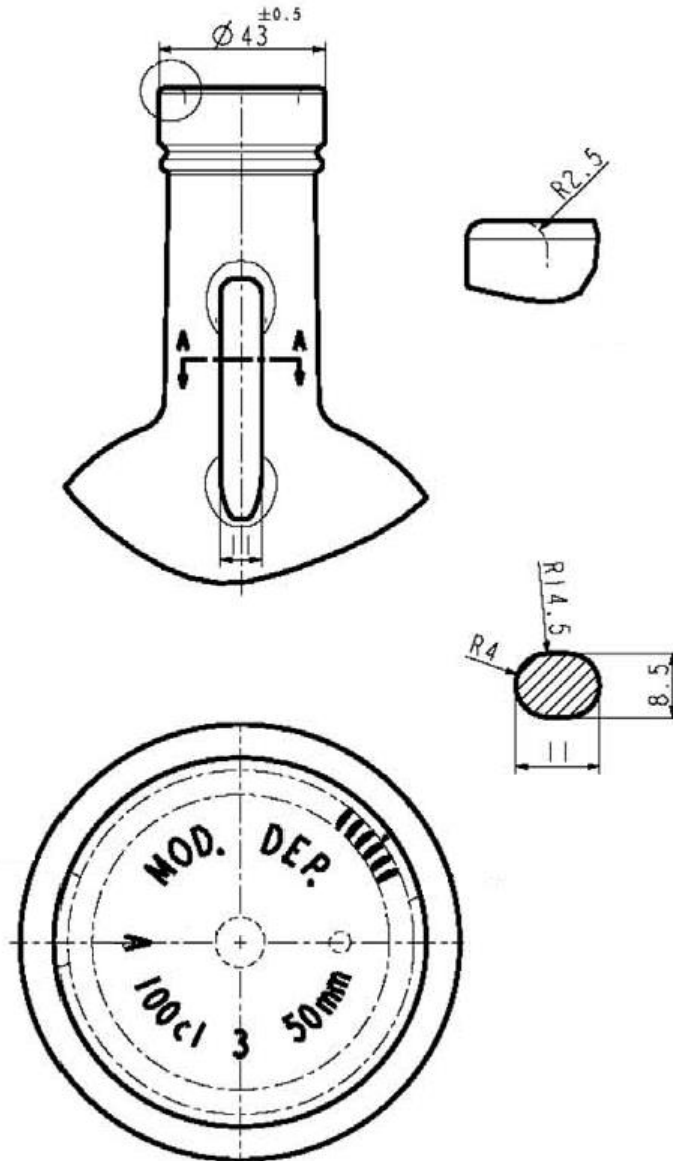


working with you

Alpha Place, Garth Road  
Morden, Surrey  
SM4 4LX England

(T): +44 208 337 2945  
(E): sales@croxsons.com  
[WWW.CROXSONS.COM](http://WWW.CROXSONS.COM)

Registered Office as above. Registered No: 71941



DESCRIPTION:	1 Litre Amber Siphon Eterna Bartop			ITEM CODE:	CRSY0538
COLOUR:	Amber			WEIGHT:	1280g
NOMINAL CAPACITY:	1000ml	BRIMFULL CAPACITY:	1030ml ±	CLOSURE:	Bartop
HEIGHT:	263 ± 1.7mm	DIAMETER:	114 ± 1.9mm	FILL HEIGHT:	50mm
LABEL PANEL:	94mm	CARBONATION:	3.0 Bar	VACUITY:	30ml   %
PALLET HEIGHT:	1.200m	PALLET WEIGHT:	525kg	UNITS PER PALLET:	560
DRAWING CHECKED:	Draft	DATE CHECKED:	21-Jul-15	DRAWING REF:	7207

All measurements are approximate unless tolerances stated then are in accordance with ISO9058:2008, E&OE excepted.  
Clients should run trials and check physical samples prior to any full scale production.

QF015 Iss 002 30/11/2010