

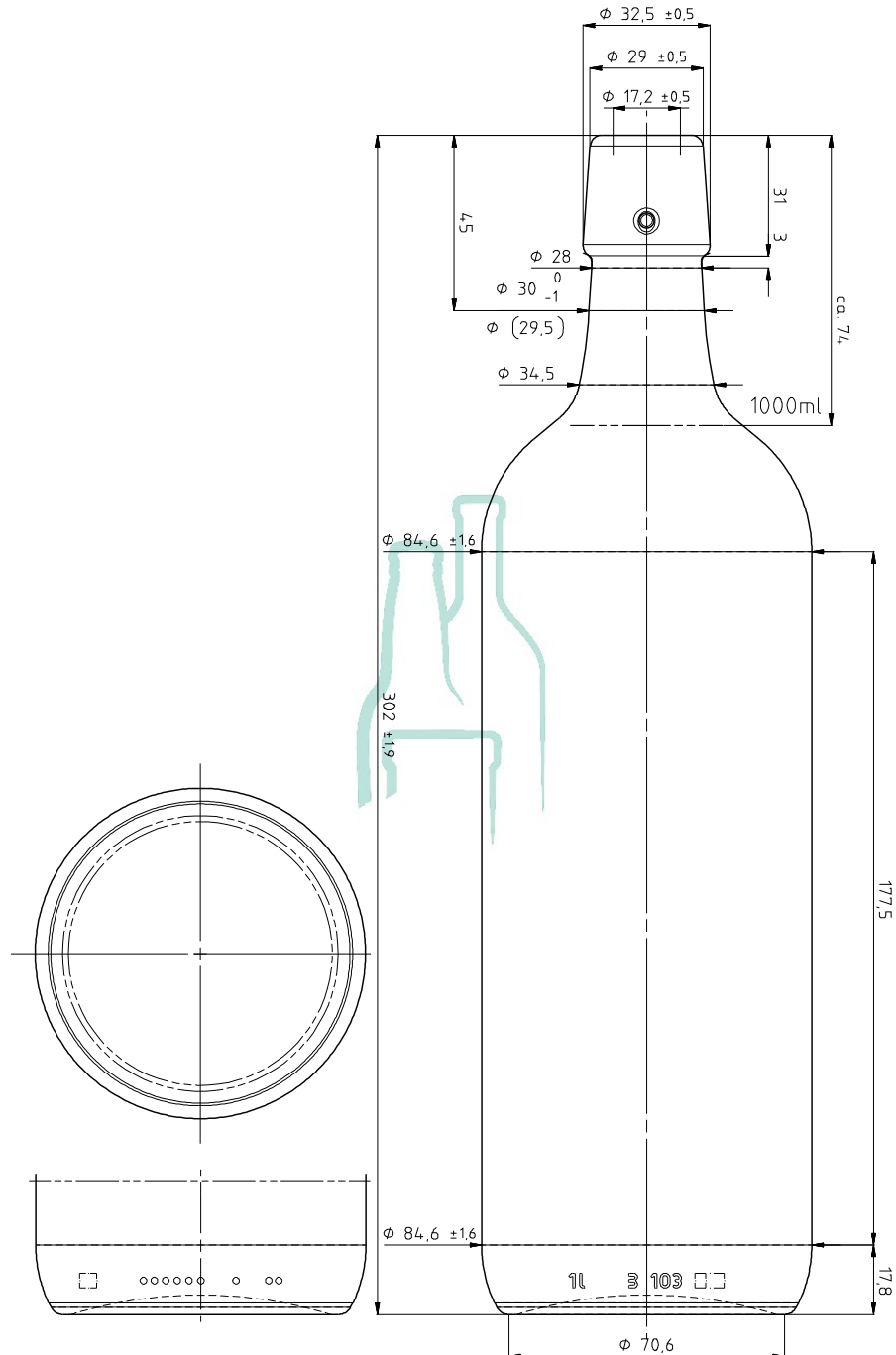


working with you

Alpha Place, Garth Road  
Morden, Surrey  
SM4 4LX England

(T): +44 208 337 2945  
(E): sales@croxsons.com  
**WWW.CROXSONS.COM**

Registered Office as above. Registered No: 71941



DESCRIPTION:	1 Litre Flint Soft Drink Swing Stopper		ITEM CODE:	CRVP24352	
COLOUR:	Flint		WEIGHT:	610g	
NOMINAL CAPACITY:	1000ml	BRIMFULL CAPACITY:	1030 ± 10ml	CLOSURE:	Swing Stopper
HEIGHT:	302 ± 1.9mm	DIAMETER:	84.6 ± 1.6mm	FILL HEIGHT:	74mm
LABEL PANEL:	177.5mm	CARBONATION:	8.5 g/l	VACUITY:	ml   0.0%
PALLET HEIGHT:	1.980m	PALLET WEIGHT:	682kg	UNITS PER PALLET:	1056 – 6 Layers
DRAWING CHECKED:		DATE CHECKED:	24-Jun-14	DRAWING REF:	24352

All measurements are approximate unless tolerances stated then are in accordance with ISO9058:2008, E&OE excepted.  
Clients should run trials and check physical samples prior to any full scale production.

QF015 Iss 002 30/11/2010