

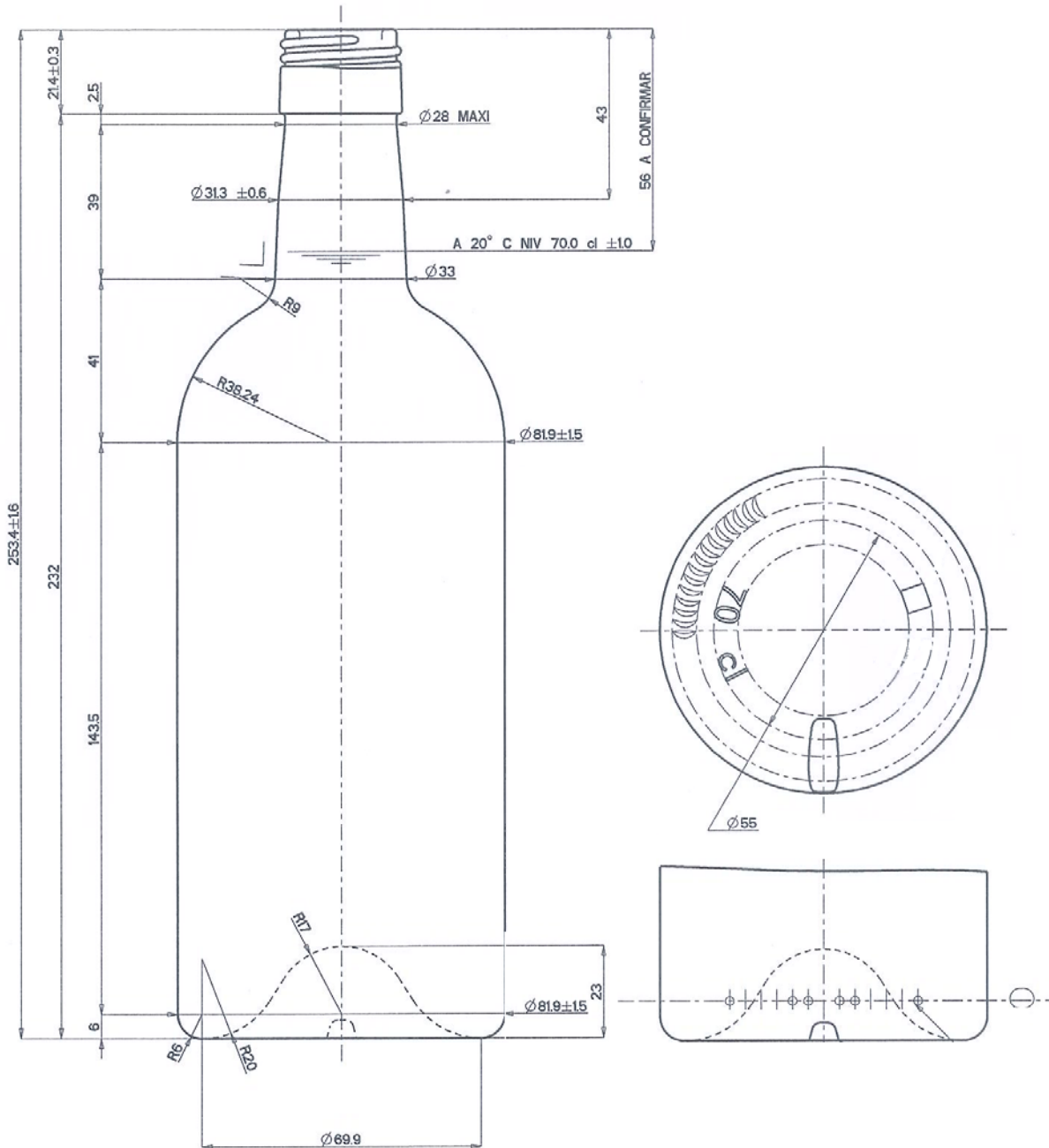


working with you

Alpha Place, Garth Road
Morden, Surrey
SM4 4LX England

(T): +44 208 337 2945
(E): sales@croxsons.com
WWW.CROXSONS.COM

Registered Office as above. Registered No: 71941



DESCRIPTION:	700ml Dublin SPP		ITEM CODE:	CRVR8018008	
COLOUR:	Flint		WEIGHT:	550g	
NOMINAL CAPACITY:	700ml	BRIMFULL CAPACITY:	722 ± 10ml	CLOSURE:	SPP 31.5 H 44
HEIGHT:	253.4 ± 1.6mm	DIAMETER:	81.9 ± 1.5mm	FILL HEIGHT:	56mm
LABEL PANEL:	143.5mm	CARBONATION:	Nil	VACUITY:	ml %
PALLET HEIGHT:	2.206m	PALLET WEIGHT:	825Kg	UNITS PER PALLET:	1456 – 8 Layers
DRAWING CHECKED:		DATE CHECKED:	14.06.2012	DRAWING REF:	CRVR8018008

All measurements are approximate unless tolerances stated then are in accordance with ISO9058:2008, E&OE excepted.
Clients should run trials and check physical samples prior to any full scale production.

QF015 Iss 002 30/11/2010