

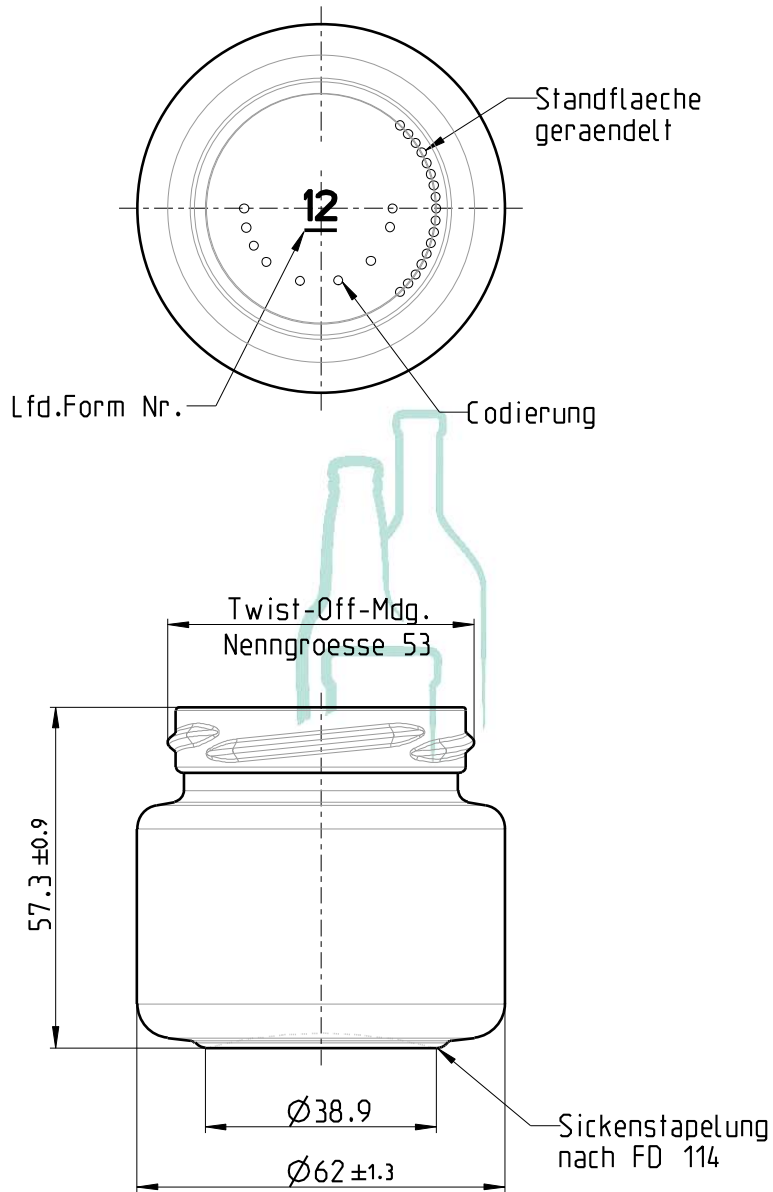


working with you

Alpha Place, Garth Road
Morden, Surrey
SM4 4LX England

(T): +44 208 337 2945
(E): sales@croxsons.com
WWW.CROXSONS.COM

Registered Office as above. Registered No: 71941



DESCRIPTION:	110ml Jar		ITEM CODE:	CRNC2261	
COLOUR:	Flint		WEIGHT:	85g	
NOMINAL CAPACITY:	110ml	BRIMFULL CAPACITY:	110 ± 4.5ml	CLOSURE:	53mm Twist – Off
HEIGHT:	57.3 ± 0.9mm	DIAMETER:	62 ± 1.3mm	FILL HEIGHT:	mm
LABEL PANEL:	mm	CARBONATION:	bar	VACUITY:	%
PALLET HEIGHT:	1.070m	PALLET WEIGHT:	496kg	UNITS PER PALLET:	5130
DRAWING CHECKED:		DATE CHECKED:	07.09.2011	DRAWING REF:	CRNC2261.01