

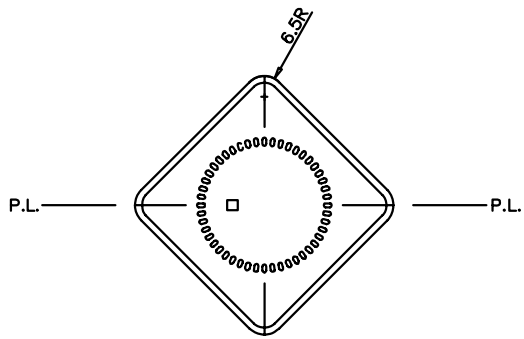
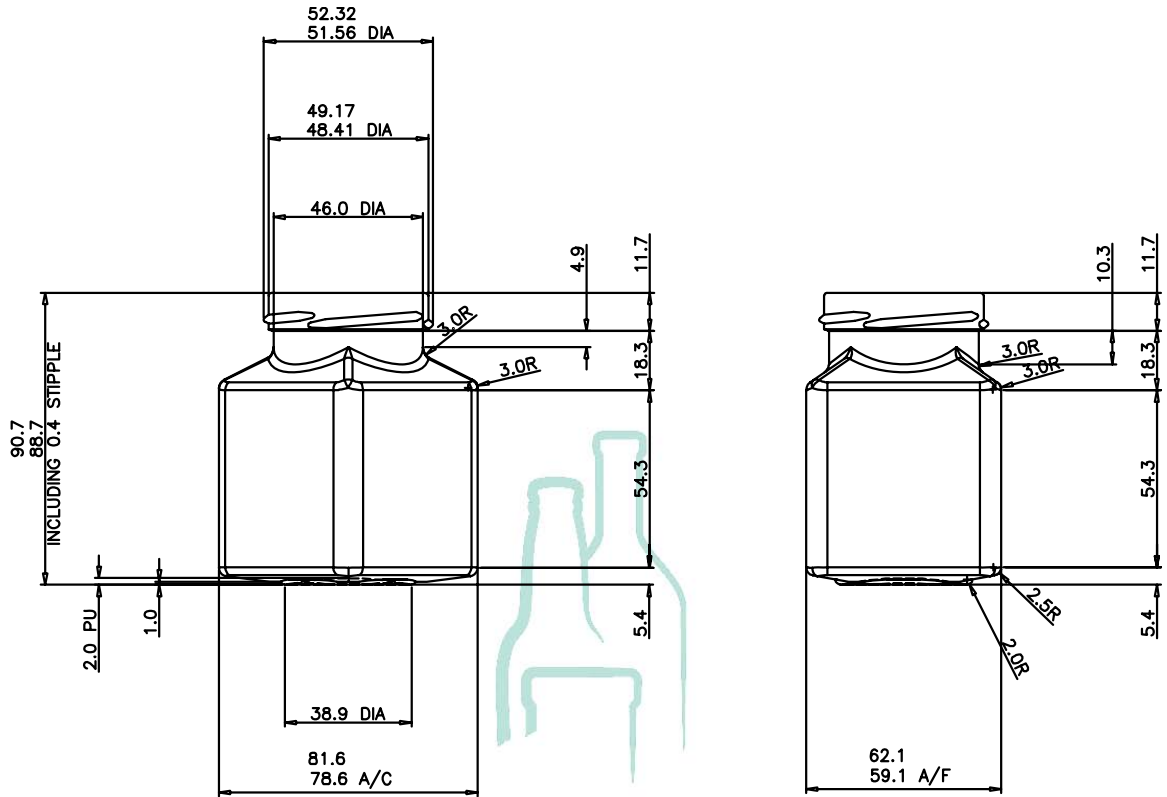


working with you

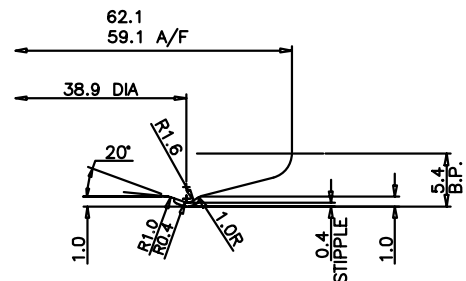
Alpha Place, Garth Road
Morden, Surrey
SM4 4LX England

(T): +44 208 337 2945
(E): sales@croxsons.com
WWW.CROXSONS.COM

Registered Office as above. Registered No: 71941



VIEW ON BASE
SHOWING EMBOSSED MARKINGS



STACKING RING DETAIL - SCALE 3:1

DESCRIPTION:	200ml Square Jar		ITEM CODE:	CRBC0831	
COLOUR:	Flint		WEIGHT:	170g	
NOMINAL CAPACITY:	200ml	BRIMFULL CAPACITY:	200 ± 3.8ml	CLOSURE:	53mm Twist Off
HEIGHT:	90.7 ± 0.4mm	DIAMETER:	± mm	FILL HEIGHT:	mm
LABEL PANEL:	54.3mm	CARBONATION:	Nil	VACUITY:	ml %
PALLET HEIGHT:	1.090m	PALLET WEIGHT:	524Kg	UNITS PER PALLET:	3040 - 10 Layers
DRAWING CHECKED:		DATE CHECKED:	01.07.2011	DRAWING REF:	CRBC0831.01