

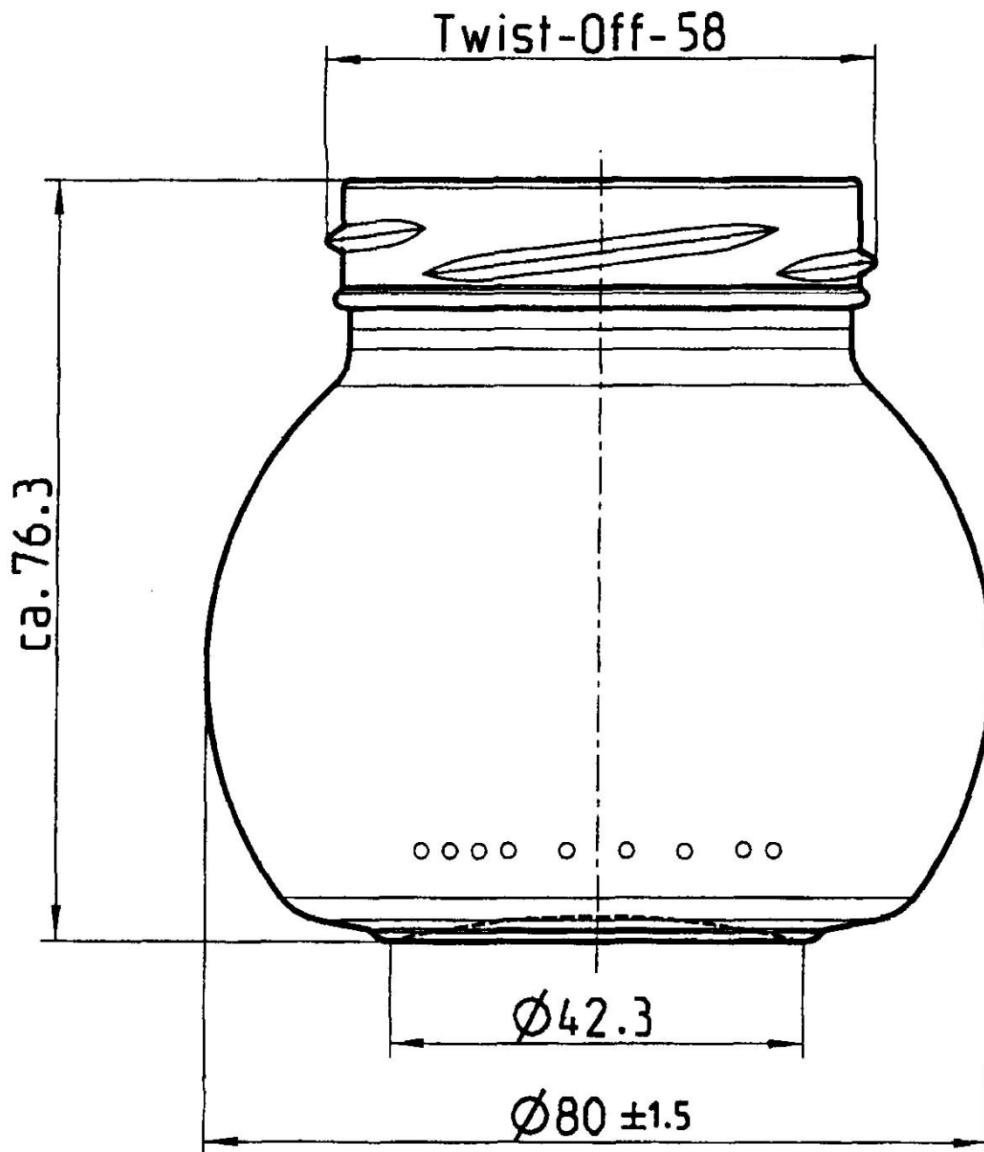


working with you

Alpha Place, Garth Road  
Morden, Surrey  
SM4 4LX England

(T): +44 208 337 2945  
(E): sales@croxsons.com  
[WWW.CROXSONS.COM](http://WWW.CROXSONS.COM)

Registered Office as above. Registered No: 71941



DESCRIPTION:	212mm Globe Jar		ITEM CODE:	CRNC4309	
COLOUR:	Flint		WEIGHT:	140g	
NOMINAL CAPACITY:	212ml	BRIMFULL CAPACITY:	212 ± 9.0ml	CLOSURE:	58mm Twist Off
HEIGHT:	76.3mm ±	DIAMETER:	80 ± 1.5mm	FILL HEIGHT:	mm
LABEL PANEL:	mm	CARBONATION:	Nil	VACUITY:	ml   %
PALLET HEIGHT:	1.190m	PALLET WEIGHT:	408kg	UNITS PER PALLET:	2639
DRAWING CHECKED:		DATE CHECKED:	06.06.2011	DRAWING REF:	CRNC4309.01

All measurements are approximate unless tolerances stated then are in accordance with ISO9058:2008, E&OE excepted.  
Clients should run trials and check physical samples prior to any full scale production.

QF015 Iss 002 30/11/2010