

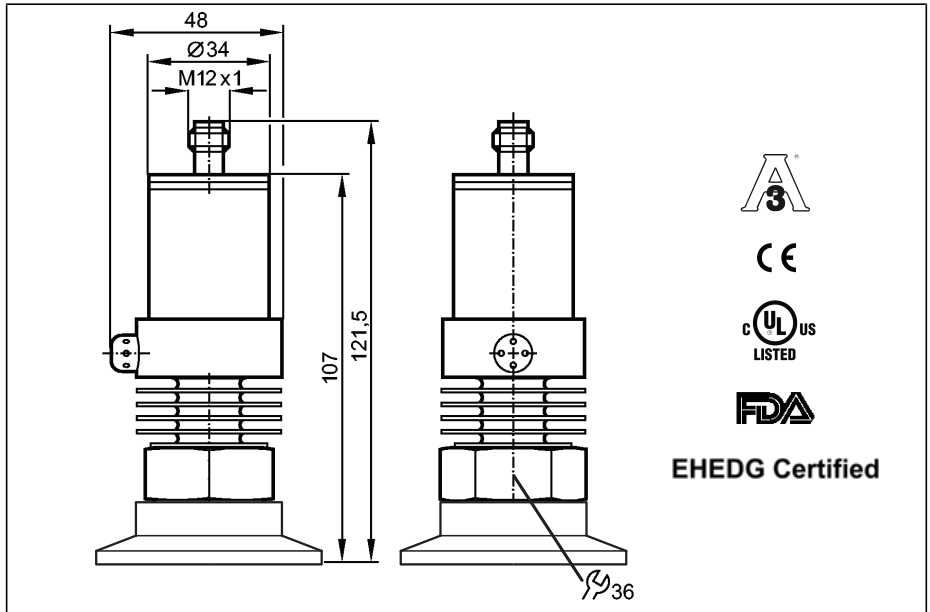
SANITARY PRESSURE TRANSMITTER WITHOUT DISPLAY

PM20 SERIES

Electronic Pressure Sensor PM20
Sanitary Process Connection
4 to 20 mA Output
Available in the Following Ranges:
-5 to 100.4"H₂O - PM2058
-0.7 to 14.5 PSI - PM2057
-1.8 to 36.3 PSI - PM2056
-14.4 to 58 PSI - PM2055
-7 to 145 PSI - PM2054
-15 to 363 PSI - PM2053

Zero & Span Adjustable
Programmable via EPS Interface

Connects with Water Tight
Standard M12 Industrial Connector
(Cables and Connectors Sold Separately)



Applications
Electrical Design
Output

Type of Pressure: Relative Pressure
Hygienic Systems, Viscous Media and Liquids with Suspended Partivcles
Liquids and Gases
DC
4...20 mA analog

Operating Voltage [V]

14...30 Volts DC

Reverse Polarity Protection

Yes

Overload Protection

Yes

Analog Output

4...20 mAmp

Load for Analog Output (Ohms)

Max. (U_b - 13 V) x 50; 550 at U_b = 24 V

Pressure Rating (min)

4 x Pressure Rating

Bursting Pressure (min)

14 x Pressure Rating

Accuracy / Deviations

(in % of span) Turn Down 1:1

Characteristics Deviation *)

< ±0.6

Linearity

< ±0.5

Hysteresis

< ±0.1

Repeatability **)

< ±0.1

Long-Term Stability ***)

< ±0.1

Temperature Coefficients (TEMPCO)

in the Temperature Range of 0...80°C

(in % of the Span Per 10 K)

Greatest TEMPCO of the Zero Point

< ±0.1

Greatest TEMPCO of the Span

< ±0.4

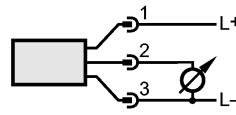
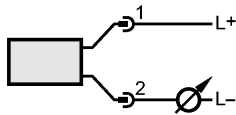


CHICAGO STAINLESS EQUIPMENT

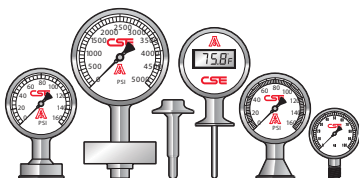
PRESSURE TRANSMITTER

Response Time Analog Output (ms)	3
Ambient Temperature (°C)	-25...80
Medium Temperature (°C)	-25...125 (145 max 1 Hr)
Storage Temperature (°C)	-40..100
Protection	IP67, III
Insulation Resistance (MOhm)	> 100 (500 V DC)
Shock Resistance	DIN IEC 68-2-27: 50 g (11ms)
Vibration Resistance	DIN IEC 68-2-6: 20 g (10... 2000Hz)
Min. Pressure Cycles	100 Million
EMC	EN61000-4-2 ESD: 4kV CD / 8 kV AD EN61000-4-3 HF Radiated: 10V/m EN61000-4-4 Burst: 2kV EN61000-4-6 HF Conducted: 10 V
Housing Materials	Stainless Steel 316L/1.4404; PEI; FPM (Viton)
Materials Wetted Surfaces	Stainless Steel 316L/1.4404; Ceramics (99.9% Al ₂ O ₃); PTFE; Ra < 0.4/Rz 4
Connection	M12 Connector; Gold-Plated Contacts
Remarks	The devise shall be supplied from an isolating source and protected by an overcurrent device such that the limited voltage circuit requirements in accordance with UL 508 are met. *) Linearity, Including Hysteresis and Repeatability; (limit value setting to DIN 16086) **) With Temperature Fluctuations < 10 K ***) In % of Span per Year

Wiring



Visit our website or request a catalog to see our complete line of high quality precision products including:
Sani-Flow Pressure Gauges, Homogenizer Pressure Gauges, Industrial Stainless Steel Pressure Gauges, Digital Thermometers, Pharma-Flow Pressure Gauges, Chem-Flow Pressure Gauges, Electronic Sensors Cable, Sanitary Temperature Sensors & Thermowells.



Quality Products Since 1937
www.chicagostainless.com

DISTRIBUTED BY:

For more information or for a distributor in your area, contact us:
Chicago Stainless Equipment
800-927-8575
www.chicagostainless.com
pt@chicagostainless.com