



2/2-way Solenoid Valve for neutral media

- Direct acting
- With hermetic isolation of fluid
- With manual override
- NC and NO circuit function
- Optional with electrical position feedback

Type 0223 can be combined with...



Type 2508

Cable plug



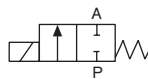
Type 1078

Timer unit

The direct-acting valve, Type 0223, is delivered with circuit function, normally closed and normally open. The solenoid actuator is separated from the medium by a double PTFE seal with a small ventilated space. The valve is used for shut-off, dosing, filling and ventilating medium where low pressures are applicable; also suitable for use in technical vacuum.

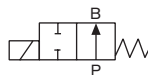
Circuit function A

2/2-way normally closed valve, direct acting,



Circuit function B

2/2-way normally open valve, direct acting,



Technical data	
Body material	Brass
Seal materials	NBR, FKM
Medium with NBR with FKM	Neutral liquids e.g. compressed air, water, hydraulic oil, oils and fats without additives, technical vacuum Hot air, per-solution, hot oil, oils with additives, technical Vacuum
Medium temperature with NBR with FKM	-10 up to +90 °C -10 up to +130 °C
Ambient temperature	Max. +50 °C
Viscosity	100 to 21 mm ² /s
Operating voltages on request	24/230 V 50 Hz 24/230 V UC 230 V UC Other Voltages
Voltage tolerance	±10%
Cycling rate	Max. 6/min with UC
Duty cycle	ED 100%
Electrical connection	Cable Plug (supplied as standard)
Protection class	IP65 with Cable Plug
Coil insulation class	H
Installation	As required, preferably with actuator upright
Response times [ms]: Opening Closing	Measured at valve outlet at 6 bar and +20°C. Pressure relief 0 90% Pressure relief 100 to 10%

Flow rate: Kv value water [m³/h]

Measured at +20 °C, 1 bar pressure at valve inlet and free outlet.

Pressure values [bar]

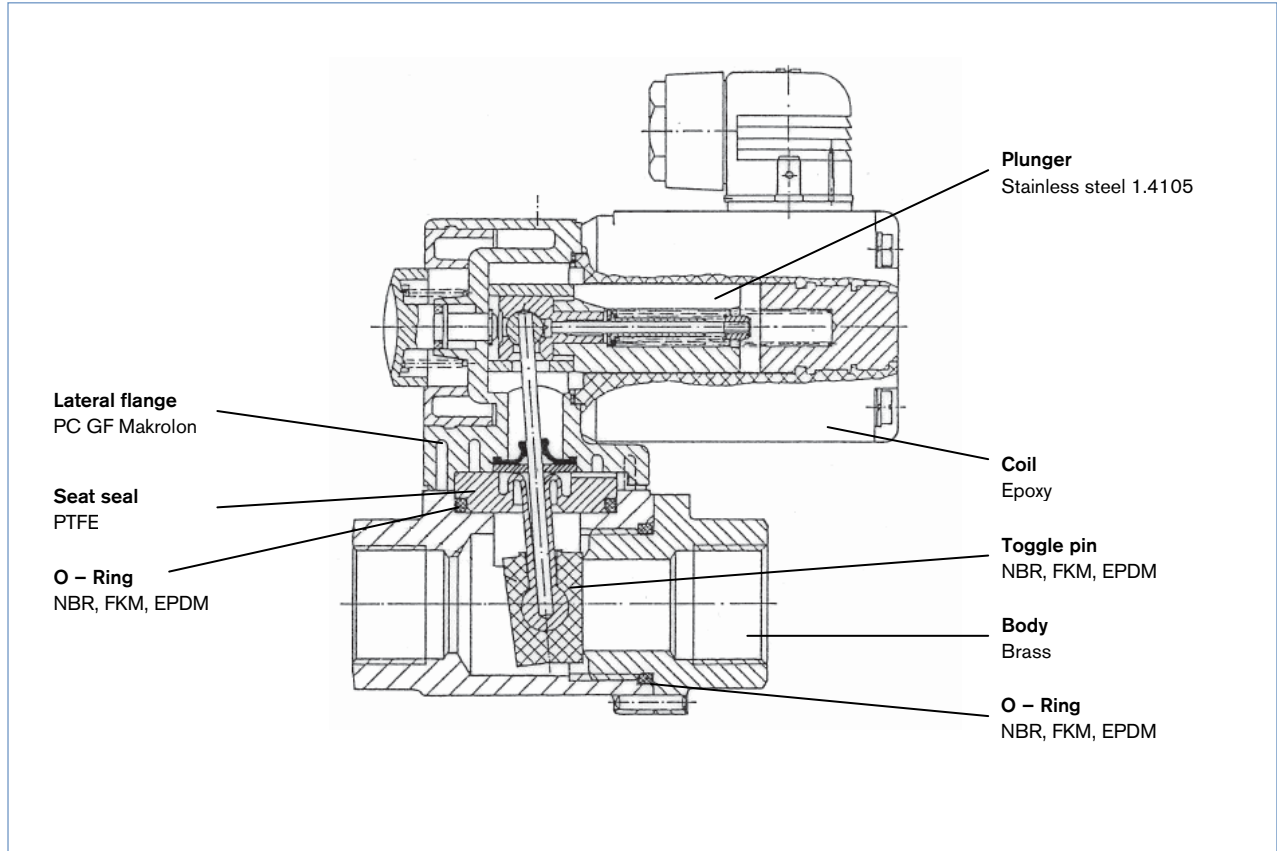
Measured as overpressure to the atmospheric pressure

Technical data (fort.)

Orifice [mm]	Kv value water [m ³ /h]	Port connection	Pressure range [bar]	Electrical power consumption			Response times		Weight [kg]
				Inrush	[VA]	Opening	closed		
10	2.0	G 3/8	0-3	AC UC	100 VA 100 W	48 VA (16 W)9 W	10 to 20	40 to 60	1.4
15	4.5	G 1/2	0-1						
20	6.0	G 3/4	0-0.5 *						

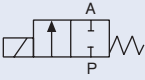
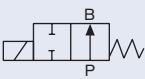
* not suitable for vakuüm operations

Materials



Ordering chart for valves (other versions on request)

All valves with manual override, brass body, and with cable plug

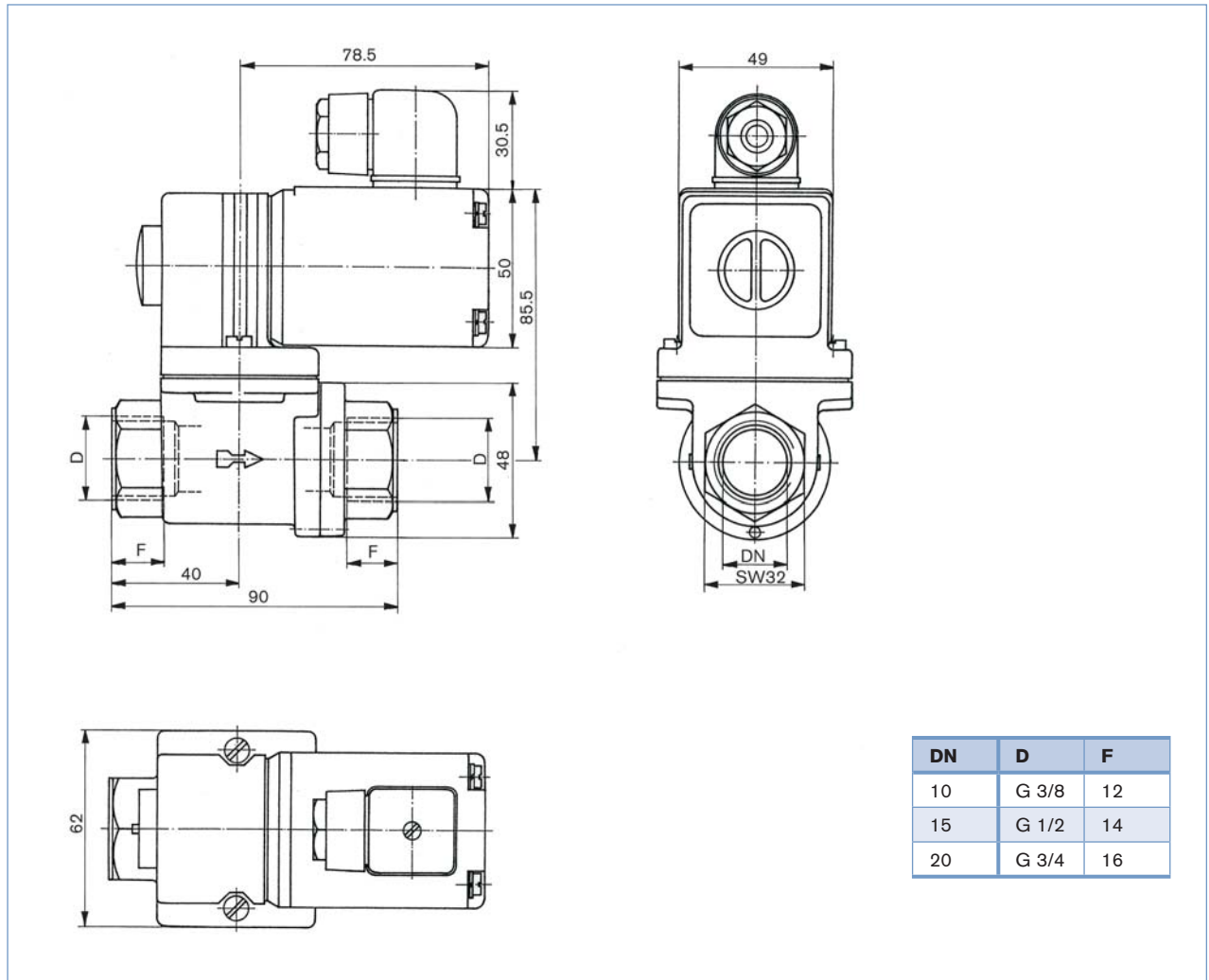
Circuit function	Orifice [mm]	Port connection	Kv value water [m ³ /h]	Pressure range [bar]	Seal material	Voltage/Frequency [V/Hz]	Item no.					
A 	10	G 3/8	2.0	0-3	NBR	24/UC	057 475					
						24/50	043 047					
						230/50	053 059					
					FKM	24/UC	054 053					
						24/50	048 664					
						230/50	044 502					
	15	G 1/2	4.5	0-1	NBR	24/UC	054 102					
						24/50	062 865					
						230/50	052 221					
					FKM	24/UC	025 537					
						230/50	040 549					
						24/UC	049 751					
20 *	G 3/4	6.0	0-0.5	NBR	24/UC	049 751						
					24/50	063 602						
					230/50	048 490						
				FKM	24/UC	069 752						
					24/50	048 662						
					230/50	048 622						
B 	10	G 3/8	2.0	0-2	NBR	24/UC	059 208					
						230/50	051 685					
						FKM	24/UC	062 679				
					FKM	230/50	057 458					
						15	G 1/2	4.5	0-1	NBR	24/UC	058 371
											230/50	046 466
	FKM	24/UC	059 360									
	FKM	230/50	122 747									
		20 *	G 3/4	6.0	0-0.5					NBR	24/UC	050 461
											230/50	053 807
	FKM					24/UC	067 856					
	FKM					230/50	049 527					

* versions with orifice 20mm are not suitable for vacuum

 Further versions on request

 Electrical connection
with electrical position feedback

Dimensions [mm]



To find your nearest Bürkert facility, click on the orange box →

www.burkert.com