

BUILD A BETTER BAR

PERFECTA POUR®

1/3 HP & 5/8 HP GLYCOL POWER PACKS

• COLD-BLAST SERIES •



BR58



THE INDUSTRIES MOST EFFICIENT AND EFFECTIVE GLYCOL CHILLERS

BR36 - 1/3 HP UNIT - AIR COOLED
SYSTEM LENGTH COOLING CAPACITY - 225'

BR58 - 5/8 HP UNIT - AIR COOLED
SYSTEM LENGTH COOLING CAPACITY - 375'

BR58W - 5/8 HP UNIT - WATER COOLED
SYSTEM LENGTH COOLING CAPACITY - 400'

Banner's Cold-Blast series glycol power packs use our high efficiency, Flatplate evaporator that increases total BTUH output by a minimum of 10%. These units are designed for ventilated, high heat conditions with maximum BTUH output. The unique 3/4" glycol distribution manifold allows for maximum glycol flow rates through the fully insulated Flatplate.

FEATURES:

- 3 GALLON SEALED BATH WITH EASILY ACCESSIBLE 5" HOLE FOR FILLING AND INSPECTION - ELIMINATES CONDENSATION & EVAPORATION -
- FRONT PANEL DIGITAL THERMOSTAT CONTROL
- ILLUMINATED GREEN ROCKER SWITCHES FOR EACH PUMP-MOTOR ASSEMBLY
- INDEPENDENT DIGITAL LED THERMOMETERS FOR EACH PUMP RETURN TEMPERATURE
- BUILT-IN FILTER TRACK ACCOMMODATES A DISPOSABLE AIR FILTER
- SLIDE-OFF REMOVABLE FRONT CAGE ALLOWS EASY ACCESS TO SERVICE VALVES AND ELECTRICAL TOWER
- 404A REFRIGERANT GAS - THERMAL EXPANSION VALVE - SITE GLASS - RECEIVER
- AVAILABLE WITH ONE OR TWO PUMP-MOTOR ASSEMBLIES
- STANDARD 1/3 HP MOTOR AND 100 GPH PUMP
- NYLON PUMP-MOTOR COUPLER - REDUCES HEAT TRANSFER AND WEAR BETWEEN PUMP-MOTOR ASSEMBLY

All Perfecta Pour® glycol power packs include a 90 day labor and one year parts and compressor warranty. Three year extended compressor warranty available for an additional charge.

BANNER

1370 Bungalow Road, Morris, Illinois 60450
Phone (815) 941-9600 Fax (815) 941-9700
WWW.BANNERBEER.COM

800-621-4625

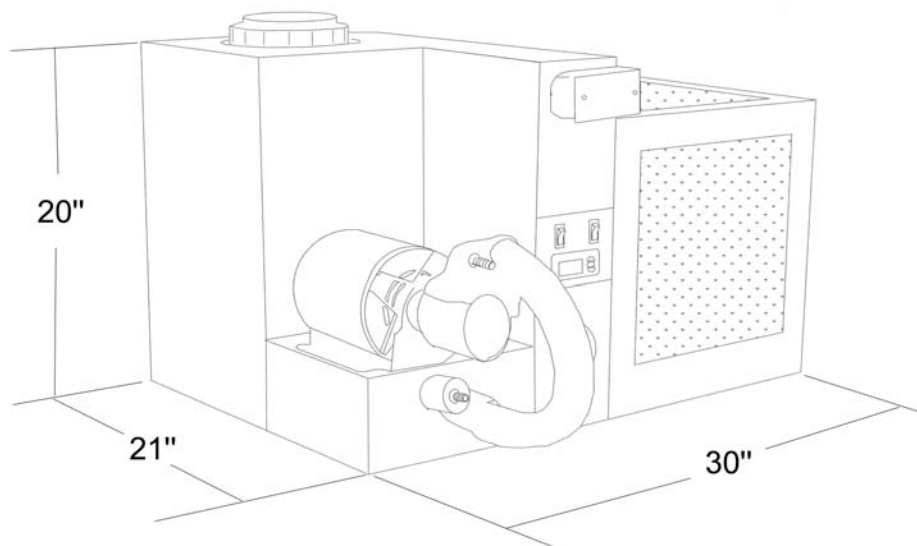
PERFECTA POUR®

1/3 HP & 5/8 HP GLYCOL POWER PACKS

Specifications:

Part No. Model No.	BR36 60835A	BR36DP 60835ADP	BR58 60858	BR58DP 60858DP	BR58W 60858W	BR58WDP 60858WDP
Maximum Distance	225 feet	225 feet	375 feet	375 feet	400 feet	400 feet
Safety Listings	ETL	ETL	ETL	ETL	ETL	ETL
Pump-Motor Assemblies	1	2	1	2	1	2
Electrical	115 VAC, 60 Hz	115 VAC, 60 Hz	115 VAC, 60 Hz	115 VAC, 60 Hz	115 VAC, 60 Hz	115 VAC, 60 Hz
Maximum Operating Amps	20	20	20	30	20	30
Required Fuse Size - Dedicated	20 Amp.	20 Amp.	20 Amp.	30 Amp.	20 Amp.	30 Amp.
Compressor HP	1/3	1/3	5/8	5/8	5/8	5/8
Condenser Type	Air Cooled	Air Cooled	Air Cooled	Air Cooled	Water Cooled	Water Cooled
Evaporator Rating: <i>14° Evaporator, 90° Ambient</i>	3000 BTUH	3000 BTUH	5000 BTUH	5000 BTUH	5400 BTUH	5400 BTUH
Heat Rejection	3866 BTUH	3866 BTUH	6500 BTUH	6500 BTUH	N/A	N/A
Refrigerant	404A	404A	404A	404A	404A	404A
Condenser Water Inlet Temp.	N/A	N/A	N/A	N/A	50°	50°
Water Connection	N/A	N/A	N/A	N/A	1/2" barb	1/2" barb
Water Usage - Maximum GPM	N/A	N/A	N/A	N/A	1.3	1.3
Water Pressure Drop - psi.	N/A	N/A	N/A	N/A	0.8	0.8
Approximate Shipping Weight	135 lbs.	160 lbs.	135 lbs.	160 lbs.	135 lbs.	160 lbs.
Overall Dimensions*	30"W 21"D 20"H	30"W 21"D 20"H	30"W 21"D 20"H	30"W 21"D 20"H	30"W 21"D 20"H	30"W 21"D 20"H

* Pump assembly extends 9" beyond base footprint on the depth of the unit.



BANNER

1370 Bungalow Road, Morris, Illinois 60450
Phone (815) 941-9600 Fax (815) 941-9700
WWW.BANNERBEER.COM

800-621-4625