

2/2-way Solenoid Valve for neutral media up to +180°C, G 1/2 - G 2, flange



Type 0407 can be combined with...



Type 2508

Cable plug



Type 1078

Timer unit



Type 2511

ASI cable plug

- Servo-piston with forced lifting
- Switches without differential pressure
- Temperatures up to + 180°C
- For neutral media, incl. steam
- Push-over coil system

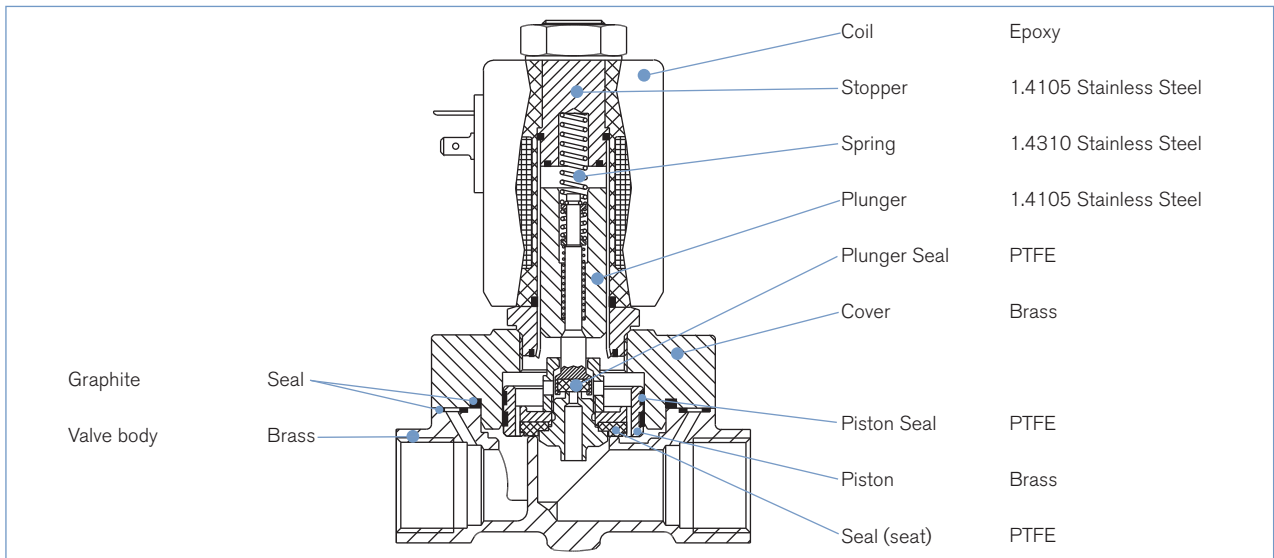
The Type 0407 is a pilot controlled solenoid valve with servo-piston and forced valve lifting, and is suitable for media temperatures up to +180°C. The valve opens without differential pressure from zero bar, and is closed by its own media pressure and spring force without power supply.

Technical data

Orifice	DN 13 - 50 mm
Body material	Brass (grey cast iron on request)
Coil material	Epoxy
Coil insulation class	H
Seal material	PTFE/graphite
Media	Neutral media such as hot water and steam
Media temperature	-20 to +180 °C
Ambient temperature	Max. +55 °C
Viscosity	Max. 21 mm ² /s
Voltage tolerance	±10%
Duty cycle	100% continuous rating
Electrical connection	Cable plug for Ø 7 mm cable, acc. to DIN EN 175301-803 Form A (supplied as standard)
Protection class	IP 65 with cable plug
Installation	As required, preferably with actuator upright

Orifice DN [mm]	Power consumption		
	Inrush AC [VA]	Hold (hot coil) AC [VA/W] UC [W]	
13 - 40	100	35/14	–
50	–	–	30

Materials



Ordering chart for valves (other versions on request)

Brass body, with cable plug

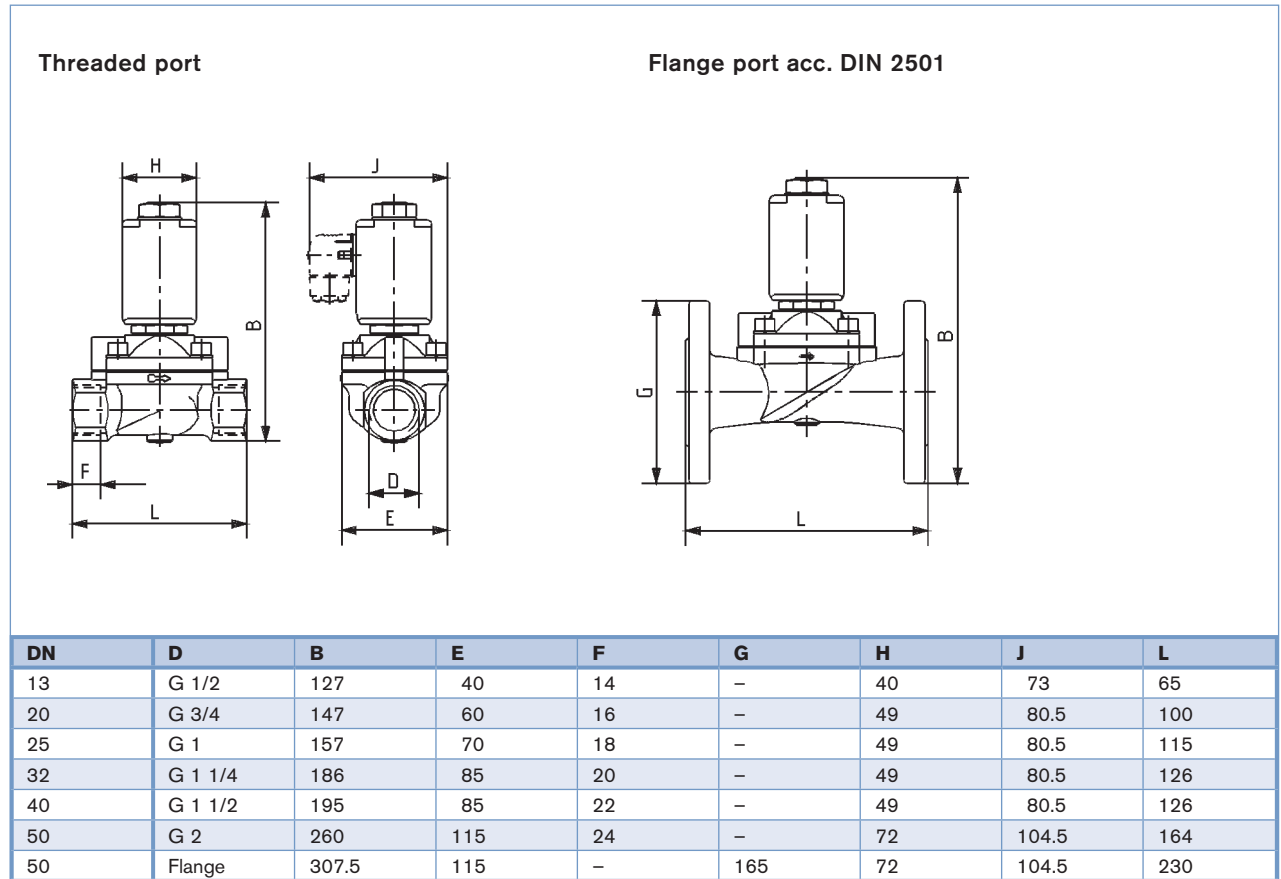
Circuit function	Port connection	Orifice [mm]	Kv value water [m³/h] ¹⁾	Pressure range [bar] ²⁾	Item no. per voltage/frequency [V/Hz]		
					024/50	230/50	230/UC ³⁾
A 2/2-way valve NC 	Brass body, seal material PTFE/graphite						
	G 1/2	13	3.7	0 - 10	021 598	615 637	-
	G 3/4	20	5.0	0 - 10	022 032	615 157	-
	G 1	25	10.0	0 - 10	021 620	615 638	-
	G 1 1/4	32	16.0	0 - 10	085 385	064 919	-
	G 1 1/2	40	16.0	0 - 10	085 392	085 394	-
	G 2	50	36.0	0 - 10	-	-	085 402

¹⁾ Measured at +20 °C, 1 bar²⁾ pressure at valve inlet and free outlet.
²⁾ Pressure data [bar]: Overpressure with respect to atmospheric pressure
³⁾ With integrated rectifier in cable plug

i Further versions on request

- Voltage**
110/50, 24 V DC, non-standard voltages
- Port connection**
NPT- thread, flange body acc. to DIN 2501
- Approvals**
UL / CSA approval

Dimensions [mm]



To find your nearest Bürkert facility, click on the orange box →

www.burkert.comIn case of special application conditions,
please consult for advice.Subject to alteration.
© Christian Bürkert GmbH & Co. KG

0908/1_EU-en_00891630