

# UZ 964 Ergoclean

---

Model:  
UZ 964 ERGOCLEAN  
NILFISK



Part List English

15-03-2011

# Table of Contents

UZ 964 Ergoclean

|                                |           |
|--------------------------------|-----------|
| <b>All parts</b>               | <b>3</b>  |
| <b>Fan units, cord</b>         | <b>6</b>  |
| <b>Nozzles and hose</b>        | <b>8</b>  |
| <b>RECOMMENDED SPARE PARTS</b> | <b>10</b> |

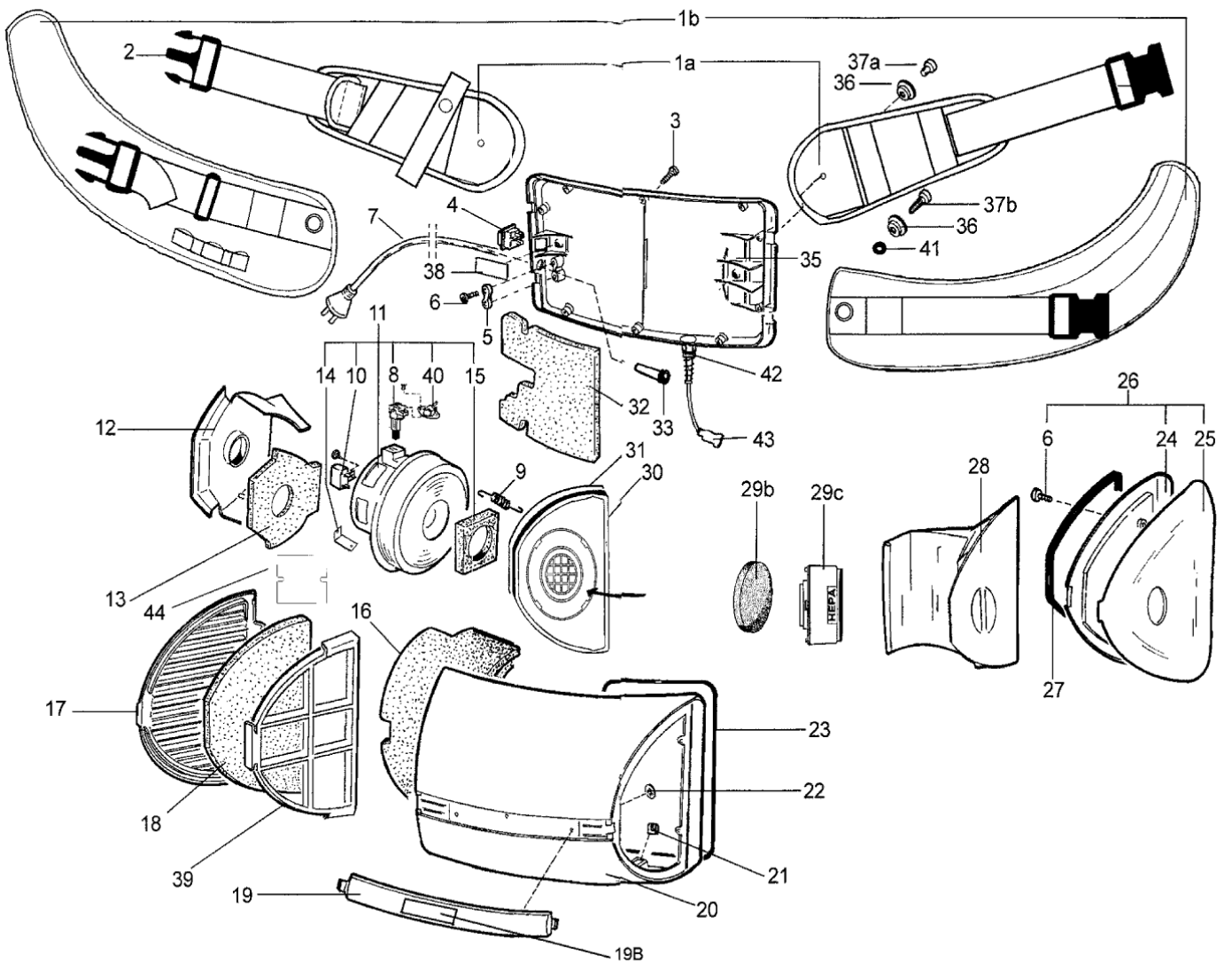
# All parts

UZ 964 Ergoclean

15-03-2011

Part List ID B1613

3



# All parts

## UZ 964 Ergoclean

15-03-2011

Part List ID B1613

4

| Pos | Part no.     | Qty | Description                                | EAN        |
|-----|--------------|-----|--|------------|
| 2   | 140 7074 000 | 1   | CLASP CPL                                  | 7319519471 |
| 3   | 140 9214 150 | 10  | SCREW PT K40X30                            | 7319519418 |
| 4   | 140 5496 510 | 1   | SWITCH UL KIT INSULTATION COVER INCLUDE    | 7319519631 |
| 5   | 056 1014 060 | 1   | TRIPPER                                    | 7319519352 |
|     |              |     | Machine outphased 2005                     |            |
| 5   | 140 6560 500 | 1   | ANTI STRAIN CLIP                           | 7319519640 |
| 6   | 140 9214 040 | 4   | SCREW                                      | 7319519418 |
| 8   | 140 9885 000 | 2   | CARBON BRUSH UZ 964 400Hz                  | 7319519421 |
| 8   | 142 0947 000 | 2   | CARBON BRUSH UZ964                         | 7319519434 |
|     |              |     | not for Ametek motors - see TSB SE-2003-05 |            |
| 8   | 142 0947 010 | 2   | CARBON BRUSH FOR 115-120V                  | 7319519434 |
|     |              |     | not for Ametek motors - see TSB SE-2003-05 |            |
| 8   | 142 0947 020 | 2   | CARBON BRUSH                               | 7319519434 |
|     |              |     | not for Ametek motors - see TSB SE-2003-05 |            |
| 9   | 140 6792 000 | 4   | SPRING                                     | 7319519401 |
| 9   | 140 6792 010 | 2   | SPRING                                     | 7319519401 |
|     |              |     | US/CANADA ONLY                             |            |
| 10  | 140 6916 000 | 1   | SUPPRESSOR                                 | 7319519403 |
| 10  | 140 8166 010 | 1   | CAPACITOR                                  | 7319519603 |
| 11  |              | 1   | USE LINK                                   |            |
| 12  | 140 6633 000 | 1   | MUFFLER                                    | 7319519399 |
| 12  | 140 6633 010 | 1   | SILENCER UL-APPROVED                       | 7319519399 |
| 13  | 140 6558 000 | 1   | INSULATION MUFFLER                         | 7319519398 |
| 15  | 140 6791 000 | 1   | GASKET                                     | 7319519401 |
| 16  | 140 6556 000 | 1   | INSULATION COVER                           | 7319519398 |
| 17  | 140 6448 000 | 1   | EXHAUST GABLE                              | 7319519396 |
| 17  | 140 6448 030 | 1   | EXHAUST GABLE GREY                         | 7319519503 |
| 17  | 140 6448 040 | 1   | EXHAUST GABLE ALTOBLUE                     | 7319519653 |
| 18  | 140 6597 500 | 1   | EXHAUST FILTER 964 1500 3 PK               | 7319519659 |
| 19  | 140 6426 030 | 1   | COVER STRIP, GREY                          | 7319519503 |
| 1A  | 140 7343 000 | 1   | BELT CPL ERGOCLEAN                         | 7319519408 |
| 1B  | 140 7343 000 | 1   | BELT CPL ERGOCLEAN                         | 7319519408 |
| 20  | 140 6443 020 | 1   | COVER BLUE UL-APPROVED                     | 7319519396 |
| 20  | 140 6443 040 | 1   | COVER, GREY                                | 7319519503 |
| 20  | 140 6443 050 | 1   | COVER, GREY UL-APPROVED COVER, GREY        | 7319519601 |
| 20  | 140 6443 060 | 1   | COVER ALTOBLUE UL-APPR.                    | 7319519653 |
| 21  | 140 6796 000 | 6   | E-CLIP                                     | 7319519401 |
| 22  | 140 6797 000 | 3   | NUT  | 7319519401 |
| 23  | 140 6798 000 | 1   | GASKET                                     | 7319519401 |
| 24  | 140 6446 000 | 1   | INNER SUCT. GABLE                          | 7319519396 |
| 24  | 140 6446 030 | 1   | INNER SUCT.GABLE, GREY                     | 7319519503 |
| 24  | 140 6446 040 | 1   | INNER SUCTION GABLE ALTOBLUE               | 7319519653 |
| 25  | 140 6447 000 | 1   | OUTER SUCT. GABLE                          | 7319519396 |
| 25  | 140 6447 030 | 1   | OUTER SUCT. GABLE, GREY                    | 7319519601 |
| 25  | 140 6447 040 | 1   | OUTER SUCTION GABLE                        | 7319519653 |
| 26  | 140 6699 000 | 1   | SUCTIONACC CPL. 230V                       | 7319519400 |

**NOTES:**

Pos. 1A+14+19+19+35(140 6444 020)+43(140 7311 000) will be depleted when no longer on stock

# All parts

## UZ 964 Ergoclean

15-03-2011

Part List ID

B1613

5

| Pos | Part no.     | Qty | Description   | EAN        |
|-----|--------------|-----|---|------------|
| 26  | 140 6699 030 | 1   | SUCTION GABLE COMPLETE,GR EY                        | 7319519503 |
| 27  | 140 7302 000 | 1   | GASKET L=514  | 7319519407 |
| 28  | 140 6554 010 | 1   | DUST BAG 5 PK 964 1500                              | 7319519398 |
| 28  | 140 6554 020 | 1   | DUST BAG 10-P UZ 964                                | 7319519398 |
| 28  | 140 6554 040 | 1   | DUST BAG 5-PACK HIGH FILTRATION                     | 7319519398 |
| 28  | 140 6554 050 | 1   | DUST BAG 10 PK HIGH FILTRATION                      | 7319519398 |
| 29  | 140 5666 000 | 1   | GASKET  | 7319519388 |
| 30  | 140 7148 000 | 1   | PARTITION WALL                                      | 7319519406 |
| 30  | 140 7148 010 | 1   | PARTITION WALL UL APPROVED                          | 7319519406 |
| 31  | 140 6799 000 | 1   | GASKET  | 7319519401 |
| 32  | 140 6557 000 | 1   | INSULATION BACK                                     | 7319519398 |
| 33  | 140 7035 500 | 1   | PROTECTION SLEEVE KIT SLEEVE AND ANTI STRAIN CL     | 7319519631 |
| 33  | 140 7035 510 | 1   | PROTECTION SLEEVE US KIT                            | 7319519631 |
| 35  | 140 6444 000 | 1   | BACK PART   | 7319519396 |
| 35  | 140 6444 040 | 1   | BACK PART BLUE UL-APPR.W.HOLE                       | 7319519396 |
| 35  | 140 6444 050 | 1   | BACK PART, GREY                                     | 7319519503 |
| 35  | 140 6444 060 | 1   | BACK PART, GREY, UL-APPROVED                        | 7319519503 |
| 35  | 140 6444 070 | 1   | BACK PART ALTOBLUE UL-APPR.                         | 7319519653 |
| 35  | 140 6906 000 | 1   | BACK PART CPL BLUE                                  | 7319519403 |
| 35  | 140 6906 020 | 1   | Back Part Cpl Blue UL-APP                           | 7319519403 |
| 35  | 140 6906 030 | 1   | BACK PART CPL GREY NILFISK                          | 7319519609 |
| 35  | 140 6906 040 | 1   | BACK PART CPL GREY UL-APPR. N                       | 7319519609 |
| 35  | 140 6906 050 | 1   | BACK PART CPL BLUE UL-APPROVED                      | 7319519609 |
| 36  | 140 7696 000 | 2   | WASHER  | 7319519611 |
| 38  | 140 5358 000 | 1   | INSULATION  | 7319519386 |
| 39  | 140 6824 000 | 1   | FILTER HOLDER                                       | 7319519402 |
| 40  | 140 3894 500 | 1   | THERMO PROTECTION KIT SCREW AND WIRE INCLUDED       | 7319519631 |
| 42  | 140 5674 010 | 1   | CONNECT.W.SLEEVE ONLY 905 2419                      | 7319519474 |
| 43  | 140 7692 000 | 1   | OUTLET FOR P.NOZ.ONLY 905 2420                      | 7319519491 |
| 44  | 140 7691 000 | 1   | INSULAT.PLATE,110V AIRPL. MODEL                     | 7319519490 |
| NI  | 140 5507 010 | 1   | CARTON W. PRINT UZ964 N-A CARTON W. PRINT UZ964 N-A | 7319519505 |
| 19B | 140 7769 000 | 1   | DEKAL NILFISK UZ 964 BY N-A.                        | 7319519503 |
| 29B | 140 6794 010 | 1   | PREFILTER   | 7319519401 |
| 29C | 140 7160 010 | 1   | HEPA FILTER CPL                                     | 7319519406 |
| 37A | 140 6559 000 | 2   | SCREW   | 7319519398 |
| 37B | 140 6559 010 | 2   | SCREW   | 7319519470 |

**NOTES:**

Pos. 1A+14+19+19+35(140 6444 020)+43(140 7311 000) will be depleted when no longer on stock

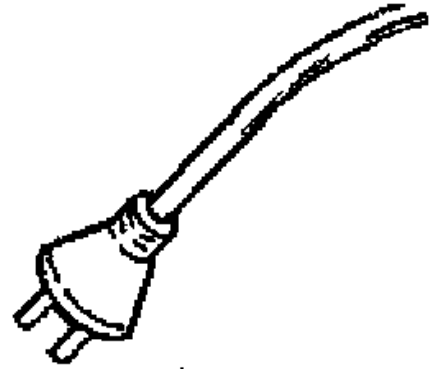
# Fan units, cord

UZ 964 Ergoclean

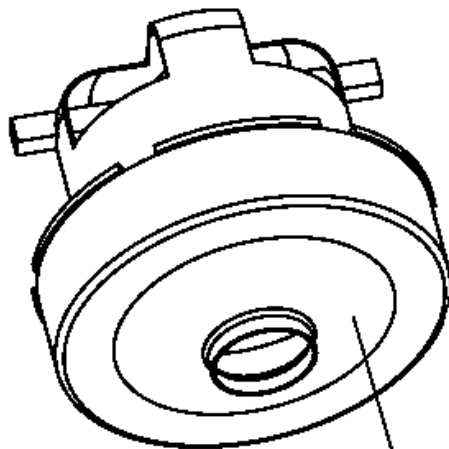
15-03-2011

Part List ID B1617

6



7



11B

# Fan units, cord

UZ 964 Ergoclean

15-03-2011

Part List ID

B1617

7

| Pos | Part no.     | Qty | Description                 |   | EAN        |
|-----|--------------|-----|-----------------------------|---|------------|
| 0   | 140 6894 000 | 1   | RECTIFIER                   | for 120V                                    | 7319519403 |
| 7   | 107401390    | 1   | CORD SET CN 15.5M - KIT     | CN only                                     | 7319519677 |
| 7   | 140 3608 070 | 1   | CORD SET 20M US/CA          |   | 7319519655 |
| 7   | 140 3608 080 | 1   | CORD SET TW 2C 15.5M YELLOW |   | 7319519656 |
| 7   | 140 3859 630 | 1   | CORD SET KIT UZ964 US/TW    |   | 7319519661 |
| 7   | 140 6423 500 | 1   | CORD EU L=15M               |   | 7319519631 |
| 7   | 140 6423 520 | 1   | CORD KIT CH L 15M           |   | 7319519631 |
| 7   | 140 6423 530 | 1   | CORD UK L=15M               |   | 7319519631 |
| 7   | 140 6423 570 | 1   | CORD JP L 15M               |   | 7319519631 |
| 7   | 140 6676 520 | 1   | CORD CPL. L 15M AU/NZ KIT   |   | 7319519632 |
| 7   | 140 6702 500 | 1   | CORD SET JP 15.5M           |   | 7319519651 |
| 11B | 147 1120 500 | 1   | FAN UNIT KIT 700W 230-240   | Ametek - from Oct.2006, see TSB SE-2006-005 | 7319519660 |
| 11B | 147 1120 510 | 1   | FAN UNIT KIT 700W 120V      | Ametek - from Oct.2006, see TSB SE-2006-005 | 7319519660 |
| 11B | 147 1120 520 | 1   | FAN UNIT KIT 700W 100V      | Ametek - from Oct.2006, see TSB SE-2006-005 | 7319519660 |
| 11B | 147 1120 540 | 1   | FAN UNIT KIT 1000W 120V     | Ametek - from Oct.2006, see TSB SE-2006-005 | 7319519660 |
| 11B | 147 1134 500 | 1   | FAN UNIT KIT 400HZ          | Ametek - from Oct.2006, see TSB SE-2006-005 | 7319519660 |

NOTES: NEW FAN UNIT FOR UZ 964.

In order to make the replacement from old type of fan unit into new fan, as easy as possible, the fan units are to be delivered as a spare part kit, with silencer, wires and instruction. For more information see also TSB SE 2001-008

Pos.No.: 11 - will be depleted when no longer on stock

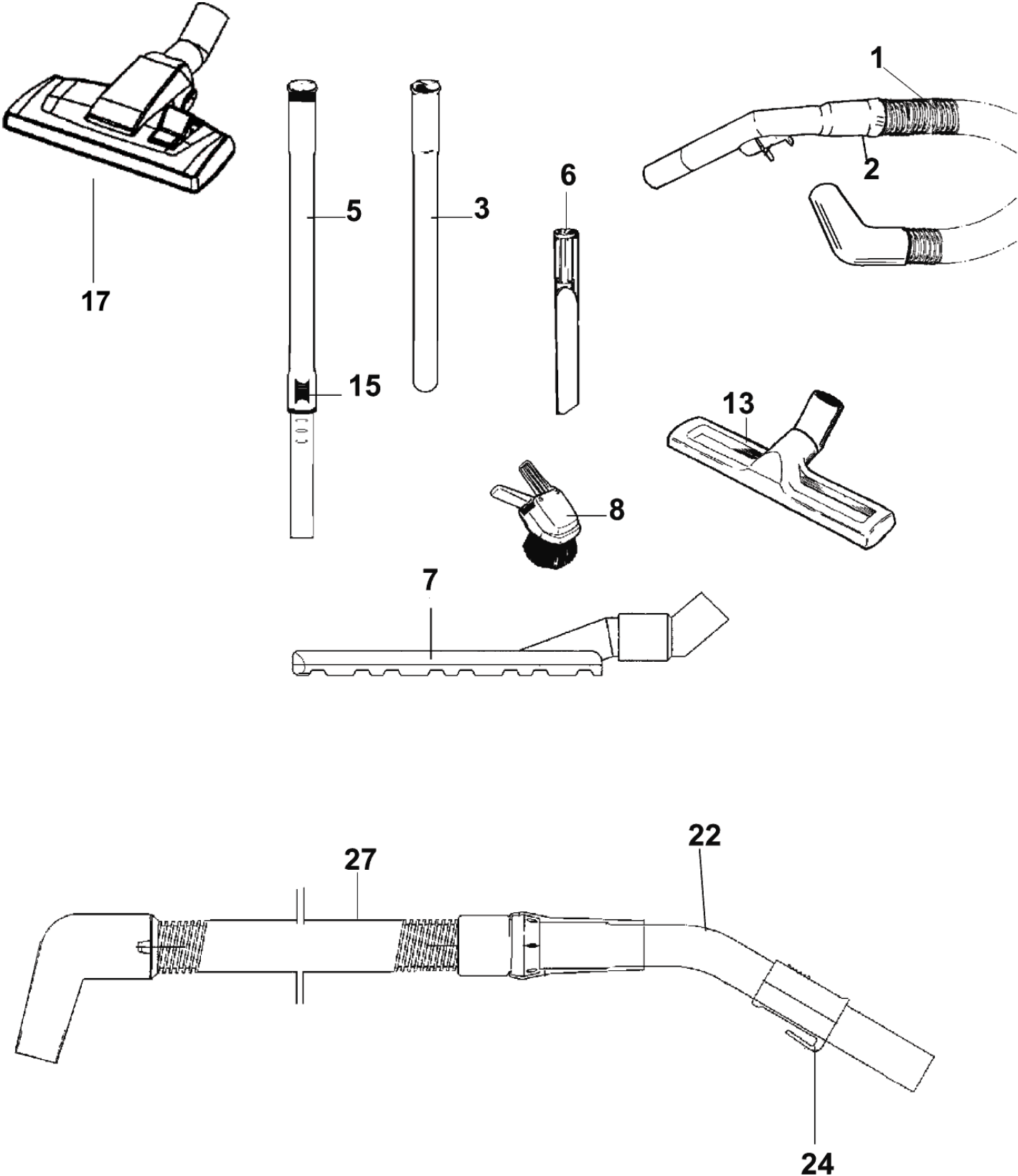
# Nozzles and hose

UZ 964 Ergoclean

15-03-2011

Part List ID  
B1619

8





# Nozzles and hose

UZ 964 Ergoclean

15-03-2011

Part List ID

B1619

9

| Pos | Part no.     | Qty | Description                               | EAN        |
|-----|--------------|-----|---|------------|
| 1   | 140 5691 000 | 1   | HOSE CPL. UZ 964                          | 7319519389 |
| 1   | 140 7082 000 | 1   | HOSE WITH SLEEVE                          | 7319519405 |
| 2   | 140 7584 500 | 1   | HANDLE CPL. HOSE HANDLE FOR 32 MM HOS     | 7319519631 |
| 3   | 011 6431 500 | 2   | TUBE 32MM X 500MM LONG                    | 7319519631 |
| 5   | 011 8130 500 | 1   | TELESCOPIC TUBE 32MM                      | 7319519631 |
| 6   | 010 3098 500 | 1   | CREVICE NOZZLE                            | 7319519629 |
| 7   | 140 7547 500 | 1   | PADDLE NOZZLE                             | 7319519665 |
| 8   | 011 3104 500 | 1   | SMALL COMBI NOZZLE ROUND BRUSH/UPHOLSTERY | 7319519629 |
| 13  | 140 6700 540 | 1   | HARD FLOOR NOZZLE                         | 7319519636 |
| 17  | 140 8492 520 | 1   | COMBI NOZZLE                              | 7319519636 |
| 22  | 140 5116 500 | 1   | HOSE HANDLE ALU/RUBBER DI PACKED IN A BAG | 7319519632 |
| 24  | 010 9614 080 | 1   | RETAINER                                  | 7319519349 |
| 27  | 140 8070 000 | 1   | HOSE CPL.                                 | 7319519611 |

# RECOMMENDED SPARE PARTS

UZ 964 Ergoclean

15-03-2011

Part List ID

B1621

10

No Drawing For Part List

# RECOMMENDED SPARE PARTS

UZ 964 Ergoclean

15-03-2011

Part List ID

B1621

11

| Pos | Part no.     | Qty | Description                                   | EAN        |
|-----|--------------|-----|---|------------|
| 0   | 107401390    | 1   | CORD SET CN 15.5M - KIT                       | 7319519677 |
| 0   | 140 3608 070 | 1   | CORD SET 20M US/CA                            | 7319519655 |
| 0   | 140 3608 080 | 1   | CORD SET TW 2C 15.5M YELLOW                   | 7319519656 |
| 0   | 140 3859 630 | 1   | CORD SET KIT UZ964 US/TW                      | 7319519661 |
| 0   | 140 3894 500 | 1   | THERMO PROTECTION KIT SCREW AND WIRE INCLUDED | 7319519631 |
| 0   | 140 5496 510 | 1   | SWITCH UL KIT INSULTATION COVER INCLUDE       | 7319519631 |
| 0   | 140 6423 500 | 1   | CORD EU L=15M                                 | 7319519631 |
| 0   | 140 6423 520 | 1   | CORD KIT CH L 15M                             | 7319519631 |
| 0   | 140 6423 530 | 1   | CORD UK L=15M                                 | 7319519631 |
| 0   | 140 6423 570 | 1   | CORD JP L 15M                                 | 7319519631 |
| 0   | 140 6556 000 | 1   | INSULATION COVER                              | 7319519398 |
| 0   | 140 6597 500 | 1   | EXHAUST FILTER 964 1500 3 PK                  | 7319519659 |
| 0   | 140 6676 520 | 1   | CORD CPL. L 15M AU/NZ KIT                     | 7319519632 |
| 0   | 140 6702 500 | 1   | CORD SET JP 15.5M                             | 7319519651 |
| 0   | 140 6916 000 | 1   | SUPPRESSOR                                    | 7319519403 |
| 0   | 140 8166 010 | 1   | CAPACITOR                                     | 7319519603 |
| 0   | 140 9885 000 | 1   | CARBON BRUSH UZ 964 400Hz                     | 7319519421 |
| 0   | 142 0947 000 | 1   | CARBON BRUSH UZ964                            | 7319519434 |
| 0   | 142 0947 010 | 1   | CARBON BRUSH FOR 115-120V                     | 7319519434 |
| 0   | 142 0947 020 | 1   | CARBON BRUSH                                  | 7319519434 |
| 0   | 147 1120 500 | 1   | FAN UNIT KIT 700W 230-240                     | 7319519660 |
| 0   | 147 1120 510 | 1   | FAN UNIT KIT 700W 120V                        | 7319519660 |
| 0   | 147 1120 520 | 1   | FAN UNIT KIT 700W 100V                        | 7319519660 |
| 0   | 147 1120 540 | 1   | FAN UNIT KIT 1000W 120V                       | 7319519660 |
| 0   | 147 1134 500 | 1   | FAN UNIT KIT 400HZ                            | 7319519660 |