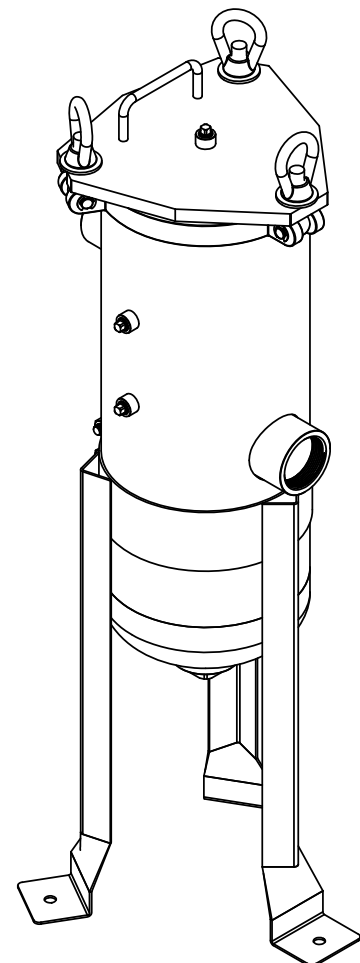


DESCRIPTION	GLOBAL FILTER MODEL NO.	DIM A (INCHES)	DIM B (INCHES)
FLTR HSG ASSY, 2" NPT SIBOSO, SIZE 1, CS, EPOXY COATED	GBFV8152N3C15EC	25.44	19.16
FLTR HSG ASSY, 2" NPT SIBOSO, SIZE 2, CS, EPOXY COATED	GBFV8302N3C15EC	41.88	34.38

BILL OF MATERIALS			
ITEM	DESCRIPTION	CS113-xx	
		-01 QTY	-02 QTY
1	FLTR HSG WLDMNT, 2" NPT SIBOSO GBFV8, SIZE 1 CS	1	
	FLTR HSG WLDMNT, 2" NPT SIBOSO GBFV8, SIZE 2 CS		1
2	LEG ASSEMBLY KIT, CS, GBFV8	1	1
3	CLEVIS PIN WITH RETAINING RINGS KIT	3	3
4	EYE BOLT, 5/8"-11 x 2 3/4" LONG	3	3
5	O-RING, -220, NITRILE 70	1	1
6	LID WELDMENT, CS, GBFV8	1	1
7	WASHER, FLAT, 5/8" ID x 1 3/4" OD x 1/8" THK	3	3
8	EYE NUT, 5/8"-11	3	3
9	BASKET, ROUND BOTTOM, SIZE 1, STD 304 SS	1	
	BASKET, ROUND BOTTOM, SIZE 2, STD 304 SS		1
10	WELDMENT, BASKET HOLD DOWN, CS, GBFV8	1	1
11	PIPE PLUG, 2" NPT HEX HEAD, 304 SS	1	1
12	PIPE PLUG, 1" NPT HEX HEAD, 304 SS	1	1
13	PIPE PLUG, 1/4" NPT HEX HEAD, 304 SS	3	3

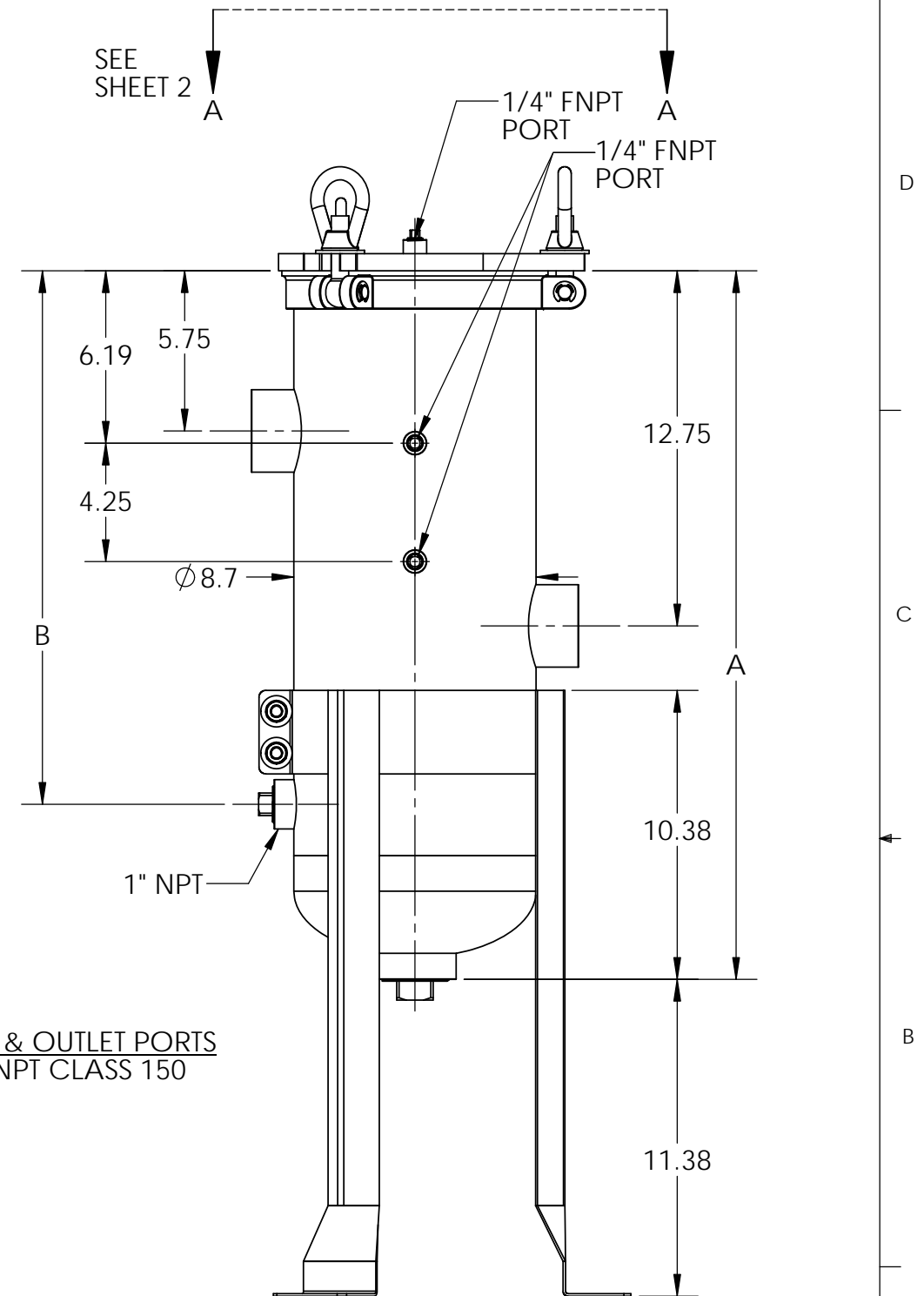
SHIPPING WEIGHT AND SIZE MAY DIFFER FROM STATED VALUES DUE TO PALLETIZING AND QUANTITY CONSIDERATIONS

VESSEL SIZE	BOXED WEIGHT (LBS)	BOX SIZE (INCHES)
SIZE 1	85	16 x 16 x 45
SIZE 2	90	16 x 16 x 50



SCALE 1:8

PROPRIETARY AND CONFIDENTIAL
 THE INFORMATION CONTAINED IN THIS DRAWING IS THE SOLE PROPERTY OF GLOBAL FILTER LLC. ANY REPRODUCTION IN PART OR AS A WHOLE WITHOUT THE WRITTEN PERMISSION OF GLOBAL FILTER LLC IS PROHIBITED.

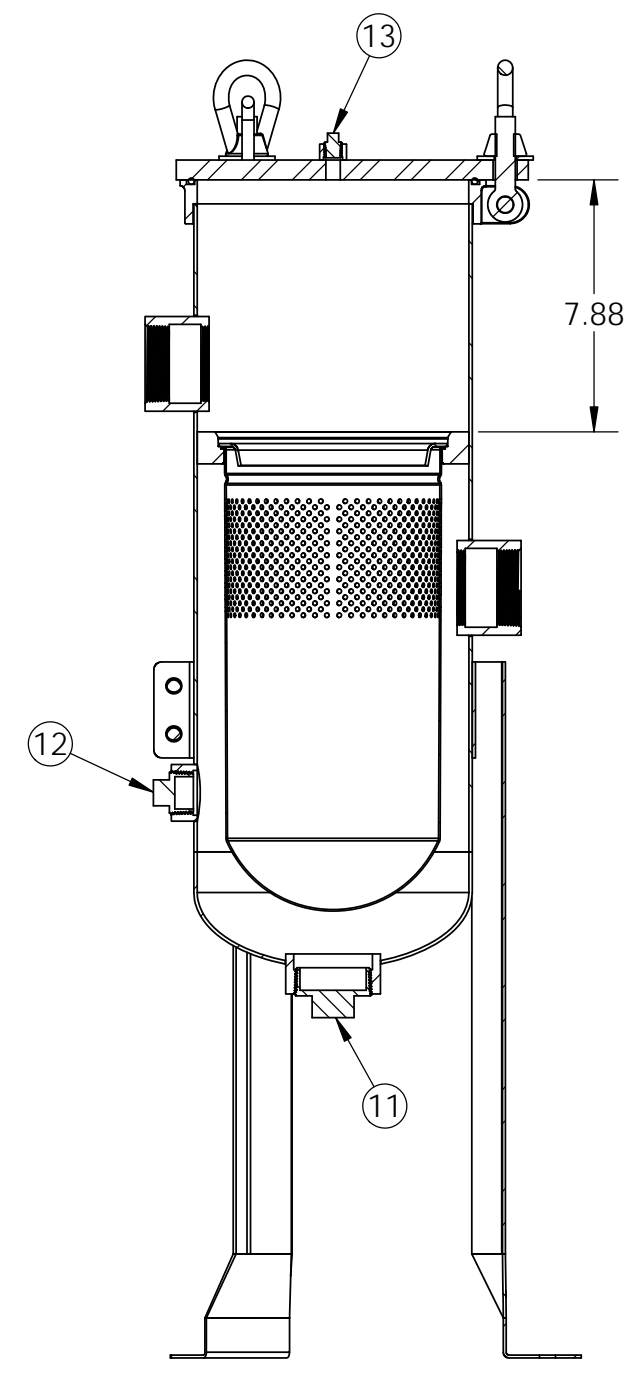
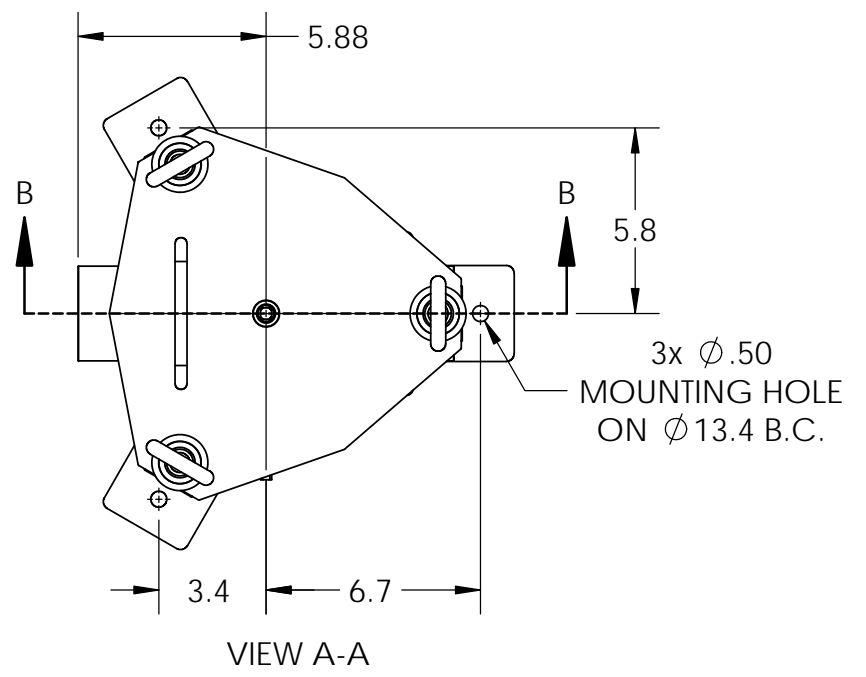
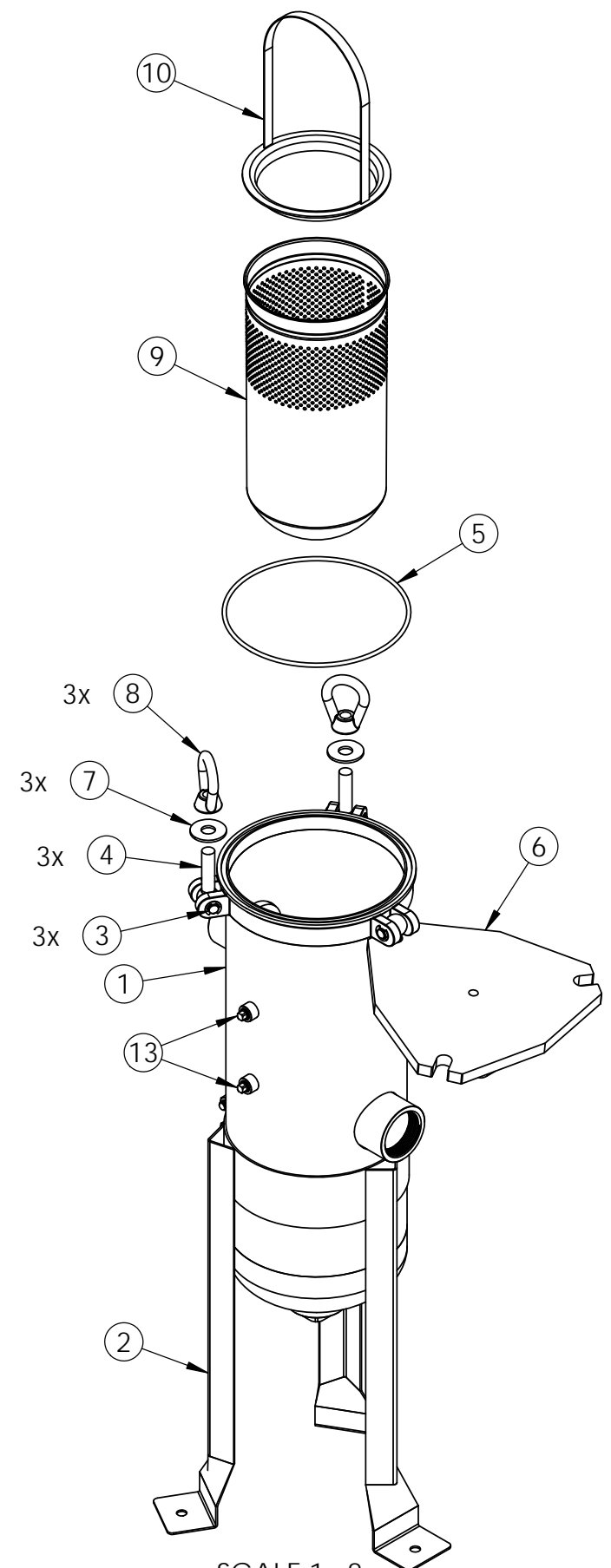


INLET & OUTLET PORTS
 2" NPT CLASS 150

REFERENCE ENGINEERING DRAWING 21166

				GLOBAL FILTER LLC	
		MATERIAL CARBON STEEL		SIZE B	
		FINISH EPOXY COATED		DWG. NO. CS113	
A	EC150318-01	DRAWN BY	ME	DATE	3-18-15
REV	EC NUMBER	ENG APPR.	EG	DATE	3-20-15
EC HISTORY		SCALE: 1:6		WEIGHT:	
				SHEET 1 OF 2	

NOTES:
 1. UNLESS TOLERANCES ARE INDICATED, ALL DIMENSIONS ARE REFERENCE.



SCALE 1 : 8

SECTION B-B

SIZE B	DWG. NO. CS113	REV A
SCALE: 1:6	WEIGHT:	SHEET 2 OF 2