

2/2-way Compact Diaphragm Valve, cast valve body, threaded port connection, G 1/4 - 3/4



- Hermetical separation of fluids from the actuator by diaphragm
- For contaminated, viscous or dirty fluids

Type 2031 Compact can be combined with...



Type 8697

Electrical position feedback



Type 8640/8644

Valve block



Type 6012/6014 P

Pilot valve



Type 8311

Pressure Sensor/ Switch

For process valves with decentralized automation see ELEMENT Type 2103

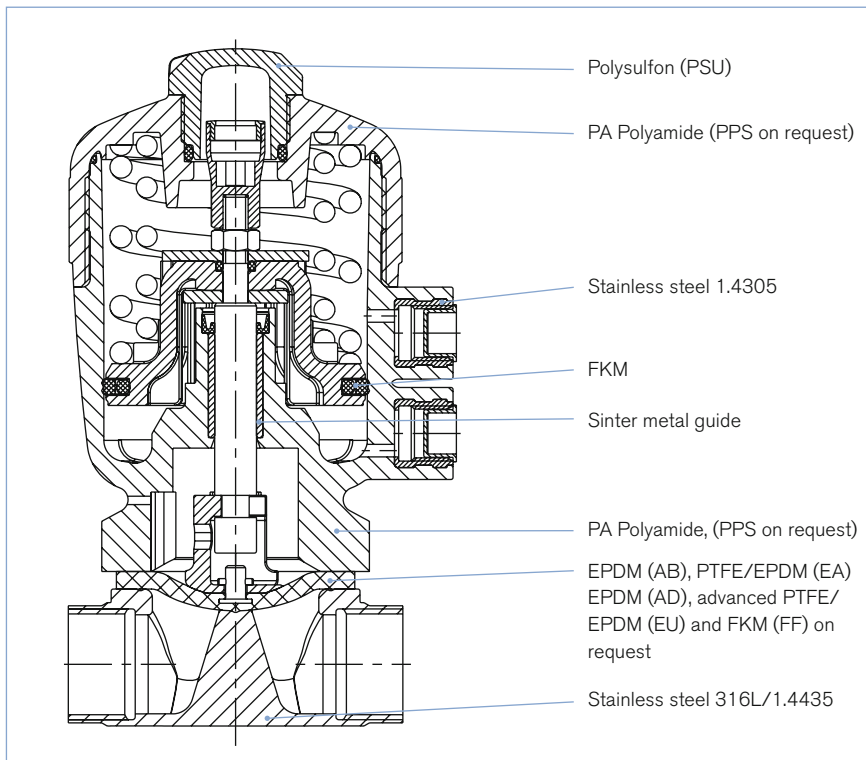


The externally piloted diaphragm valve consists of a pneumatically operated piston actuator, a diaphragm and a 2-way valve housing made of investment cast stainless steel.

The standard material of the actuator is PA polyamide. With its favourable flow characteristics, the valve enables high flow capacities and a variety of applications for contaminated, viscous or dirty fluids to be realised.

Technical data	
Port connection	Threaded ports ISO 228, G 1/4 - 3/4
Orifice	DN 15-20
Body material	Cast stainless steel 316 L/1.4435
Actuator material	PA polyamide
Pilot air ports	Stainless steel 1.4305
Diaphragm materials	EPDM (AB), PTFE/EPDM (EA) EPDM (AD), advanced PTFE/EPDM (EU) and FKM (FF) on request
Medium	Neutral gases and liquids, sterile, aggressive or abrasive fluids
Viscosity	Up to viscous
Media temperature	EPDM (AB), PTFE/EPDM (EA) -10 to +130 °C (steam sterilisation +140 °C for 60 min) EPDM (AD), advanced PTFE/EPDM (EU) -5 to +143 °C (steam sterilisation +150 °C for 60 min) FKM (FF) 0 to +130 °C (not recommended for steam)
Ambient temperature	-5 to +60 °C
Control medium	Neutral gases; air
Installation	As required, preferably with actuator in upright position

Materials



Ordering chart for valves (other versions on request)

Body with threaded port connection

Control function	Orifice [mm]	Port connection [inch]	Kv-value water [m³/h]	Actuator size Ø [mm]	Pilot pressure [bar]		Max. operating pressure [bar]	Item no.
					min.	max.		
A 2/2-way, normally closed (NC) 	EPDM seal (AB)							
	15	G 1/4"	4.0	D-50	5.0	10	8.5	445 417
	15	G 3/8"	4.0	D-50	5.0	10	8.5	445 418
	15	G 1/2"	4.0	D-50	5.0	10	8.5	445 419
	20	G 3/4"	7.0	E-63	5.5	10	10.0	558 712
	FKM seal (FF)							
	15	G 1/4"	4.0	D-50	5.0	10	8.5	445 420
	15	G 3/8"	4.0	D-50	5.0	10	8.5	445 421
	15	G 1/2"	4.0	D-50	5.0	10	8.5	445 422
	20	G 3/4"	7.0	E-63	5.5	10	10.0	558 714
	EPDM lined with PTFE seal (EA)							
	15	G 1/4"	4.0	D-50	7.0	10	8.5	442 835
	15	G 3/8"	4.0	D-50	7.0	10	8.5	444 148
	15	G 1/2"	4.0	D-50	7.0	10	8.5	442 834
	20	G 3/4"	7.0	E-63	8.5	10	10.0	558 713

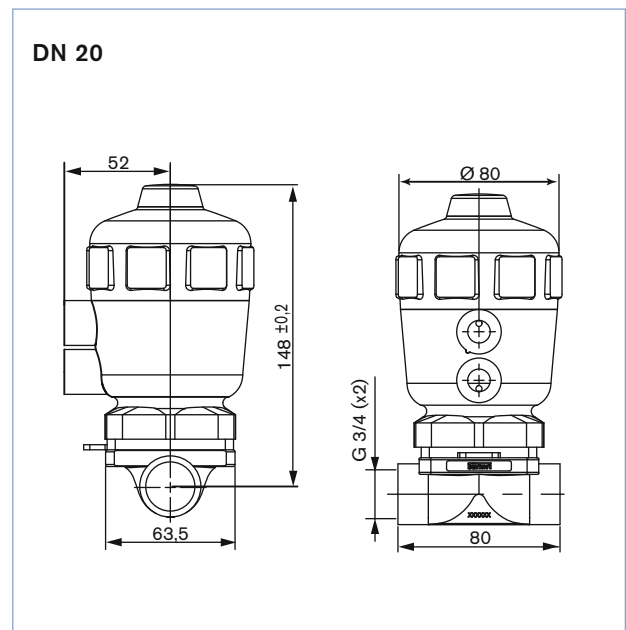
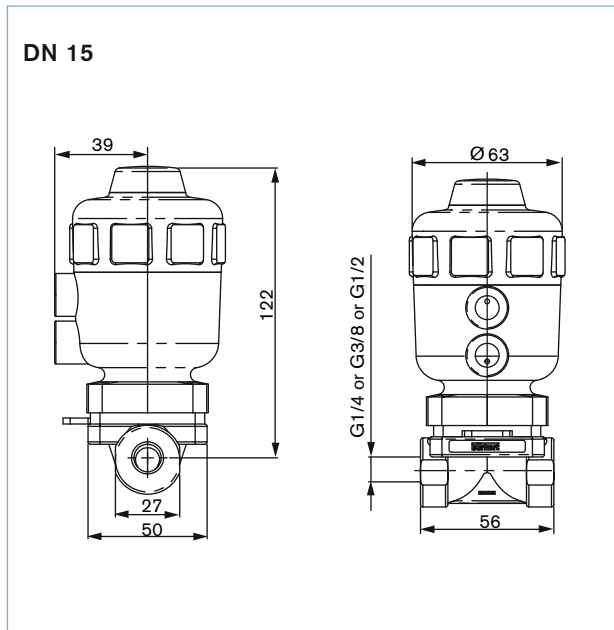
i Further versions on request

Control function
Normally open or double-acting

Material
Diaphragms for steam sterilization EPDM (AD), advanced PTFE / EPDM (EU) and FKM (FF)

DTS 1000113799 EN Version: B Status: RL (released | freigegeben | validé) printed: 04.05.2016

Dimensions [mm]



DTS 1000113799 EN Version: B Status: RL (released | freigegeben | valide) printed: 04.05.2016

To find your nearest Bürkert facility, click on the orange box →

www.burkert.com

In case of special application conditions, please consult for advice.

We reserve the right to make technical changes without notice.

1509/3_EU-en_00895110