

Type 1127/1128 Differential Pressure Gauge



Type 1127 Shown

FEATURES

- 4½" & 6" dial size
- 316 Stainless steel Bourdon tube and sockets
- ASME B40.1 Grade 1A (2%-1%-2%).
- Black epoxy coated aluminum case and ring

The Ashcroft® Type 1127/1128 differential pressure gauges display the difference of two separate inputs on one dial indicator. The 1127/1128 is offered with "0" at the 12 o'clock position on the dial with positive pressure on either side of zero. The 1127/1128 has stainless Bourdon tubes. When the process media is corrosive to the gauge wetted parts, diaphragm seals with capillaries are available.

TEMPERATURE LIMITS

	Ambient	Process	Storage
Dry	-20/200°F (-29/93°C)	-20/250°F (-29/121°C)	-40/250°F (-40/121°C)

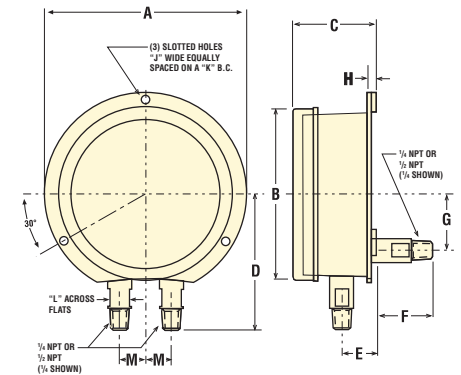
Note: Other than discoloration of the dial and hardening of the gasketing that may occur as ambient or process temperatures exceeds 150°F, non-liquid-filled gauges with standard glass windows, can withstand continuous operating temperatures up to 250°F (121°C). Accuracy at temperatures above or below the reference ambient temperature of 68°F (20°C) will be affected by approximately .4% per 25°F. Gauges with silver brazed joints will withstand 450°F (232°C) for short times without rupture, although other parts of the gauge will be destroyed and calibration will be lost. For continuous use and for process or ambient temperatures above 250°F (121°C), a diaphragm seal or capillary or siphon is recommended.

PRODUCT SPECIFICATIONS

Model Number:	1127/1128
Accuracy:	2%-1%-2% ASME Grade A
Case Style:	Open Front (dry only)
Case Material:	Cast Aluminum, Black Epoxy Coated
Dial Size:	4½" (45), 6" (60)
Dial Material & Color:	White Painted Aluminum with Black Markings
Ring Type:	Aluminum, Hinged, Black Epoxy Coated
Bourdon Tube Material:	316 SS (S) ⁽¹⁾
Socket Material:	316 SS (S) ⁽¹⁾
Connection Size:	¼ NPT only
Connection Location:	Lower (L), Back (B)
Range Limits:	10-1000 psi
Mounting:	Stem/Surface
Movement:	Bronze
Pointer:	Black
Window:	Glass
Warranty:	1 Year

⁽¹⁾ Joints welded

DIMENSIONS



Size Inches	A	B	C	D		E	F	G	H	J	K	L		M	Wgt. (Lbs.)
				¼ NPT	½ NPT							¼ NPT	½ NPT		
4½	5⅞	4¾	2⅞	3⅞	4⅞	1	1⅞	1⅞	5/16	7/32	2⅞	9/16	1⅞	¾	2.5
	(149)	(126)	(62)	(100)	(103)	(25)	(27)	(41)	(8)	(6)	(68)	(14)	(17)	(19)	
6	7⅞	6⅞	2½	4⅞	4⅞	1⅞	1⅞	1⅞	5/16	9/32	3⅞	9/16	1⅞	¾	3.5
	(194)	(164)	(64)	(125)	(125)	(27)	(43)	(41)	(8)	(7)	(90)	(14)	(17)	(19)	

() are millimeters

45 1127/1128 PRODUCT CODING

Typical Code:

45	1127	SD*	02	L	100#	
SIZE	TYPE NUMBER	SYSTEM (Tube & Socket)	CASE DESIGN	PROCESS CONN. SIZE	CONNECTION LOCATION	RANGE (psi)
(45) 4½ (60) 6	1127 1128 ⁽¹⁾ (1) 0 at 12:00	Code Tube Socket (S) 316 SS 316 SS	Description Open Front	Code NPT (02) ¼ Male	Code Description (L) Lower (B) Back	10 50 20 30 60 100 160 200 300 400 600 800 1000
		*Dry Gauge - Liquid Filled N/A				

All specifications are subject to change without notice.
 All sales subject to standard terms and conditions.
 © 2015 Ashcroft Inc. Rev.03/15

Ashcroft Inc., 250 East Main Street, Stratford, CT 06614 USA
 Tel: 203-378-8281 • Fax: 203-385-0408
 email: info@ashcroft.com • www.ashcroft.com

Type 1127/1128 Differential Pressure Gauge

STANDARD RANGES							
Pressure Range psid	Type 1127 (210° dial arc)			Type 1128 (210° dial arc) Zero centered dial			
	Figure Interval	Minor Graduation	Static Pressure Limits*	Pressure Range psid	Figure Interval	Minor Graduation	Static Pressure Limit
0/10	2	0.2	30	5/0/5	2	0.2	30
0/15	3	0.5	30	10/0/10	2	0.2	30
0/20	5	0.2	30	15/0/15	5	0.5	60
0/30	5	0.5	45	30/0/30	10	1	120
0/60	10	1	120	50/0/50	10	1	200
0/100	10	1	200	80/0/80	20	2	300
0/160	20	2	300	100/0/100	20	2	300
0/200	20	2	300	150/0/150	50	5	450
0/300	50	5	450	200/0/200	50	5	600
0/400	50	5	600	300/0/300	100	10	900
0/600	100	10	900	400/0/400	100	10	1200
0/800	100	10	1200	500/0/500	100	10	1500
0/1000	100	10	1500				

*Maximum pressure that can be admitted into each Bourdon tube.

METRIC RANGES								
	PRESSURE RANGE		DIAL GRADUATIONS		RANGE	DIAL GRADUATIONS		Outer Range When Dual Range Specified psi
	kg/cm2	bar	Figure Interval	Minor Graduation	kPa (kilopascal)	Figure Interval	Minor Graduation	
Type 1127	0/1.4	0/1.4	0.2	0.02	0/140	20	2	0/20
	0/2	0/2	0.5	0.05	0/200	50	5	0/28
	0/4	0/4	0.5	0.05	0/400	50	5	0/55
	0/7	0/7	0.5	0.1	0/400	50	10	0/100
	0/11	0/11	2	0.2	0/1100	200	20	0/160
	0/14	0/14	2	0.2	0/1400	200	20	0/200
	0/20	0/20	5	0.5	0/2000	250	50	0/300
	0/28	0/28	5	0.5	0/2800	500	50	0/400
	0/40	0/40	5	0.5	0/4000	500	50	0/600
	0/56	0/56	10	1	0/5600	1000	100	0/800
	0/70	0/70	10	1	0/7000	1000	100	0/1000
Type 1128	0.7/0.7	0.7/0.7	0.2	0.02	70/0/70	20	2	10/0/10
	1/0/1	1/1	0.5	0.05	100/0/100	50	5	14/0/14
	2/0/2	2/2	0.1	0.01	200/0/200	50	5	28/0/28
	3.5/0/3.5	3.5/3.5	0.5	0.1	350/0/350	50	10	50/0/50
	5.5/0/5.5	5.5/5.5	2	0.2	550/0/550	200	20	80/0/80
	7/0/7	7/7	2	0.2	700/0/700	200	20	100/0/100
	10/0/10	10/10	5	0.5	1000/0/1000	250	50	150/0/150
	14/0/14	14/14	5	0.5	1400/0/1400	500	50	200/0/200
	20/0/20	20/20	5	0.5	2000/0/2000	500	50	300/0/300
	28/0/28	28/28	10	1	2800/0/2800	1000	100	400/0/400
	35/0/35	35/35	10	1	3500/0/3500	1000	100	500/0/500