

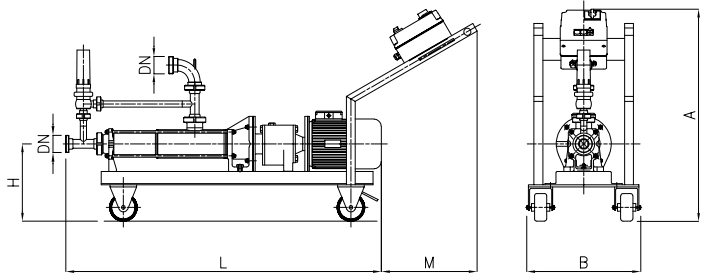
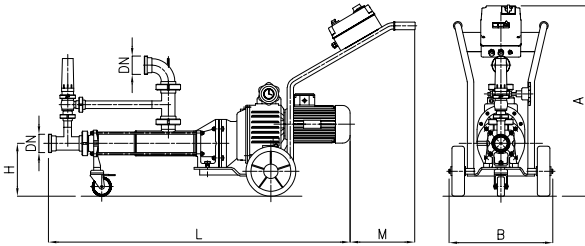


Recirculation - Decanting

PROGRESSIVE CAVITY PUMPS

exec. MAE 40...90

exec. MAE 100 - 110

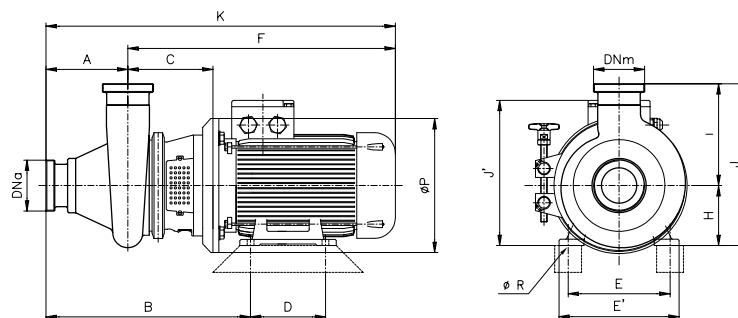


OVERALL DIMENSIONS

Dimensions not binding

PUMP MODEL	Inlet & Outlet port		A	B	H	L	M
	DIN 11851	Oenological					
MAE 40-1	DN 40/40	Ø 40	710	370	255	1300	250
MAE 50-1	DN 50/50	Ø 50	900	460	210	1300	410
MAE 60-L	DN 50/50	Ø 50	900	460	210	1450	410
MAE 65-1	DN 65/65	Ø 60	1050	550	255	1600	350
MAE 70-L	DN 65/65	Ø 60	1050	550	255	1830	350
MAE 80-1	DN 80/80	Ø 80	1050	550	285	1600	350
MAE 90-L	DN 80/80	Ø 80	1050	550	285	2000	350
MAE 100-1	DN 100/100	Ø 100	1050	580	385	1900	330
MAE 110-L	DN 100/100	Ø 100	1050	580	385	2250	600

CENTRIFUGAL SCREW PUMPS



OVERALL DIMENSIONS

DN = DIN 11851 male threaded connection - Dimensions not binding - exec. with standard IEC/EN motors

PUMP MODEL	kW	DNa	DNm	A	B	C	D	E	E'	F	H	K	I	J	J'	ØP	ØR
1450 rpm																	
CR 65	0,75	65	65	151	360	158	100	125	150	392	80	543	190	270	200	200	10
	1,1				362												
CR 80	1,5	80	80	181	406	168	125	140	165	452	90	632	245	335	218	200	10
	2,2				413												
CR 100	3	100	100	205	477	202	140	190	240	515	112	720	294	406	331	250	12
	4									542		747					
CR 125	5,5	125	125	232	550	230	140	216	256	604	132	836	346	478	404	300	12
7,5	178																

