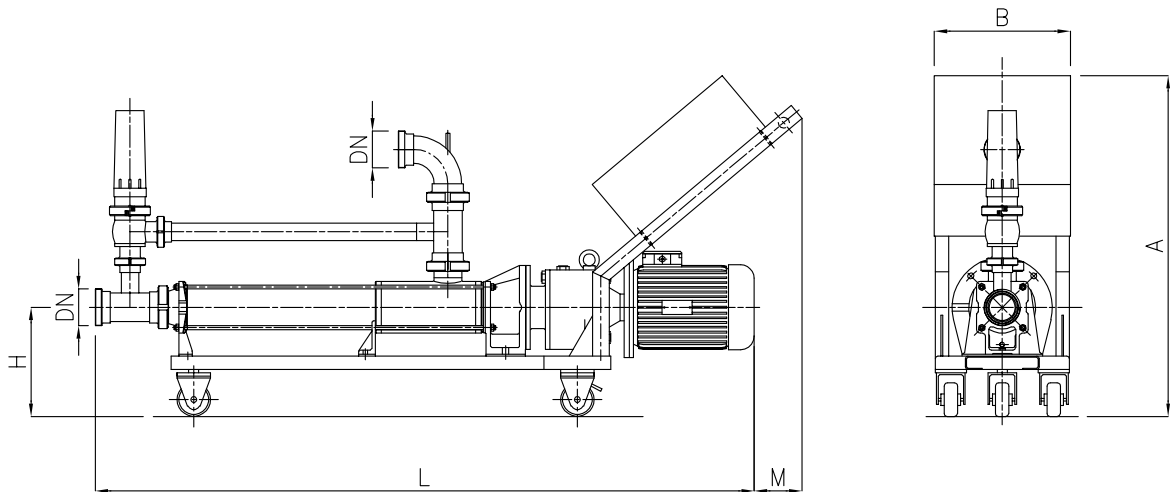




Filling and emptying of barrels

PROGRESSIVE CAVITY PUMPS



OVERALL DIMENSIONS

Dimensions not binding

PUMP MODEL	Inlet & Outlet port		A	B	H	L	M
	DIN 11851	Oenological					
MAE 50-1	DN 50/50	Ø 50	1100	310	260	1310	350
MAE 60-L	DN 50/50	Ø 50	1100	310	260	1480	300
MAE 65-1	DN 65/65	Ø 60	1100	420	285	1420	280
MAE 70-L	DN 65/65	Ø 60	1100	420	285	1620	350
MAE 80-1	DN 80/80	Ø 80	1100	420	320	1750	250
MAE 90-L	DN 80/80	Ø 80	1100	420	320	2000	250

