

Cable Plug 10 mm for Bürkert small solenoid valves



- Installation width 10 mm
- Cable and flying leads version available
- Contact form in grid dimension 2,54
- Locking

Type 2505 can be combined with...



Type 6144

Rectangular plug



Type 6628


Rectangular plug

Connector with locking lug for contacting Bürkert solenoid valves with rectangular plug connector. These robust and affordable plug connection has established itself in the area of all small Bürkert solenoid valves in the analyst engineering and process pneumatics. As well as strands and cable versions connectors for printed circuit board (PCB) mounting are also available.


Technical data	
Material	POM and PA
Contact material	Brass gilded
Max. continuous temperature	+80 °C
External cable diameter	4-5 mm (cable version) 1,3-1,5 mm (flying leads version)
Coating material	
cable version	PVC
flying leads version	FEP
Core cross-section	0,25 mm ²
Cable outlet	Straight
Locking	yes
Nominal voltage	Until 60V DC and 25V AC (clamp protection voltage according to VDE 0140)
Maximum current rating	1A
Contact resistance	approx. 20 mOhm
Cable ends	
cable version	end ferrule
flying leads version	blank
Protection class	
cable version	IP30
flying leads version	IP30
Number of terminals	2- or 3-pin

Ordering chart cable version

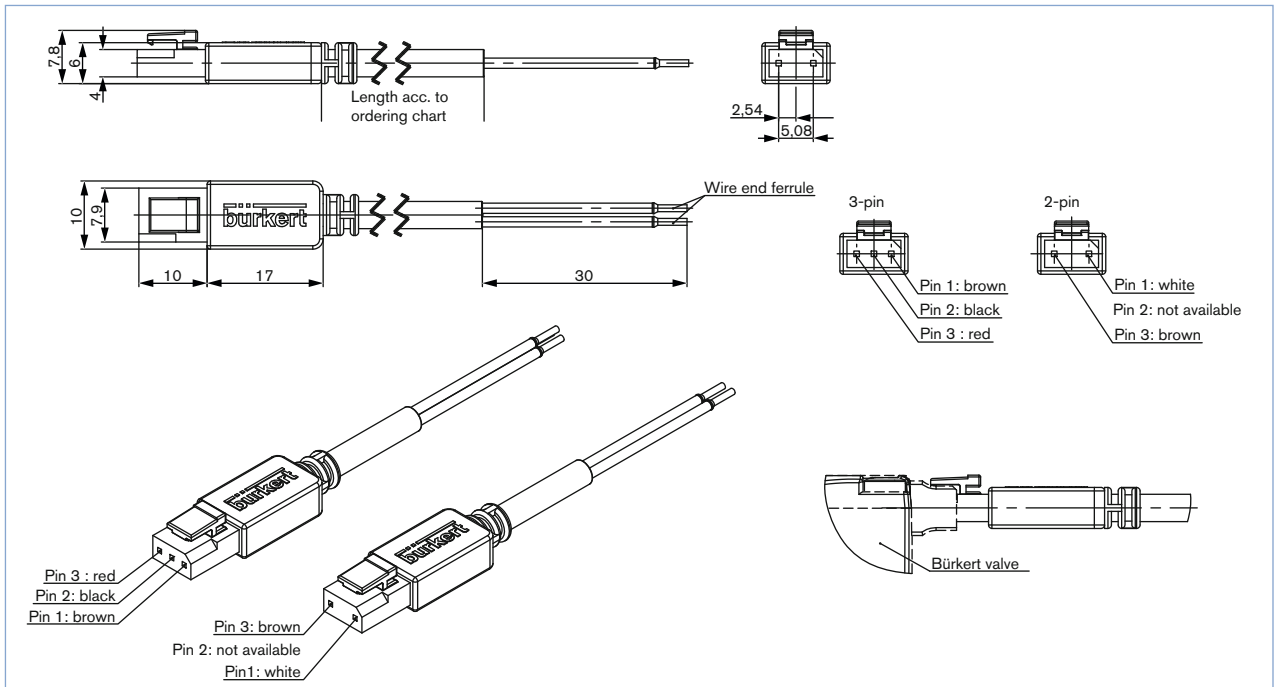
2505 cable version, 2 pins Version, coating color grey

Description	Cable length	Item no.
	0,5 m	260 807
	3,0 m	252 572
	5,0 m	255 194


2505 cable version, 3-pin Version, coating color black

Description	Cable length	Item no.
	0,5 m	260 833
	3,0 m	252 573

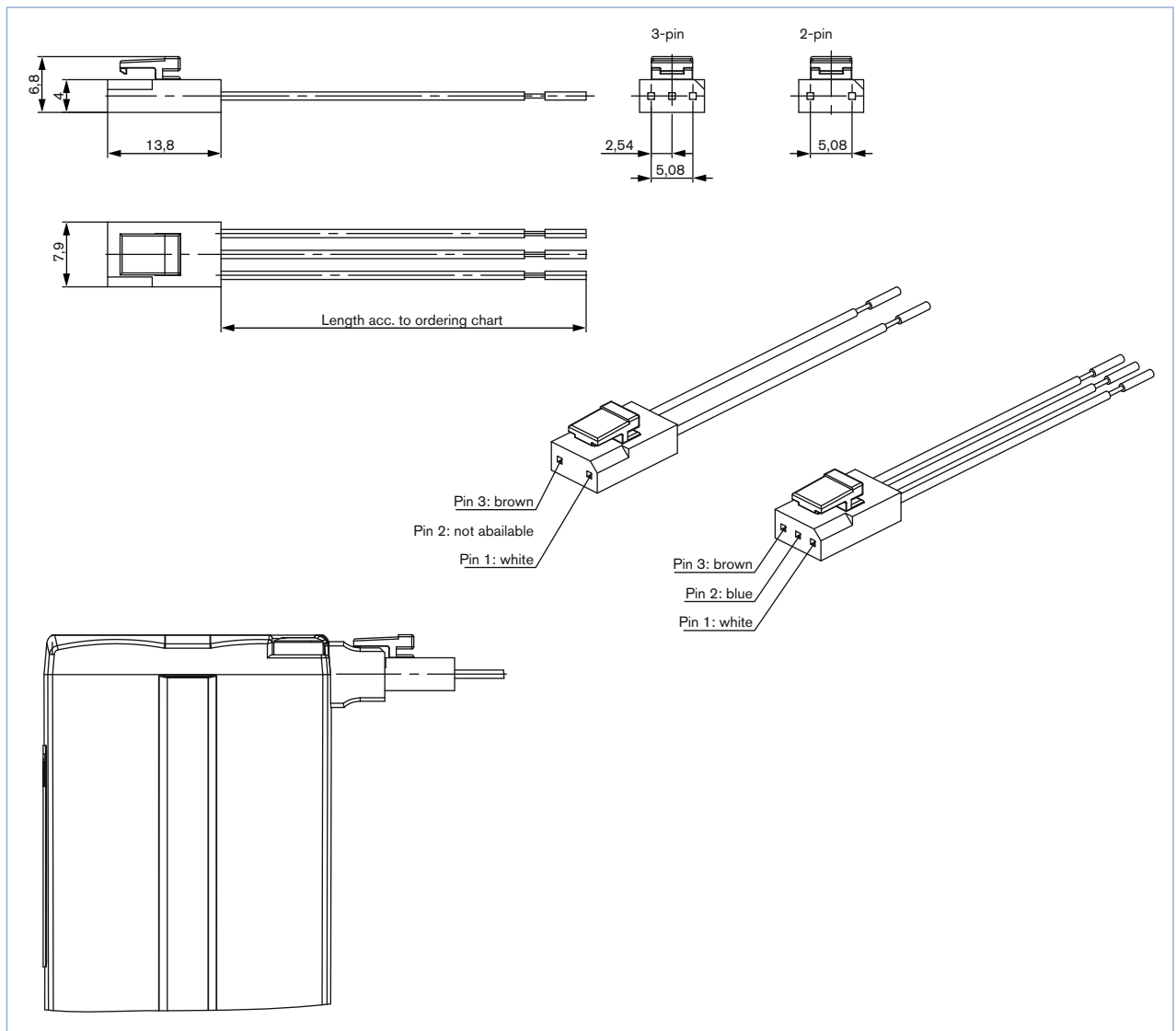
Dimensions [mm] Cable version



Ordering chart Flying leads version


Description	Core cross-section	Flying leads length	Number of terminals	Item no.
	0,14 mm ²	300 mm	2	644 068
		600 mm	2	162 144
	0,25 mm ²	300 mm	3	212 968
		300 mm	2	262 346
		600 mm	2	262 351
		300 mm	3	262 350

Dimensions [mm] flying leads version

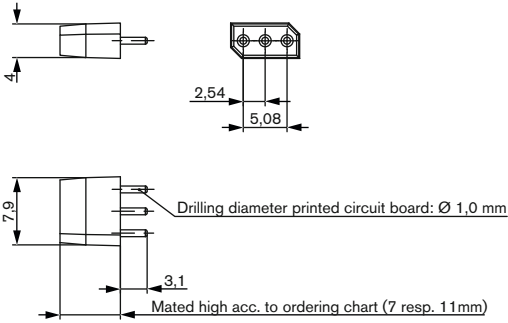


Ordering chart connector for PCB mounting

3-pin, grid dimension 2,54 mm, non-locking

Description	Mated height	Item no.
Connector for PCB mounting (solder connection) 	7 mm	645 527
	11 mm	645 526

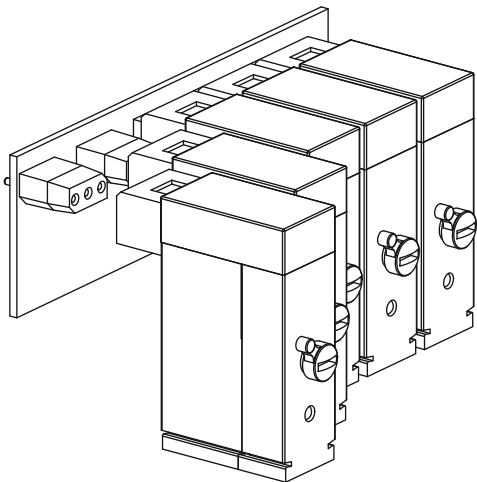
Dimensions [mm] Connector for PCB mounting



Id 645527

Id 645526

Example of use:
Contacted valves on printed circuit board (PCB)



DTS 1000274823 EN Version: - Status: RL (released | freigegeben | valide) printed: 04.05.2016

To find your nearest Bürkert facility, click on the orange box → www.burkert.com