



Cable Plug acc. to DIN EN 175301-803, Form A

- UR and UL approved

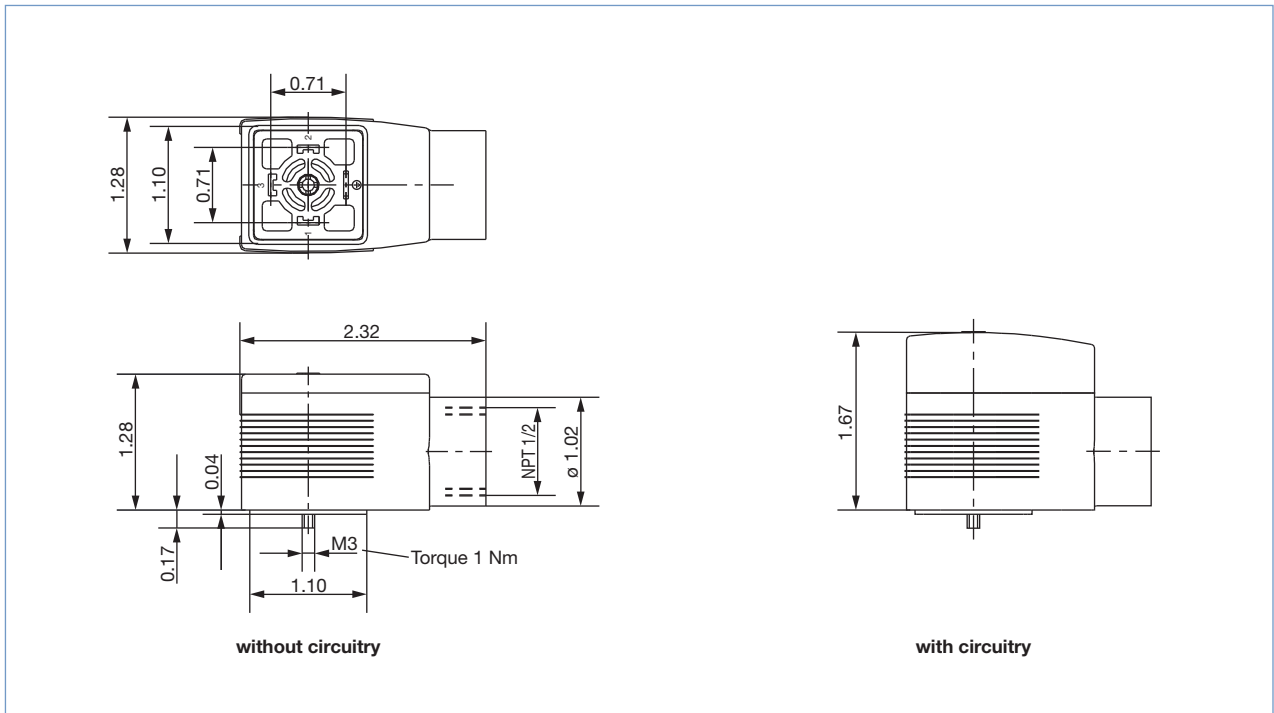
Plug connection Type 2509 for the connection of electrical components according to DIN EN 175301-803 (previously DIN 43650, Form A).

The Type 2509 has a UR approval as component.



Technical data	
Body material	PA (polyamide)
Contact material	Copper alloy, silver-plated
Connection thread	1/2" NPT
Cable outlet	vertically to the plug bottom can be rotated by 4 x 90° after removal
Cross section area	≤ 0.118"
Isolation between cable plug and coil	NBR flat seal
Cable diameter	0.029–0.078 inches
Ambient temperature range	from -10°C to 55°C (+14°C to 131°F)
Poles	2 pole + protective ground
Rated voltage	0 to 250 V
Protection class	NEMA 4 (IP65)
Flammability class to UL 94	5 V

Dimensions [inches]



Ordering Chart

No circuitry (standard)

Voltage	Max. current	Item No.
0 - 250 V AC/DC	6 A	137 943

To find your nearest Bürkert facility, click on the orange box → www.burkert.com

In case of special application conditions, please consult for advice.

Subject to alterations
© Christian Bürkert GmbH & Co. KG

1511/2_EU-en_00891685