



Type 2511 can be combined with...



**Type 6213 EV**

Solenoid valve



**Type 2610**

Solenoid valve

## Cable plug with Kick and Drop electronic

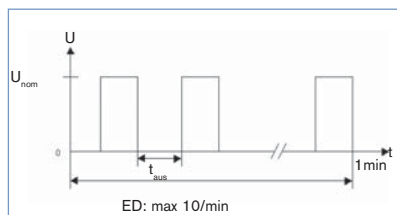
- Increase of switching operating pressure
- Energy saving by reducing of power
- 24 V version with switching point detection and LED control

The cable plug, Type 2511, is used to increase the switching pressure for solenoid valves. Power consumption and coil temperature can be significantly reduced during continuous operation. The use of the cable plug is always dependent on the type of solenoid valve used. Please contact your nearest Buerkert sales office for help with this.

### Operation principle

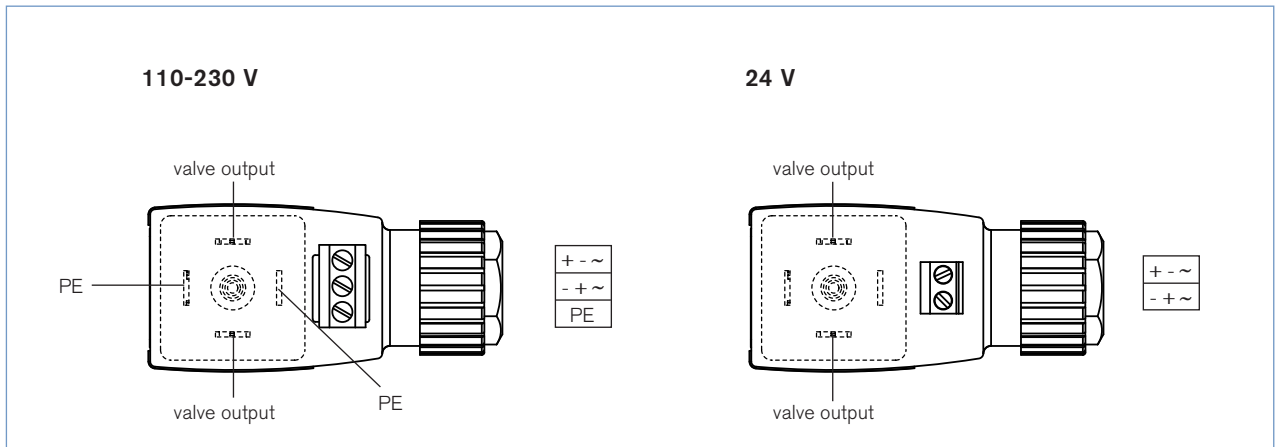
The high inrush power is generated by over-excitation. After switching the valve electronic is lowered onto a small holding power. At 400ms, the 110-230 V AC design limits the inrush power to the minimum holding power of the valve.

In the 24 V version a switching point identification is integrated, which always switches to the holding power at the optimum time. An LED indicates the operating status, "nominal holding current".



| Technical data   | 24 V  | 110-230 V   |
|--|---|---|
| <b>Body material</b>   | Polyamide   | Polyamide   |
| <b>Body cover</b>  | Polysulfone, gray transparent   | Polysulfone   |
| <b>Contact material</b>  | Brass, galvanised silver-plated   | Brass, galvanised silver-plated   |
| <b>Contact distance</b>  | 18 mm acc. to DIN EN 175301-803 (previously DIN 43650, Form A)                        | 18 mm acc. to DIN EN 175301-803 (previously DIN 43650, Form A)                        |
| <b>Operating voltage U<sub>nom</sub></b>                         | 24 V AC/DC<br>Supply voltage acc. to IEC 364-4-41 (PELV)                              | 110-230 V AC/DC   |
| <b>Max. inrush power</b>   | 72 W  | 72 W  |
| <b>Overexcitation time</b>                                       | AC: 400 ms / DC: variable   | 400 ms  |
| <b>Holding power</b>   | 4 W   | 4 W   |
| <b>Max. cycles</b>   | 10/min  | 10/min  |
| <b>Off-time t<sub>aus</sub> between two switching operations</b> | min. 1s   | min. 1s   |
| <b>Connection</b>  | 2-pin terminal strip<br>wire gauge: Max. 1.5 mm <sup>2</sup><br>Cable diameter: 6-7mm | 3-pin terminal strip<br>wire gauge: Max. 1.5 mm <sup>2</sup><br>Cable diameter: 6-7mm |
| <b>Earth conductor</b>   | no  | yes   |
| <b>Operating temperature</b>                                     | -10 to 55 °C  | -10 to 55 °C  |
| <b>Protection class</b>  | IP65  | IP65  |
| <b>Switch point detection</b>                                    | AC: no / DC: yes  | no  |
| <b>LED indicator</b>   | green   | no  |

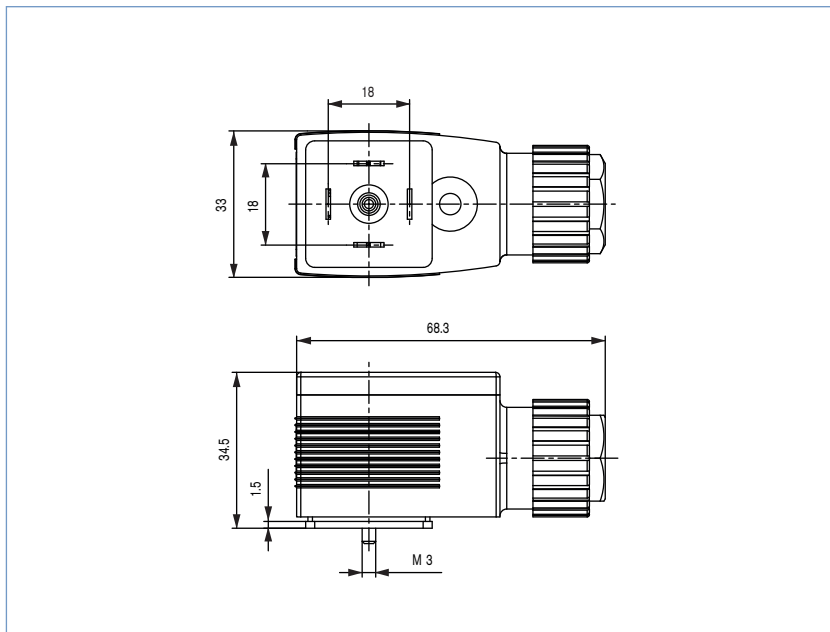
**Connection diagram**



**Ordering chart**

| Operating voltage | Item no. |
|-------------------|----------|
| 24 V AC/DC        | 181 630  |
| 110...230 V AC/DC | 138 306  |

**Dimensions [mm]**



To find your nearest Bürkert facility, click on the orange box → [www.burkert.com](http://www.burkert.com)

In case of special application conditions, please consult for advice.

We reserve the right to make technical changes without notice.

1403/3\_EU-en\_00891687