

Accessory for pneumatic rotary actuators



Type 1061 can be combined with...



Type 8805

Pneumatic actuator +
metal ball / butterfly
valve



Type 8805

Pneumatic actuator
+ plastic ball /
butterfly valve

Type 1061 combines the function of a position feedback and an optional solenoid valve in one box. It is designed to standardisation acc. VDI/VDE 3845 for assembly with pneumatic rotary actuators. So it can be used with actuators of type 2051 and 2052, which are part of the system type 8805.

Type 1061 is available with different variations of limit switches (micro switches, inductive sensors) and solenoid valves (3/2-way, 5/2-way or without solenoid valve). Next to this, an ATEX version is also available.

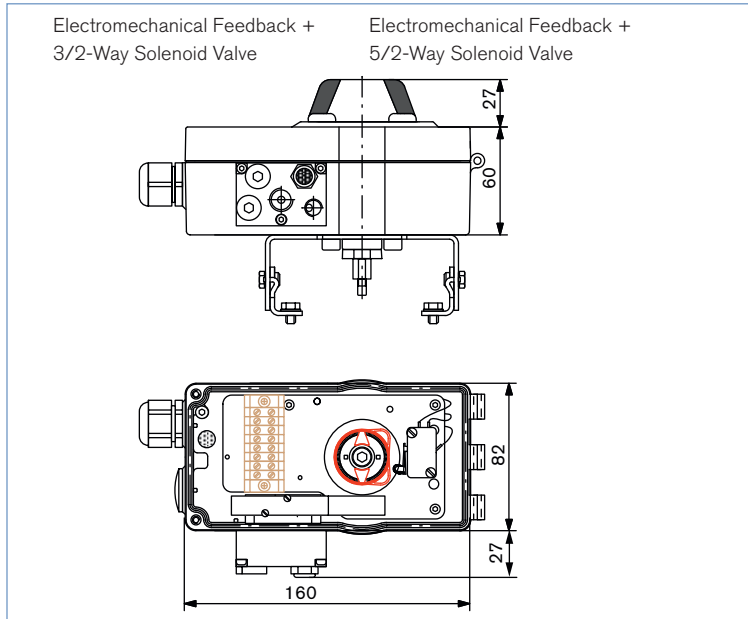
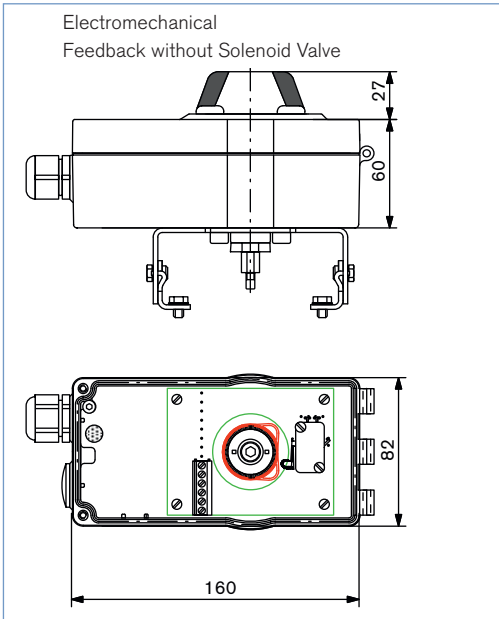
Because of the several available variations, it perfectly meets the requirements of different applications and processes.

- Combines the functions of a position feedback and a solenoid valve in one
- Available with 3/2-way, 5/2-way or without solenoid valve
- ATEX versions available
- Perfectly suited for pneumatic rotary actuators: 2051 and 2052
- Adjustable bracket allows the combination with actuators in different sizes

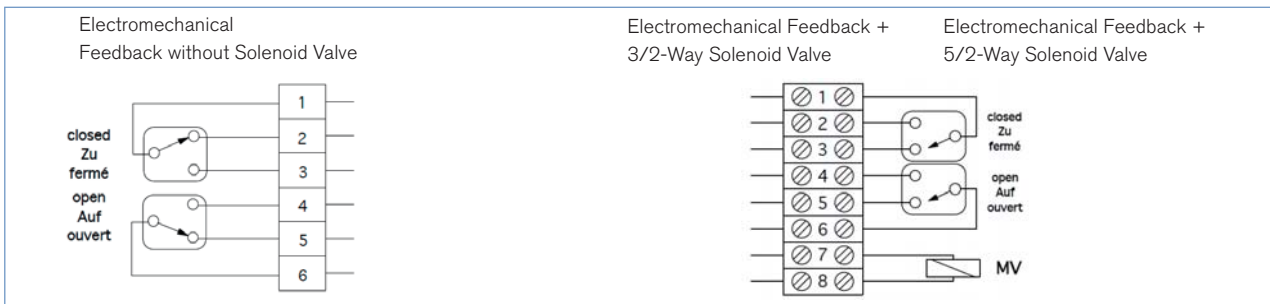
Technical data	
Housing	Aluminium
Base (powder-coated)	RAL9005
Cover (powder-coated)	RAL7016
Ingress protection	IP65
Seal	PUR
Bracket	Adjustable Hole gauge: 80/130mm x 30mm Height: 20/30mm
Temperature	-25°C...-10°C up to 55°C...85°C
Limit Switches	
Micro Switches	Crouzet 83.161.3 Crouzet 83.161.8
Inductive Sensors	Pepperl+Fuchs NBB2-V3-E2 Pepperl+Fuchs NJ2-V3-N
Switching precision	< 1,5°
System connection	Cable gland M20 x 1,5 ASi Cable connector M12-connector, male, 4-pole
Solenoid valves	Without solenoid valve 3/2-Way (type 6524) 5/2-Way (type 6525)

1061 with Electromechanical Feedback

Dimensions



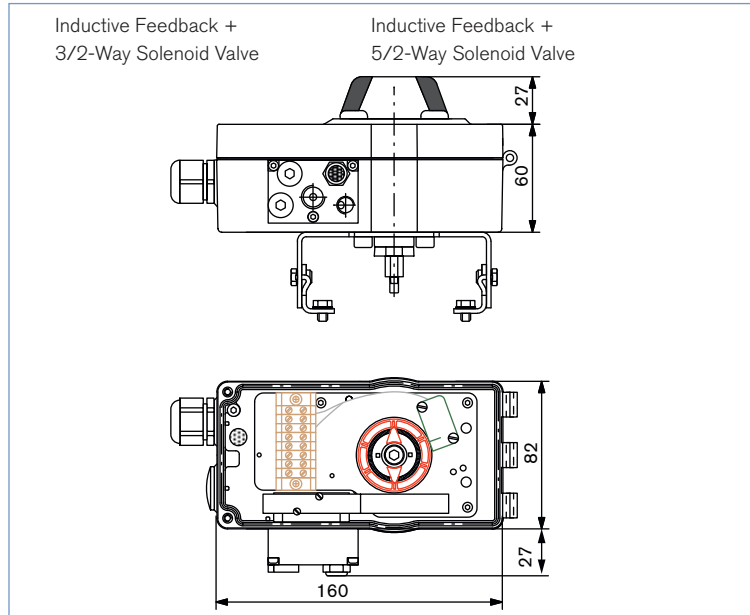
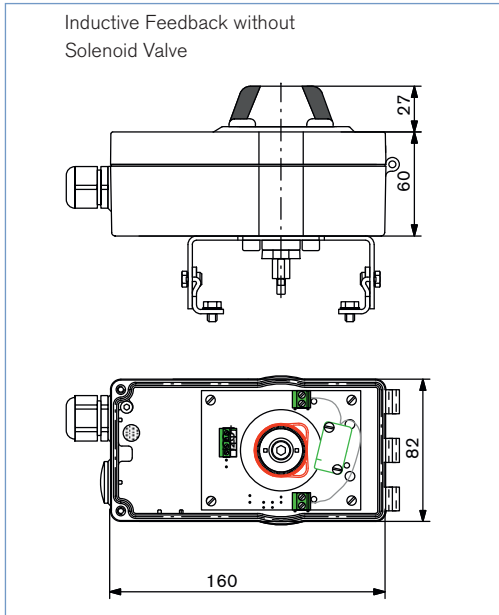
Terminal connection diagramm



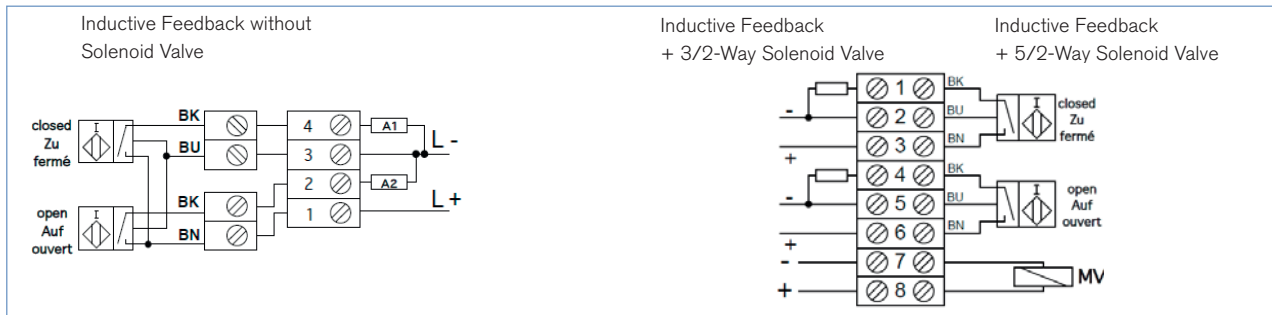
Technical Data	Electromechanical Feedback without Solenoid Valve	Electromechanical Feedback + 3/2-Way Solenoid Valve	Electromechanical Feedback + 5/2-Way Solenoid Valve
Housing and Seal			
Housing material	Aluminium	Aluminium	Aluminium
Base (powder-coated)	RAL9005	RAL9005	RAL9005
Cover (powder-coated)	RAL7016	RAL7016	RAL7016
Seal	PUR	PUR	PUR
Dome	Polycarbonate	Polycarbonate	Polycarbonate
Ingress Protection	IP65	IP65	IP65
Limit Switch			
Manufacturer	Crouzet	Crouzet	Couzet
Type	83.161.3 Micro switch	83.161.3 Micro switch	83.161.3 Micro switch
Switching capacity	4A, 230V AC	4A, 230V AC	4A, 230V AC
Contacts	silver nickel	silver nickel	silver nickel
Switching precision	< 1,5°	< 1,5°	< 1,5°
System connection	Cable gland M20 x 1,5	Cable gland M20 x 1,5	Cable gland M20 x 1,5
	Clamp range 8 up to 13mm	Clamp range 8 up to 13mm	Clamp range 8 up to 13mm
Terminals	Screw terminal up to 2,5mm ²	Screw terminal up to 2,5mm ²	Screw terminal up to 2,5mm ²
Temperature	-25°C up to 85°C	-10°C up to 55°C	-10°C up to 55°C
Solenoid Valve			
Bürkert Type	-	6524 (ID-No. 207 505)	6525 (ID-No. 207 485)
Ways	-	3/2	5/2
Operating Voltage	-	24V DC	24V DC
Nominal Power	-	0,8W	0,8W
Nominal width	-	4mm	4mm
Supply / Exhaust air	-	G1/4, G1/8	G1/4, G1/8
Item No's			
	773 151	773 139	773 140

1061 with Inductive Feedback

Dimensions



Terminal connection diagramm

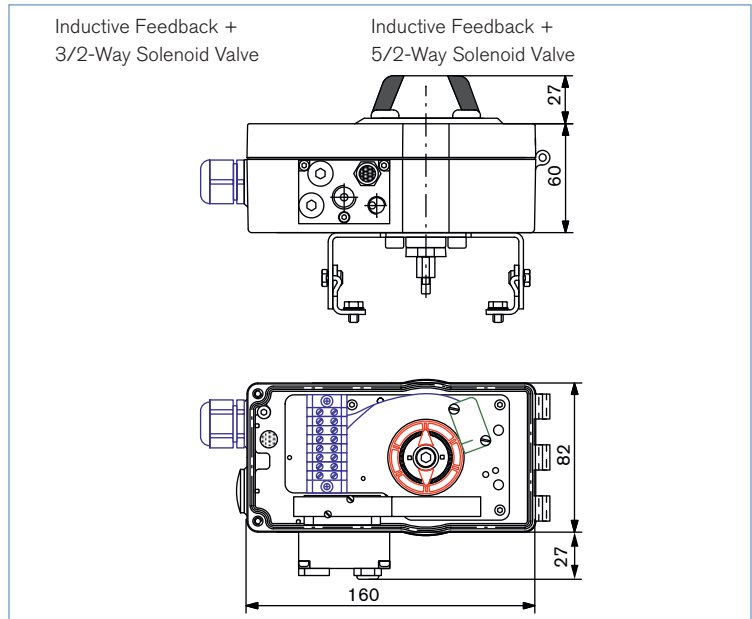
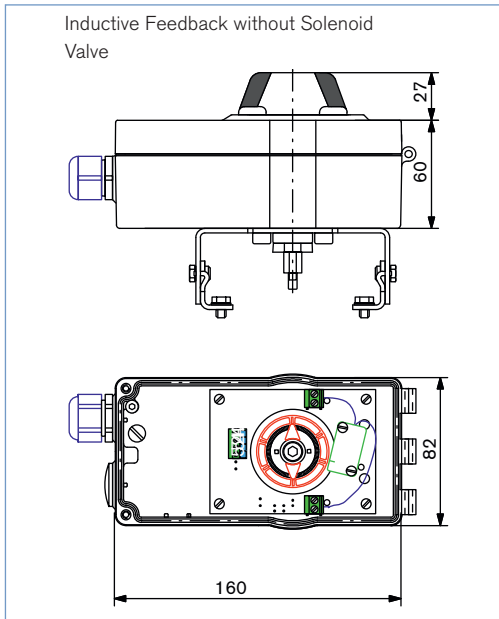


Technical Data	Inductive Feedback without Solenoid Valve	Inductive Feedback + 3/2-Way Solenoid Valve	Inductive Feedback + 5/2-Way Solenoid Valve
Housing and Seal			
Housing material	Aluminium	Aluminium	Aluminium
Base (powder-coated)	RAL9005	RAL9005	RAL9005
Cover (powder-coated)	RAL7016	RAL7016	RAL7016
Seal	PUR	PUR	PUR
Dome	Polycarbonate	Polycarbonate	Polycarbonate
Ingress Protection (Housing)	IP65	IP65	IP65
Limit Switch			
Manufacturer	Pepperl + Fuchs	Pepperl + Fuchs	Pepperl + Fuchs
Type	NBB2-V3-E2 Inductive sensor	NBB2-V3-E2 Inductive sensor	NBB2-V3-E2 Inductive sensor
Voltage	10 – 30 V DC	10 – 30 V DC	10 – 30 V DC
Operating current	0 up to 100 mA	0 up to 100 mA	0 up to 100 mA
Output	Short-circuit and pole protected	Short-circuit and pole protected	Short-circuit and pole protected
Switching precision	< 1,5°	< 1,5°	< 1,5°
System connection	Cable gland M20 x 1,5 Clamp range 8 up to 13mm	Cable gland M20 x 1,5 Clamp range 8 up to 13mm	Cable gland M20 x 1,5 Clamp range 8 up to 13mm
Terminals	Screw terminal up to 2,5mm ²	Screw terminal up to 2,5mm ²	Screw terminal up to 2,5mm ²
Temperature	-25°C up to 70°C	-10°C up to 55°C	-10°C up to 55°C
Solenoid Valve			
Bürkert Type	-	6524 (ID-No. 207 505)	6525 (ID-No. 207 485)
Ways	-	3/2	5/2
Operating Voltage	-	24V DC	24V DC
Nominal Power	-	0,8W	0,8W
Nominal width	-	4mm	4mm
Supply / Exhaust air	-	G1/4, G1/8	G1/4, G1/8
Item No's			
	773 152	773 141	773 142

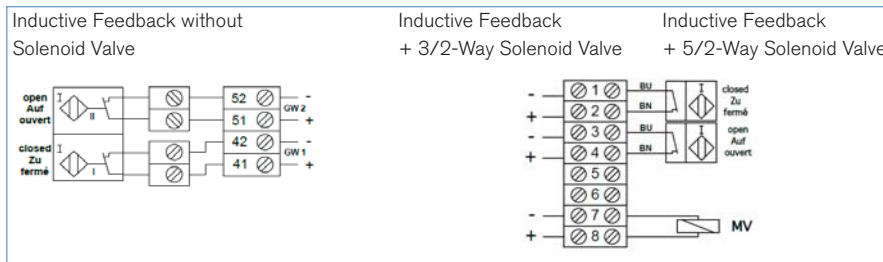
DTS 1000275088 EN Version: B Status: RL (released | freigegeben | valide) printed: 04.05.2016

1061 with Inductive Feedback - ATEX Version

Dimensions



Terminal connection diagramm



ATEX Classification

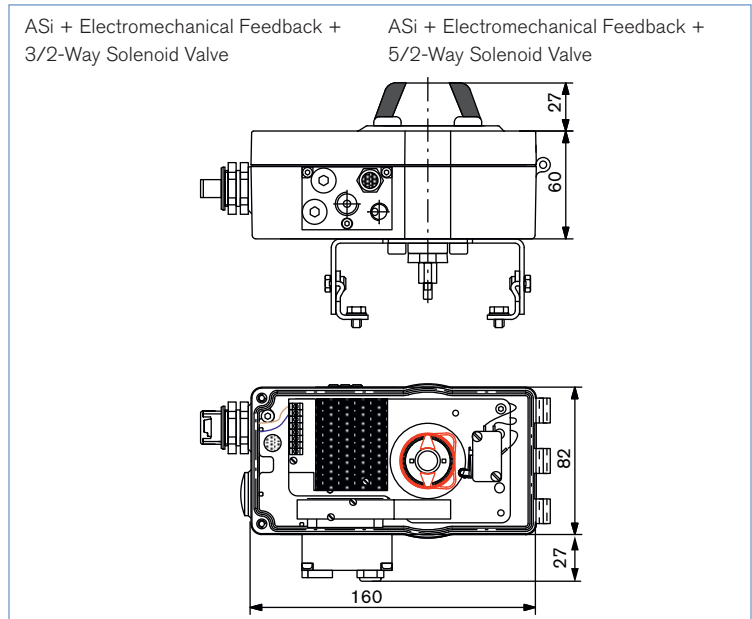
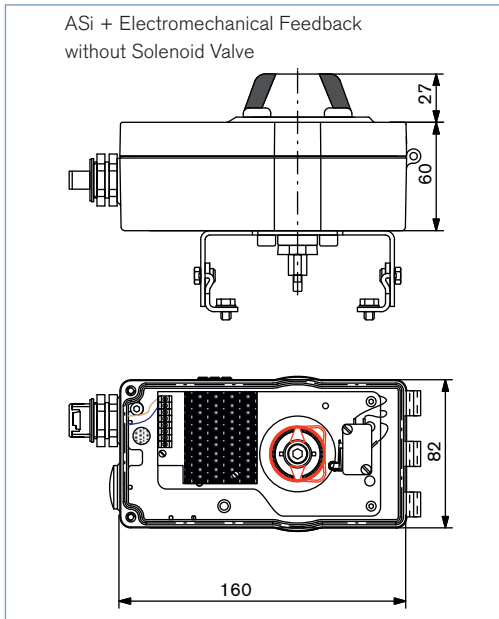
II 2G Ex ia IIC T6/T5/T4 Gb

EC-type-examination
 PTB 00 ATEX 2032 X (Sensor)
 PTB 07 ATEX 2048 (Solenoid valve)

Technical Data	Inductive Feedback without Solenoid Valve	Inductive Feedback + 3/2-Way Solenoid Valve	Inductive Feedback + 5/2-Way Solenoid Valve
Housing and Seal			
Housing material	Aluminium	Aluminium	Aluminium
Base (powder-coated)	RAL9005	RAL9005	RAL9005
Cover (powder-coated)	RAL7016	RAL7016	RAL7016
Seal	PUR	PUR	PUR
Dome	Polycarbonate	Polycarbonate	Polycarbonate
Ingress Protection (Housing)	IP65	IP65	IP65
Limit Switch			
Manufacturer	Pepperl + Fuchs	Pepperl + Fuchs	Pepperl + Fuchs
Type	P+F NJ2-V3-N Inductive sensor	P+F NJ2-V3-N Inductive sensor	P+F NJ2-V3-N Inductive sensor
Voltage	8,2 V DC (1000 Ω)	8,2 V DC (1000 Ω)	8,2 V DC (1000 Ω)
Current consumption	≥ 3mA (not activated) ≤ 1mA (activated)	≥ 3mA (not activated) ≤ 1mA (activated)	≥ 3mA (not activated) ≤ 1mA (activated)
Output	Short-circuit and pole protected	Short-circuit and pole protected	Short-circuit and pole protected
Switching precision	< 1,5°	< 1,5°	< 1,5°
System connection	Cable gland M20 x 1,5 Clamp range 8 up to 13mm	Cable gland M20 x 1,5 Clamp range 8 up to 13mm	Cable gland M20 x 1,5 Clamp range 8 up to 13mm
Terminals	Screw terminal up to 2,5mm ²	Screw terminal up to 2,5mm ²	Screw terminal up to 2,5mm ²
Temperature	-25°C up to 70°C	-10°C up to 55°C	-10°C up to 55°C
Solenoid Valve			
Bürkert Type	-	6524 (ID-No. 184 560)	6525 (ID-No. 184 564)
Ways	-	3/2	5/2
Electrical resistance	-	320 Ω	320 Ω
Min. Operating current	-	29 mA	29 mA
Power consumption	-	0,3 W	0,3 W
Nominal width	-	4mm	4mm
Supply / Exhaust air	-	G1/4, G1/8	G1/4, G1/8
Item No's			
	773 153	773 143	773 144

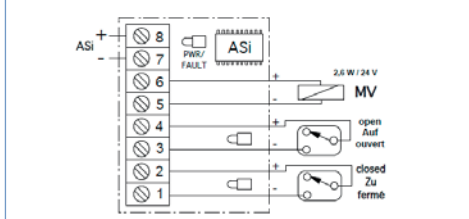
1061 with Electromechanical Feedback - AS-Interface

Dimensions

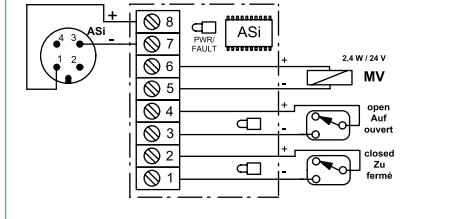


Terminal connection diagramm

ASi Cable Connector + Electromechanical Feedback without Solenoid Valve / with 3/2-Way or with 5/2-Way Solenoid Valve



ASi - M12 Connector + Electromechanical Feedback without Solenoid Valve / with 3/2-Way or with 5/2-Way Solenoid Valve



Programming informations

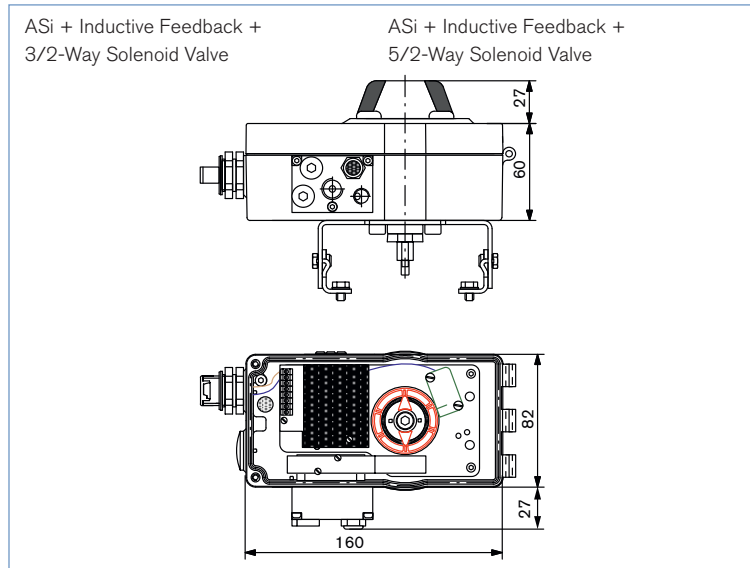
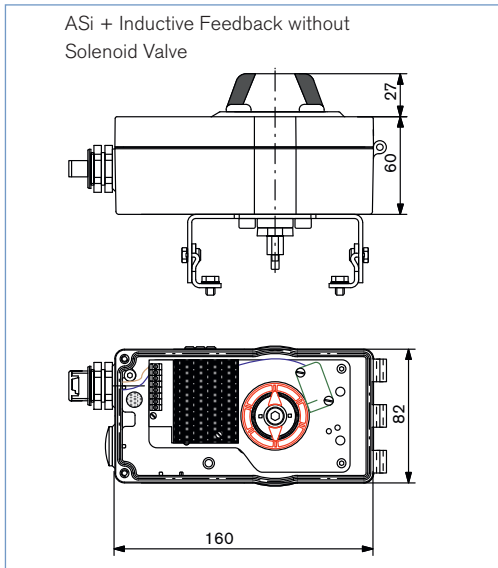
Pofile: S-D.A.E
 IO-Code: D
 ID-Code: A
 ID1-Code: 7
 ID2-Code: E

Technical Data	ASi + Electromechanical Feed-back without Solenoid Valve	ASi + Electromechanical Feed-back + 3/2-Way Solenoid Valve	ASi + Electromechanical Feed-back + 5/2-Way Solenoid Valve
Housing and Seal			
Housing material	Aluminium	Aluminium	Aluminium
Base (powder-coated)	RAL9005	RAL9005	RAL9005
Cover (powder-coated)	RAL7016	RAL7016	RAL7016
Seal	PUR	PUR	PUR
Dome	Polycarbonate	Polycarbonate	Polycarbonate
Ingress Protection	IP65	IP65	IP65
Limit Switch & AS-Interface			
Manufacturer	Crouzet	Crouzet	Crouzet
Type	83.161.8 Micro switch	83.161.8 Micro switch	83.161.8 Micro switch
Contacts	gold	gold	gold
Plug-in Card	ASi - 2 Inputs, 1 Output	ASi - 2 Inputs, 1 Output	ASi - 2 Inputs, 1 Output
Voltage	26,5 – 31,6V DC	26,5 – 31,6V DC	26,5 – 31,6V DC
Switching precision	< 1,5°	< 1,5°	< 1,5°
System connection	ASi cable connector	M12-connector, male, 4-pole	ASi cable connector
Terminals	Screw terminal up to 1,5mm ²	Screw terminal up to 1,5mm ²	Screw terminal up to 1,5mm ²
Temperature	-10°C up to 60°C	-10°C up to 55°C	-10°C up to 55°C
Solenoid Valve			
Bürkert Type	-	6524 (ID-No. 207 505)	6525 (ID-No. 207 485)
Ways	-	3/2	5/2
Operating Voltage	24V DC*	24V DC	24V DC
Nominal Power	max. 2,4 W*	0,8W	0,8W
Nominal width	-	4mm	4mm
Supply / Exhaust air	-	G1/4, G1/8	G1/4, G1/8
Item No's			
ASi cable connector	773 149	773 145	773 146
M12-connector	773 292	773 288	773 298

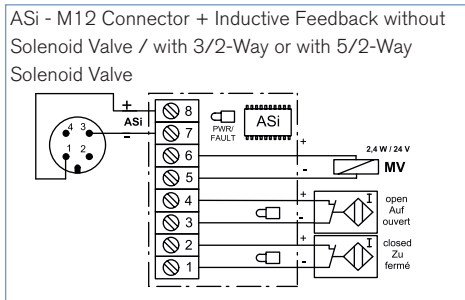
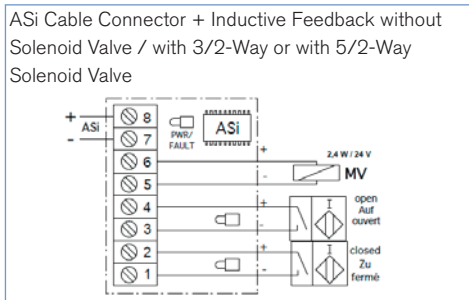
* if an extern solenoid valve should be connected

1061 with Inductive Feedback - AS-Interface

Dimensions



Terminal connection diagramm



Programming informations

Pofile: S-D.A.E
 IO-Code: D
 ID-Code: A
 ID1-Code: 7
 ID2-Code: E

Technical Data	ASi + Inductive Feedback without Solenoid Valve	ASi + Inductive Feedback + 3/2-Way Solenoid Valve	ASi + Inductive Feedback + 5/2-Way Solenoid Valve
Housing and Seal			
Housing material	Aluminium	Aluminium	Aluminium
Base (powder-coated)	RAL9005	RAL9005	RAL9005
Cover (powder-coated)	RAL7016	RAL7016	RAL7016
Seal	PUR	PUR	PUR
Dome	Polycarbonate	Polycarbonate	Polycarbonate
Ingress Protection	IP65	IP65	IP65
Limit Switch & AS-Interface			
Manufacturer	Pepperl + Fuchs	Pepperl + Fuchs	Pepperl + Fuchs
Type	NBB2-V3-E2 Inductive sensor	NBB2-V3-E2 Inductive sensor	NBB2-V3-E2 Inductive sensor
Plug-in Card	ASi - 2 Inputs, 1 Output	ASi - 2 Inputs, 1 Output	ASi - 2 Inputs, 1 Output
Voltage	26,5 - 31,6V DC	26,5 - 31,6V DC	26,5 - 31,6V DC
Switching precision	< 1,5°	< 1,5°	< 1,5°
System connection	ASi cable connector	M12-connector, male, 4-pole	ASi cable connector
Terminals	Screw terminal up to 1,5mm ²	Screw terminal up to 1,5mm ²	Screw terminal up to 1,5mm ²
Temperature	-25°C up to 60°C	-10°C up to 55°C	-10°C up to 55°C
Solenoid Valve			
Bürkert Type	-	6524 (ID-No. 207 505)	6525 (ID-No. 207 485)
Ways	-	3/2	5/2
Operating Voltage	24V DC*	24V DC	24V DC
Nominal Power	max. 2,4W *	0,8W	0,8W
Nominal width	-	4mm	4mm
Supply / Exhaust air	-	G1/4, G1/8	G1/4, G1/8
Item No's			
ASi cable connector	773 150	773 147	773 148
M12-connector	773 293	773 290	773 291

* if an extern solenoid valve should be connected

To find your nearest Bürkert facility, click on the orange box → www.burkert.com

In case of special application conditions, please consult for advice.

Subject to alteration.
 © Christian Bürkert GmbH & Co. KG

0216/1_EU-en_00891966