

Electrical feedback indicator



- high electrical and mechanical lifetime

Type 1060 can be combined with...



Type 0330/0331

2/2 or 3/2 way
solenoid valve



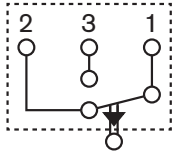
Type 2XXX

Process valve

The electrical feedback indicator is mounted on a valve.
 A microswitch is fitted in the cap, which is activated by a tappet (installed for example in the valve).
 Due to the change-over contacts the microswitch can be used both for opening or closing.

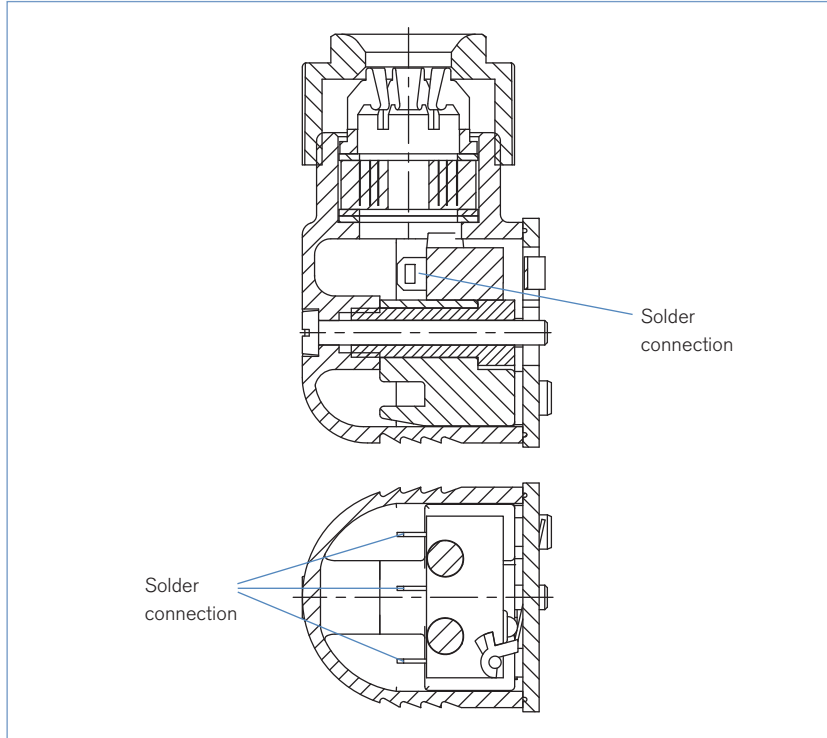
Technical data	
Micro switch	1 switch over contact
Contact rating	till 250 V AC – maximum 5 A ohmic and inductive contact load – filament load max. 0,5 A till 250 V DC – maximum 0,25 A ohmic contact load – maximum 0,02 A inductive load – maximum 0,02 A filament load
Protection class	IP65 DIN 40050
Connection	solder terminals
Cable outlet	can be rotated through 4 x 90°
Cable diameter	5 to 9 mm
Fixing	with cylindrical screw M3 x 28 resp. M3 x 30
Max. continuous temperature	125 °C
Material	housing and micro switch made of plastic
Application	Electrical feedback (alarm-, emergency-, off-, follow-circuits, etc.) for solenoid valves, diaphragm valves, piston valves, gate valves

Electrical connection scheme

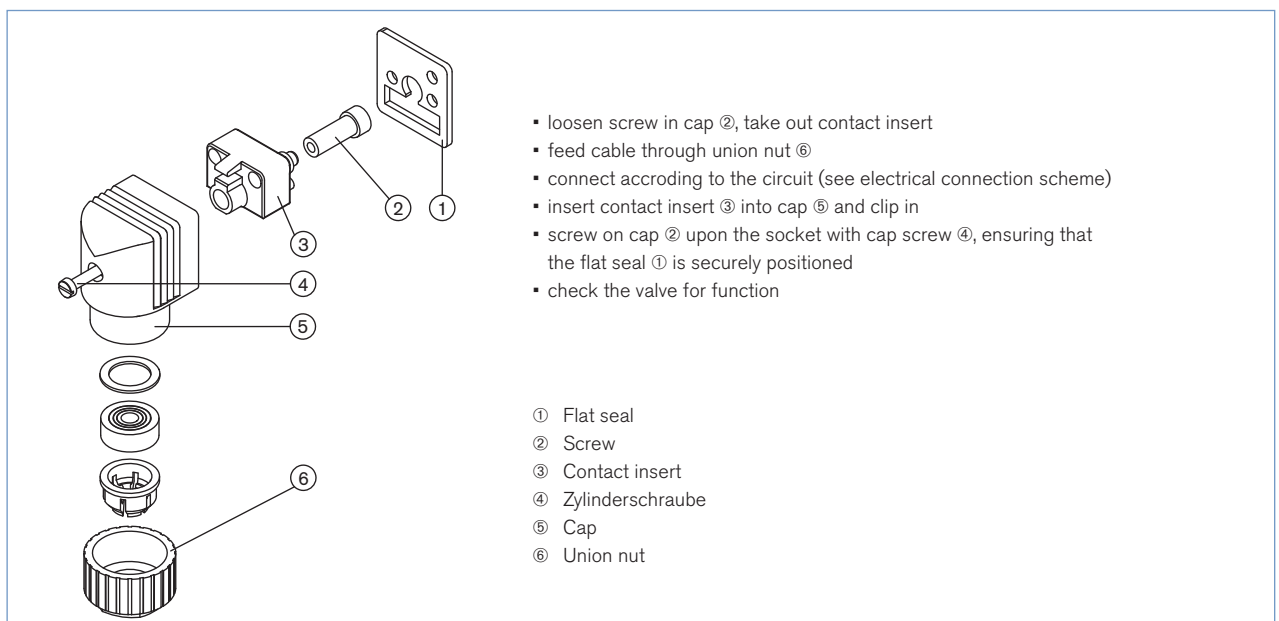


Assignment

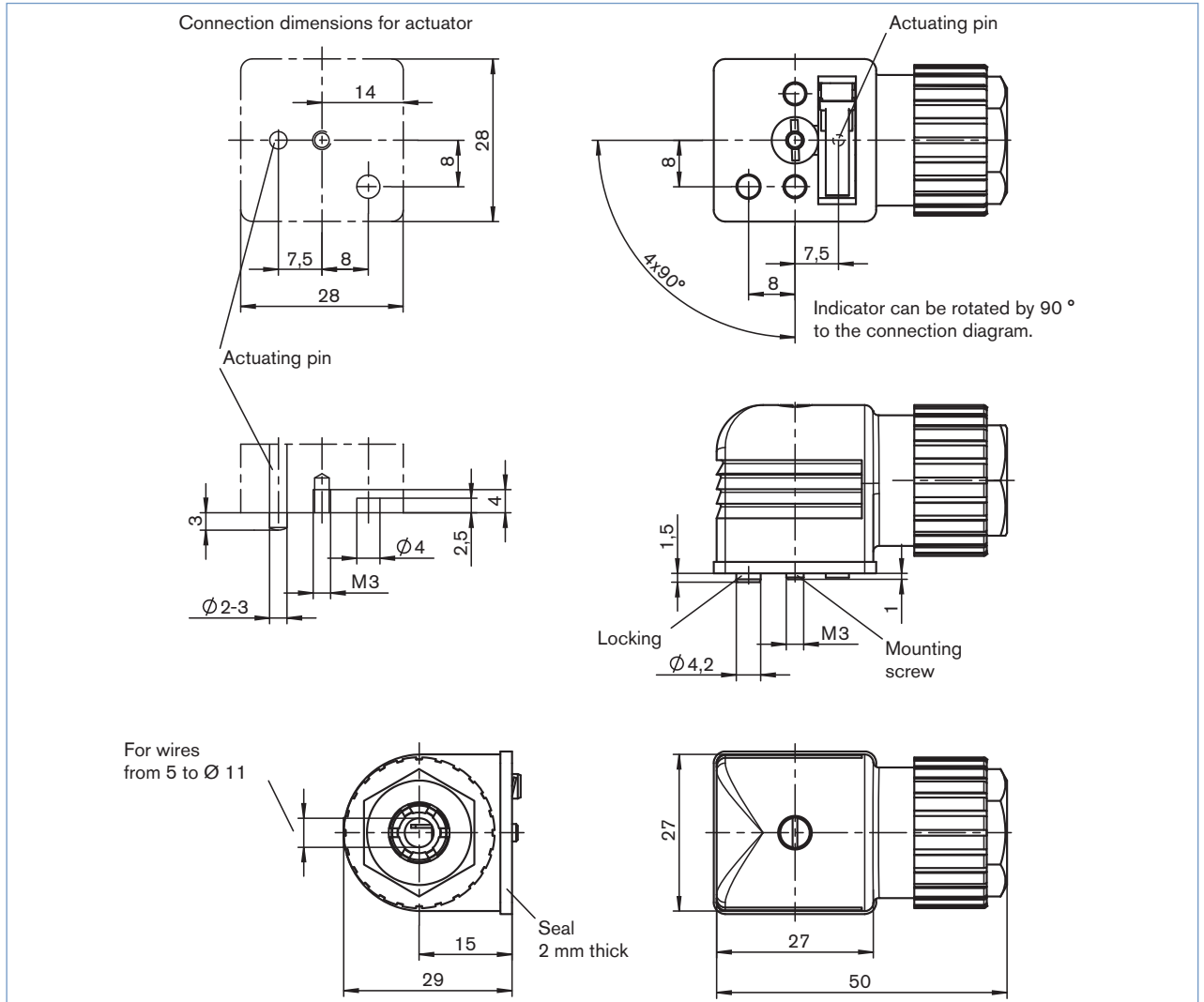
- 1 Input
- 2 Break contact
- 3 Make contact



Electrical connection instruction



Dimensions [mm]



To find your nearest Bürkert facility, click on the orange box →

www.burkert.com

In case of special application conditions,
please consult for advice.

Subject to alteration.
© Christian Bürkert GmbH & Co. KG

1601/0_EU-en_00895238