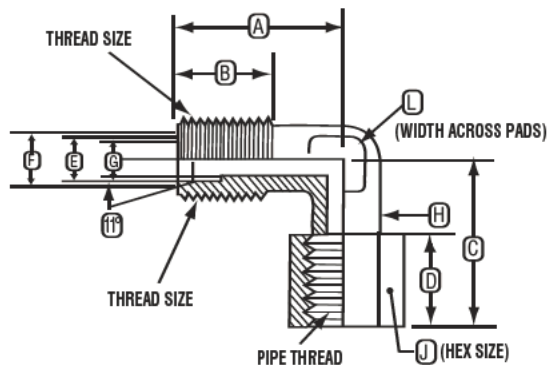
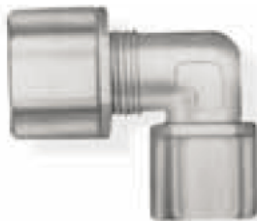


FEMALE ELBOWS



SPECIFICATIONS

Tube O.D.	Pipe Thd.	Thread	A	B	C	D	E	F	G	H	J	I
			$\pm 1/64$	$\pm 1/64$	$\pm 1/64$	$\pm 1/64$	$\pm .005/.010$		$\pm 1/64$	$\pm 1/64$	$\pm 1/64$	$\pm 1/64$
1/8	1/4	5/16-24	51/64	7/16	31/32	11/16	.125	.175 - .180	.109	23/64	43/64	23/64
1/4	1/8	7/16-20	13/16	15/32	3/4	1/2	.250	.330 - .335	.170	3/8	9/16	3/8
1/4	1/4	7/16-20	13/16	15/32	31/32	43/64	.250	.330 - .335	.170	3/8	51/64	3/8
5/16	1/4	1/2-20	15/16	31/64	1	11/16	.312	.380 - .385	.232	7/16	25/32	7/16
3/8	1/4	5/8-20	1	19/32	1-1/64	11/16	.375	.460 - .465	.250	9/16	13/16	9/16
3/8	3/8	5/8-20	15/16	19/32	1-1/32	11/16	.375	.460 - .465	.250	9/16	13/16	9/16
1/2	3/8	3/4-20	1-1/16	11/16	1-1/64	13/16	.500	.590 - .595	.375	11/16	29/32	45/64
1/2	1/2	3/4-20	1-1/16	11/16	1-21/64	13/16	.500	.590 - .595	.375	11/16	29/32	45/64
5/8	1/2	7/8-20	1-25/64	45/64	1-1/16	1-1/16	.625	.715 - .720	.500	13/16	1-1/16	13/16