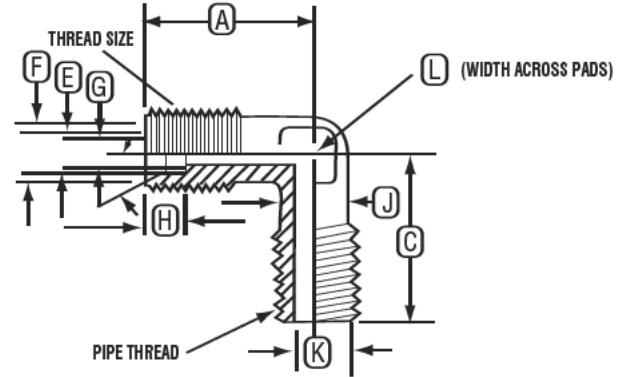


MALE ELBOWS



SPECIFICATIONS

Tube O.D.	Pipe Thr.	Thread	A $\pm 1/64$	C $\pm 1/64$	E +.005 /.010	F	G $\pm .010$	H $\pm 1/64$	J $\pm 1/64$	K $\pm 1/64$	L $\pm 1/64$
1/8	1/8	5/16-24	9/16	5/8	.125	.175 - .180	.109	7/16	1/4	13/16	1/4
1/4	1/8	7/16-20	13/16	13/16	.250	.330 - .335	.170	15/32	3/8	.250	3/8
1/4	1/4	7/16-20	13/16	1-1/64	.250	.330 - .335	.218	15/32	3/8	9/32	3/8
1/4	3/8	7/16-20	55/64	1-1/32	.250	.330 - .335	.218	15/32	35/64	3/8	35/64
5/16	1/8	1/2-20	29/32	29/32	.312	.380 - .385	.232	31/64	7/16	1/4	7/16
5/16	1/4	1/2-20	29/32	1-5/64	.312	.380 - .385	.232	31/64	7/16	1/4	7/16
3/8	1/4	5/8-20	15/16	1-1/32	.375	.460 - .465	.250	19/32	37/64	5/16	37/64
3/8	3/8	5/8-20	15/16	1-1/32	.375	.460 - .465	.250	19/32	9/16	3/8	9/16
1/2	1/4	3/4-20	1-3/32	1-1/8	.500	.590 - .595	.375	11/16	11/16	5/16	11/16
1/2	3/8	3/4-20	1-5/64	1-1/8	.500	.590 - .595	.375	11/16	11/16	3/8	11/16
1/2	1/2	3/4-20	1-1/16	1-1/4	.500	.590 - .595	.375	11/16	11/16	3/8	11/16
5/8	3/8	7/8-20	1-17/64	1-17/64	.625	.715 - .720	.500	45/64	13/16	3/8	55/64
5/8	1/2	7/8-20	1-9/32	1-29/64	.625	.715 - .720	.500	45/64	13/16	1/2	55/64