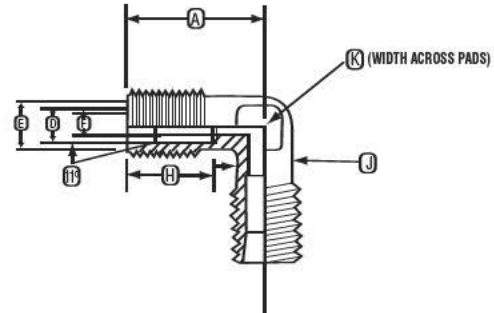


UNION ELBOWS



Union Elbows

SPECIFICATIONS

Tube O.D.	Thread	A $\pm 1/64$	D $+0.005/.010$	E	F $\pm 1/64$	H $\pm 1/64$	J $\pm 1/64$	K $\pm 1/64$
1/4	7/16-20	13/16	.250	.330 - .335	.170	15/32	3/8	3/8
5/16	1/2-20	29/32	.312	.380 - .385	.232	31/64	7/16	7/16
3/8	5/8-20	15/16	.375	.460 - .465	.250	19/32	9/16	9/16
1/2	3/4-20	1-1/16	.500	.590 - .595	.375	11/16	11/16	45/64
5/8	7/8-20	1-1/4	.625	.715 - .720	.500	45/64	13/16	55/64
3/4	1-1/16	1-35/64	.750	.860 - .865	.625	13/16	1	1
7/8	1-3/16-16	1-9/16	.875	.995 - 1.000	.750	7/8	1-1/8	1-3/16

**UNION
ELBOWS**