

SPECS: OG-1250

OXYGEN OUTPUT.....1250 scf*/hr @ 45 psig
 32.9 Nm³**/hr @ 310 kPa
 DEWPOINT.....-100°F (-73°C)
 OXYGEN PURITY.....93% ± 3%
 AIR FLOW REQ.....225 scf*/min. (avg. flow) @ 90 psig
 5.91 Nm³**/min (avg. flow) @ 621 kPa
 AIR QUALITY REQ.....ISO 8573.1 CLASS 1.4.1 MINIMUM (see below)
 SOUND LEVELS.....75dba @ 1 meter
 DIMENSIONS.....60" x 50" x 126" (WxDxH)
 152cm x 127cm x 320cm
 WEIGHT.....4500 lbs. (2040 Kg.)
 POWER.....120 VAC, 60 Hz, 50 Watts (STD.) or
 220 VAC, 50 Hz, 50 Watts (OPTIONAL)
 AIR INLET.....1" JIC MNPT BULKHEAD
 OXYGEN OUTLET.....1/2" FNPT BULKHEAD
 (WITH 1/2" MNPT OXYGEN COUPLING)

RECOMMENDED MINIMUM AIR STORAGE TANK (AST)

SIZE.....400 GALLON

RECOMMENDED MINIMUM OXYGEN STORAGE TANK (OST)

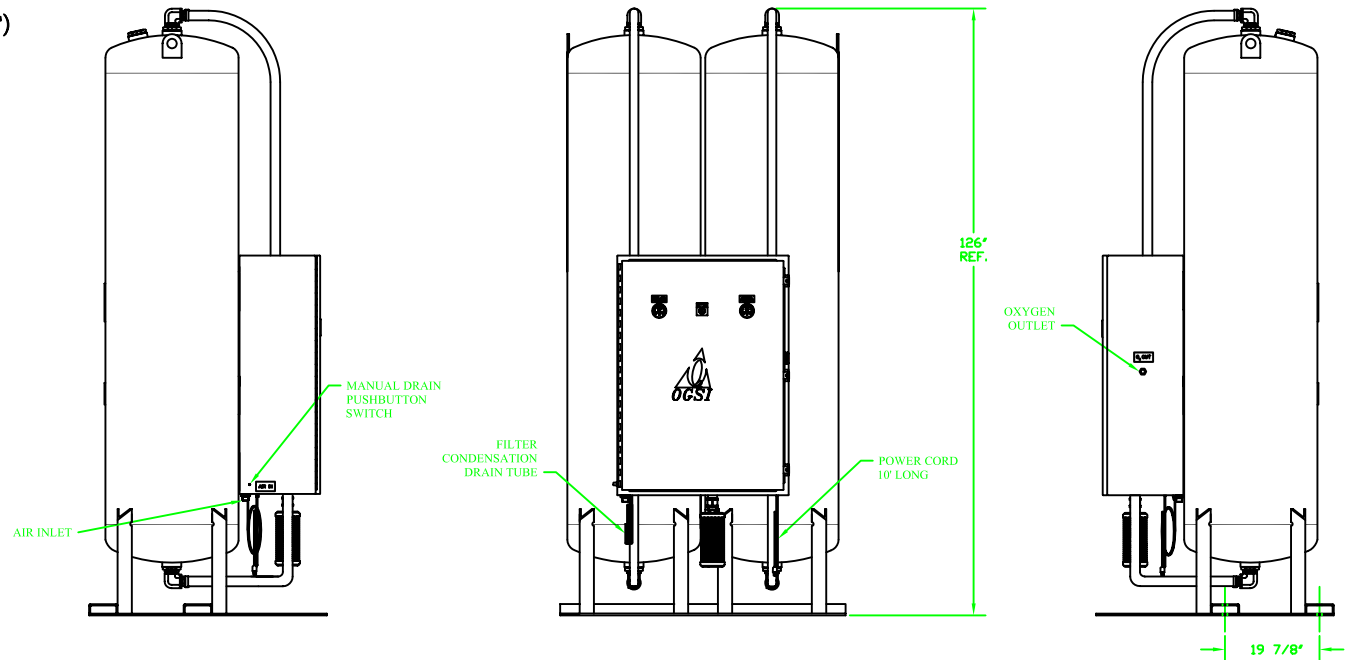
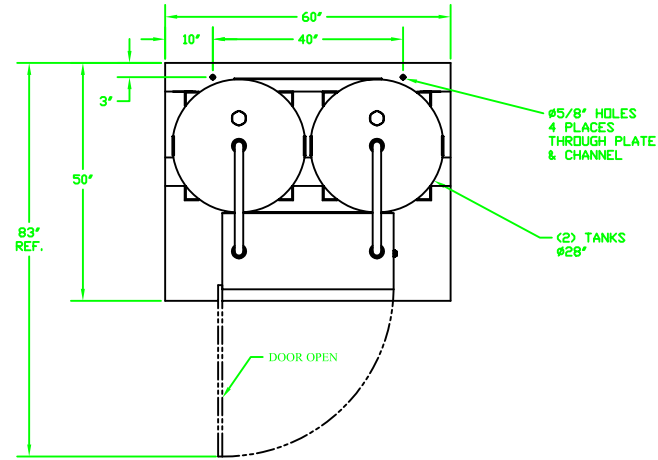
SIZE.....400 GALLON

SPECS: ISO 8573.1 CLASS 1.4.1

DIRT PARTICLES 1-5 MICRON.....0

WATER PRESSURE DEWPOINT.....+37°F (940)
 (ppm. vol.) AT 100 psig

OIL ppm (including vapor).....0.01



* A Standard Cubic Foot (SCF) is a cubic foot of gas at 14.7 psia (sea level atmospheric pressure) and 60 degrees Fahrenheit

**A Normal Cubic Meter (Nm³) is a cubic meter of gas at 760mm Hg (sea level atmospheric pressure) and 0 degrees Celsius

REVISIONS

REV	DESCRIPTION	DATE	CHK	ECN #
A	CHANGED AIR QUALITY REQUIRED SPEC	10/25/05	JCP	05-10-036

OGSI
 814 Wurlitzer Drive
 N. Tonawanda, NY 14120
 Phone: (716) 564-5165
 Fax: (716) 564-5173

FILE NAME
 OG-1250
 GEN ARR
 REV A

PLOT SCALE
 NTS
 ENGINEER
 J. M. McMAHON

EFFECTIVITY OR SERIAL NO.
 DATE
 10/30/03

DRAWN BY
 J.C. PALONE
 PAGE
 1 OF 1

TITLE
 GENERAL
 ARRANGEMENT
 OG-1250