



Fast, Effective Impact Cleaning

Alfa Laval TJ TZ-750 Rotary Jet Head - Portable

Application

The Toftejorg TZ-750 rotary jet head provides 3D indexed impact cleaning over a defined time period. It is automatic and represents a guaranteed means of achieving quality assurance in tank cleaning. The device is suitable for storage and transportation tanks and vessels between 3,000 and 7,000 m³. Used in chemical processing and the pulp and paper industries.

Working principle

The flow of the cleaning fluid makes the nozzles perform a geared rotation around the vertical and horizontal axes. In the first cycle, the nozzles lay out a coarse pattern on the tank surface. The subsequent cycles gradually make the pattern more dense, until a full pattern is reached after 4 cycles.



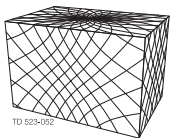
TECHNICAL DATA

Lubricant: Self-lubricating with the cleaning fluid
 Standard surface finish: Ra 0.5µm exterior
 Flow rate: 38 - 83 m³/h
 Max. throw length: 30 - 40 m
 Min. required passage: See dimension drawings

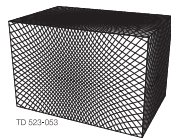
Pressure

Working pressure: 5 - 12 bar
 Recommended pressure: 5 - 10 bar

Cleaning Pattern



First cycle



Full pattern

The above drawings show the cleaning pattern achieved on a horizontal vessel. The difference between the first cycle and the full pattern represents the number of additional cycles available to increase the density of the cleaning.

Certificates

2.1 material certificate and ATEX.

Standard Design

The choice of nozzle diameters can optimise jet impact length and flow rate at the desired pressure. As standard documentation, the Toftejorg TZ-750 can be supplied with a "Declaration of Conformity" for material specifications.

PHYSICAL DATA

Materials

316L (UNS S31603), 1.4401, PTFE, PVDF, Carbon, EFTE.

Temperature

Max. working temperature: 95°C
 Max. ambient temperature: 140°C

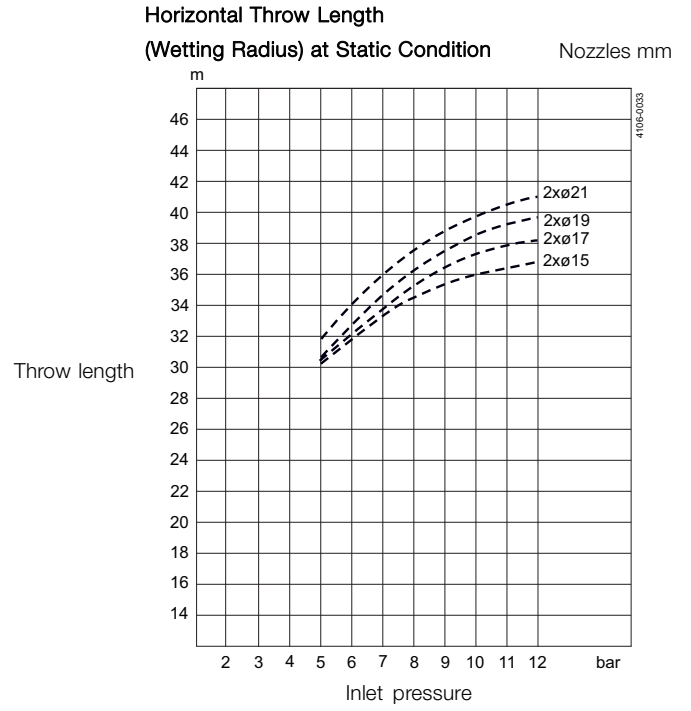
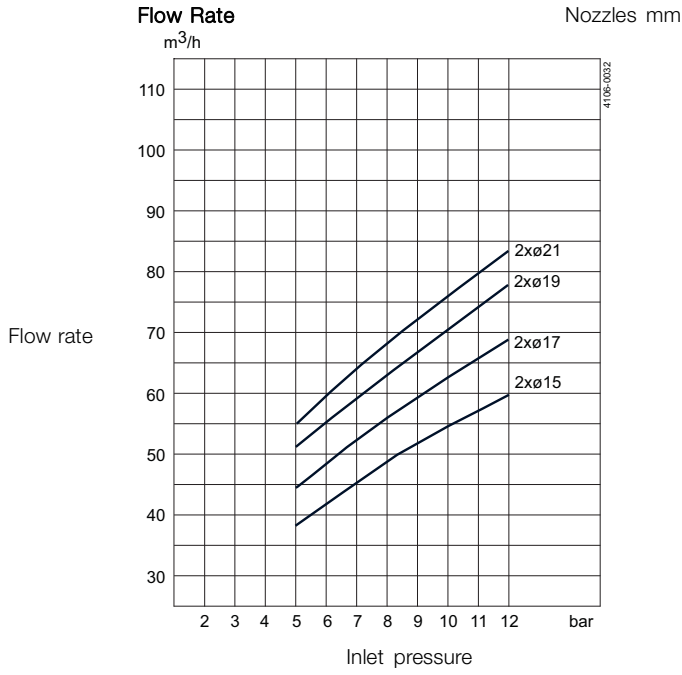
Weight

Portable: 12.1 kg
 Fixed: 3.6 kg

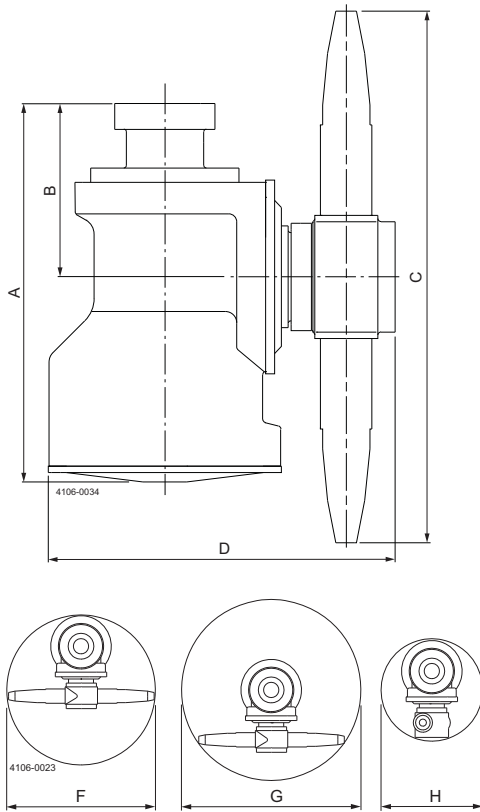
Connections

Standard thread: 2½" Rp (BSP), NPT

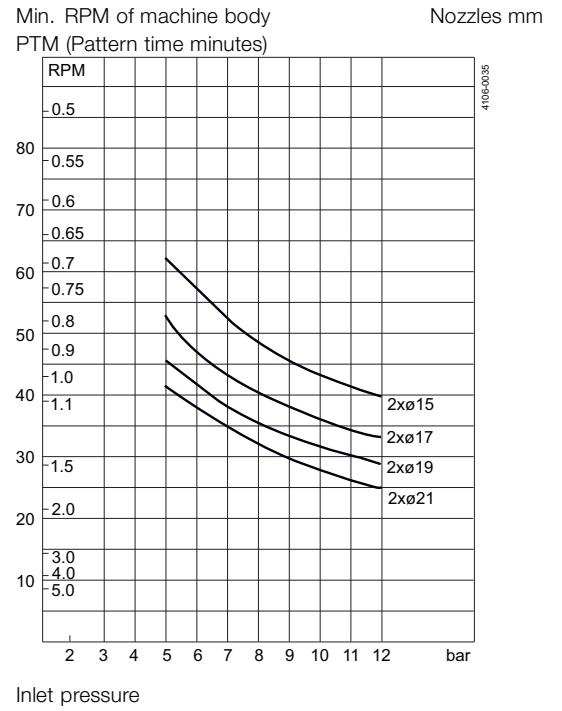




Dimensions (mm)



Cleaning Time, Complete Pattern



A	B	C	D	F	G	H
242	110	337	220	ø343	ø424	ø223

Alfa Laval reserves the right to change specifications without prior notification. ALFA LAVAL is a trademark registered and owned by Alfa Laval Corporate AB.

ESE00312EN 1507

© Alfa Laval

How to contact Alfa Laval

Contact details for all countries are continually updated on our website. Please visit www.alfalaval.com to access the information direct.