



## **CED 1500**

### **Hi Performance Dispenser**

The CED 1500 is designed using the highest quality materials and state-of-the-art technology providing our customers with consistent drink quality.

- Stainless steel cabinet, water bath, product lines, and splash plate; removable refrigeration deck
- Available with 5 or 6 post-mix dispensing valves
- All valves can be serviced independently
- Insulation is CFC-free structural foam
- All installation from front of unit
- CFC-free, R134A Refrigerant
- Optional lighted front marquee kit and leg kit
- Standard capacity 1/3 hp, 30 lb ice bank, flooded manifold
- Flex manifold configuration for multiple non-carbonated drinks



ETL CERTIFIED TO UL STD 471 AND  
CAN/CSA STD 22.2 NO. 120



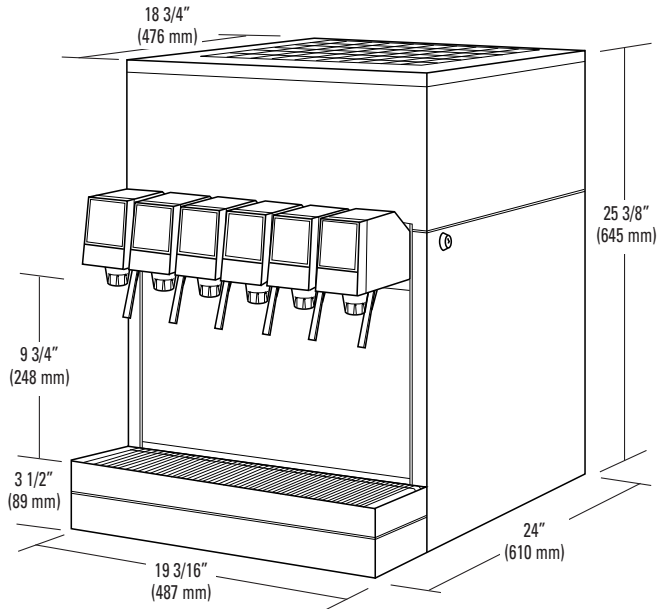
# CED 1500 Hi Performance

## OPTIONS

Lighted Marquee



## SPECIFICATIONS



### COMPRESSOR

1/3 hp

### MOTORS

Agitator: 25 w  
Condenser fan: 9 w

### ICE BANK CONTROL

Lancer Electronic Ice Bank Control

### TRANSFORMER

24 VAC Secondary

### WATER

Capacity: 12 gallons

### DIMENSIONS

Width: 19.187 in (487 mm)  
Depth: 24 in (610 mm)  
Height: 25.375 in (645 mm)

### ELECTRICAL

115VAC/60Hz, 4.5 AMPs  
230VAC/50Hz, 4.5 AMPs

### WEIGHT

Empty: 130 lbs (59 kg)  
Operating: 220 lbs (99.8 kg)  
Shipping: 150 lbs (68 kg)

### ICE

Capacity: 30 lbs (13.6 kg)

### FITTINGS

Soda inlets: 3/8" male barb  
Syrup inlets: 3/8" male barb

### VALVES

LEV<sup>®</sup> and other valves available upon request

### FLEX MANIFOLD CONFIGURATION

5 valve 2-2-1  
6 valve 3-2-1

### KEY LOCK SWITCH

## DRAW PERFORMANCE

### Number of Drinks Below 40°F

#### 75°F (24°C) Ambient Temperature

395 drinks; 12oz. / 2 drinks per minute  
220 drinks; 12oz. / 4 drinks per minute

#### 90°F (32°C) Ambient Temperature

200 drinks; 12oz. / 2 drinks per minute  
106 drinks; 12oz. / 4 drinks per minute

**Warranty:** For warranty specifics by product, contact your Lancer Sales Representatives.

CORPORATE OFFICE 6655 Lancer Blvd - San Antonio, TX 78219  
210-310-7000 - 1-800-729-1500 - FAX 210-310-7250 - www.lancercorp.com

Equipment design and/or specifications may change without notice.

"Lancer" is the registered trademark of Lancer © 2007 by Lancer, all rights reserved.

CED 1500 HI CC Spec Sheet 07/07