

LANCER®



22" Above Counter Ice Beverage Dispenser



The Bevariety™ ACIB is designed to offer limitless variety and unsurpassed drink quality – all on one dispenser. Reliability and easy maintenance are also hallmarks of the Bevariety™ ACIB.

- Multi-Valve Unit (MVU) offers 10-brand capability in 22" counter foot print
- New multi-flavor nozzle design provides enhanced pour performance
- Flexibility between multiflavor and LEV valve options (two valve positions)
- 2-brand ambient product capability
- Illuminated easily interchangeable merchandiser
- Merchandiser graphic panels compatible with Lancer IBD product
- Large capacity removable drip tray and cup rest
- Carb/non-carb flexibility: two LEV positions, two MVU positions
- Additional merchandising space for unique messaging on MVU



ETL CERTIFIED TO UL STD 783 AND
CAN/CSA STD 22.2 NO. 195



Bevariety™ ACIB 22

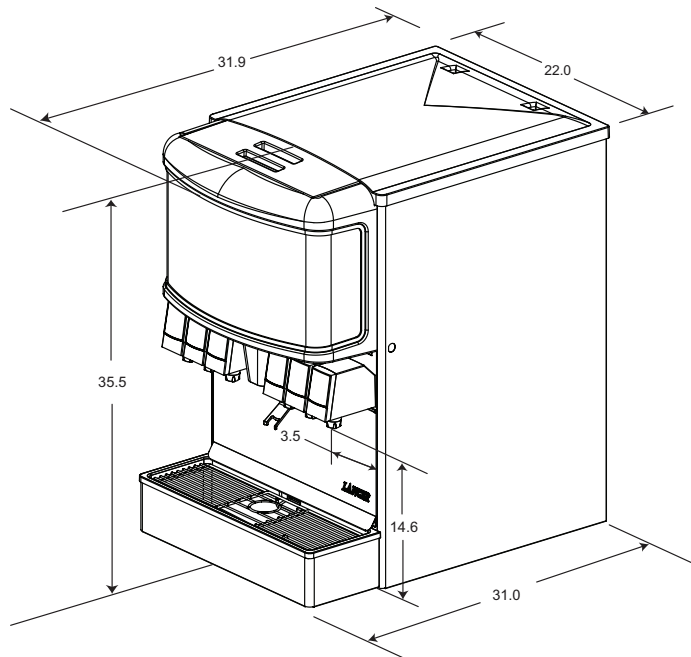
OPTIONS

6 LEV Valve Standard
4 LEV/2 MVU configuration Option

Extended Splash Plate
Optional for counters using
integrated drain trough
(seen below)



SPECIFICATIONS



<p>DIMENSIONS Width: 22 in (559 mm) Depth: 31 in (787 mm) Height: 35.5 in (902 mm)</p> <p>SPACE REQUIRED Left Side: 1 in (25 mm) Right side: 1 in (25 mm) Back: 1 in (25 mm) Top: 6 in (152 mm) Optional legs: 4 in (102 mm)</p>	<p>ELECTRICAL 120VAC/60Hz, 2.25 AMPS</p> <p>WEIGHT Without ice: 270 lbs (122 kg) With ice: 420 lbs (190 kg) Shipping: 292 lbs (132 kg)</p>	<p>ICE Capacity: 150 lbs (68 kg) Dispensable: 125 lbs (56 kg)</p> <p>FITTINGS Soda inlets: 3/8" barb Syrup inlets: 3/8" barb</p> <p>WATER Filtered water 50 psi min</p>
--	--	--

Warranty: For warranty specifics by product, contact your Lancer Sales Representatives.

CORPORATE OFFICE 6655 Lancer Blvd - San Antonio, TX 78219
210-310-7000 - 1-800-729-1500 - FAX 210-310-7250 - www.lancercorp.com

Equipment design and/or specifications may change without notice.

"Lancer" is the registered trademark of Lancer Corporation © 2010 Lancer, all rights reserved.

Bevariety ACIB 22 Spec Sheet 02/10