

LANCER®



Drop In Beverage Dispenser



6 valves with MVU



8 valves

The Bevariety™ Drop-In Dispenser is designed to offer limitless variety and unsurpassed drink quality – all on one dispenser. Reliability and easy maintenance are also hallmarks of the Bevariety™ Drop-In.

- MVU expands brand variety to 12 dispensable flavors
- Removable 2-valve center section accommodates optional multi-flavor valve
- Easy touch portion controls or self serve levers
- Optional electric water spigot w/front activation
- Front barbed inlets for easier installation
- Non-CFC foamed insulation
- Hard plumbed stainless tower (SS Tubes)
- Cold-Contact Carbonation™ system and “Coldest Drink Design” provides best carbonation and coldest drinks in it’s dispenser class*
- Slanted cold plate for quicker drainage and cast-in carbonator tank
- Optional back marquee feature lighted graphics for maximum impact and splash guards
- Ice bin has permanent sanitary cover
- Valves 3, 4, 5 & 6 have carb/non-carb flexibility
- All-stainless, clean design with no exposed insulation



ETL CERTIFIED TO UL STD 783 AND
CAN/CSA STD 22.2 NO. 195

LANCER®

Bevariety™ Drop-In

OPTIONS

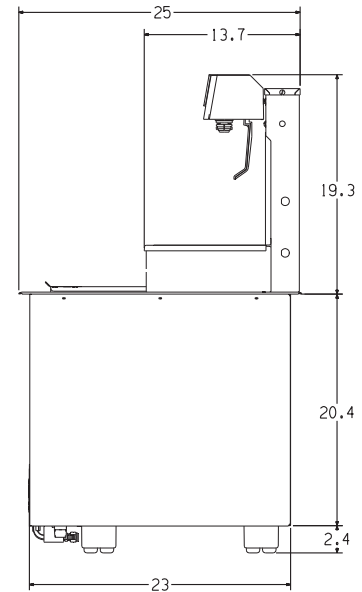
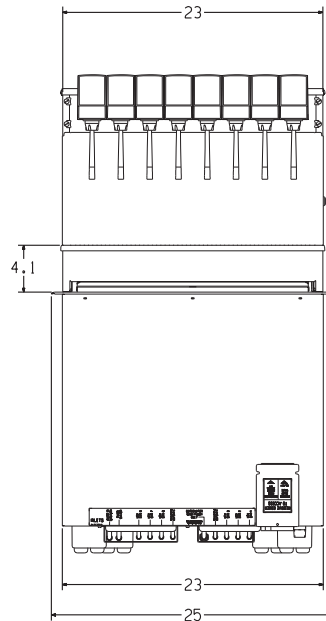
Marquee



Splash Guards



SPECIFICATIONS



DIMENSIONS

Width: 25 in (63.5cm)
Depth: 25 in (63.5cm)
Height: 39.7 in (101cm)

ELECTRICAL

Dispenser: 24 VAC, 6 AMPS
Power Supply:
Input: 115 VAC, 12 AMPS
Receptacle: 115 VAC, 10 AMPS
Output: 24VAC, 75VA

WEIGHT

Without ice: 253 lbs (115 kg)
With ice: 365 lbs (165 kg)
Shipping: 296 lbs (134 kg)

ICE

Capacity: 100 lbs (45 kg)
Dispensable: 100 lbs (45 kg)

FITTINGS

Soda inlets: 3/8" barb
Syrup inlets: 3/8" barb

WATER

Filtered water 50 psi min
Note: Low Profile Pump Deck

KEYLOCK SWITCH

Straight 8: Eight 3.0 oz/sec or 4.5 oz/sec LEVs
6 Flavor MVU: Six 3.0 oz/sec or 4.5 oz/sec LEVs

**Based on internal testing, under equivalent conditions, a Coca-Cola Bevariety™ - (Lancer model 85-2308C-122-07 Coca-Cola Legacy - (Lancer model 85-2378T-122-01) and Pepsi Intellicarb (IMI Cornelius model CB23223AHFK8)*

Warranty: For warranty specifics by product, contact your Lancer Sales Representatives.

CORPORATE OFFICE 6655 Lancer Blvd • San Antonio, TX 78219
210-310-7000 • 1-800-729-1500 • FAX 210-310-7250 • www.lancercorp.com

"Lancer" is the registered trademark of Lancer Corporation © 2010 Lancer, all rights reserved.

Bevariety Drop-In Spec Sheet 2/10

Equipment design and/or specifications may change without notice.