

LANCER®

IC 400

Drop-In and Free Standing Ice Chest



Drop-In Ice Chest



Free Standing Ice Chest

The IC 400 is designed using the highest quality materials and state-of-the-art technology providing our customers with consistent quality.

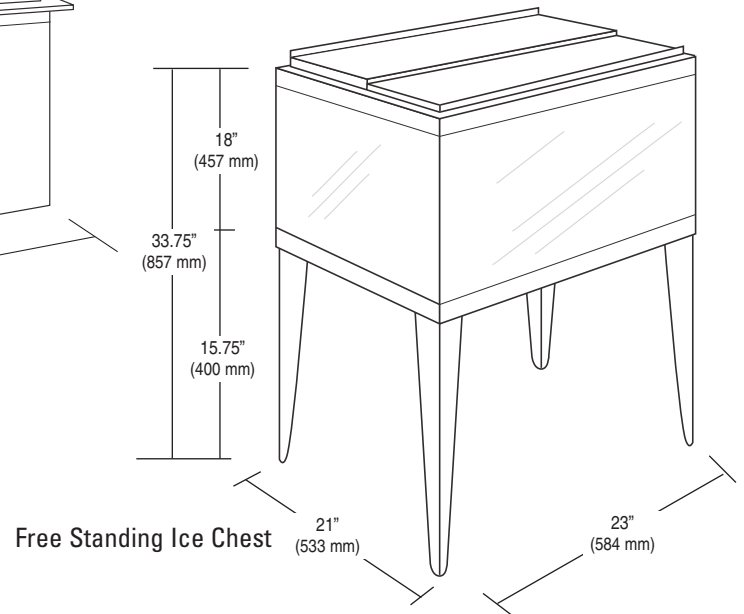
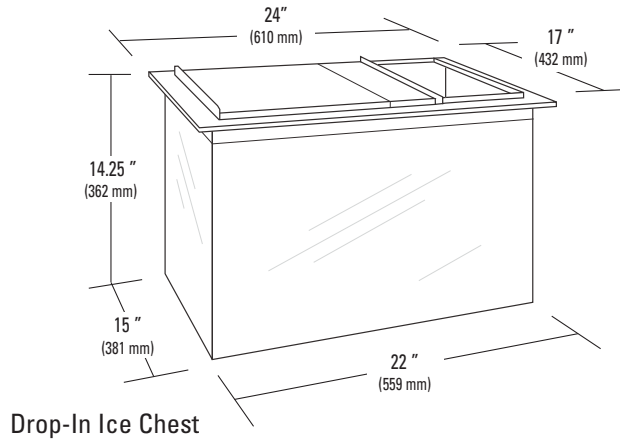
- One inch molded Polyurethane structural insulation on all sides and bottom
- 316L or 304 stainless steel available
- NSF approved sliding lids
- Available with or without sealed-in cold plate for post-mix
- All Stainless Steel construction
- Designed for post-mix
- 21" x 23" available with sealed-in cold plate; 9 circuit post-mix
- 15" x 23" available with sealed-in cold plate; 8 circuit post-mix
- Chests with 8 circuit cold plate have 1/2" drain



LANCER®

IC 400

SPECIFICATIONS



DIMENSIONS

15 x 22
Width: 22 in (559 mm)
Depth: 15 in (381 mm)
Height: 14.25 in (362 mm)

21 x 23
Width: 23 in (584 mm)
Depth: 21 in (533 mm)
Height: 18 in (457 mm)

SPACE REQUIRED

Counter cut-out should be 1/4" (6.35 mm) larger than dimensions

WEIGHT SHIPPING

15 x 22: 90 lbs (40.8 kg)
21 x 23: 114 lbs (51.7 kg)

ICE CAPACITY

15 x 22: 60 lbs (27.2 kg)
21 x 23: 100 lbs (45.4 kg)

Warranty: For warranty specifics by product, contact your Lancer Sales Representatives.

CORPORATE OFFICE 6655 Lancer Blvd - San Antonio, TX 78219
210-310-7000 - 1-800-729-1500 - FAX 210-310-7250 - www.lancercorp.com

Equipment design and/or specifications may change without notice.

"Lancer" is the registered trademark of Lancer Corporation © 2010 Lancer, all rights reserved. IC 400 Drop-In & Free Standing Chest Spec Sheet 01/10