

**Product Information**

**Safety RTD Sensor  
 TR293**



**Characteristics**

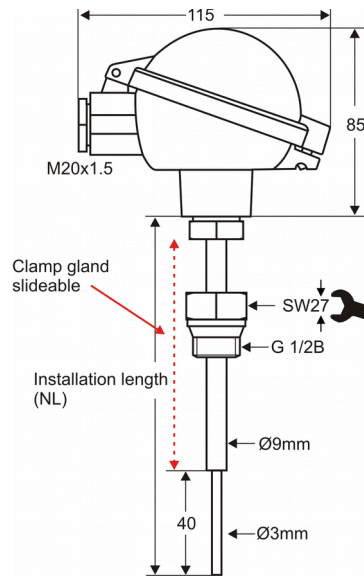
- Fast response sensor for measurement in exhaust gas and air
- Certified as Sensor for Safety Temperature Limiters STL50 for gaseous media acc. to SIL 2 (DIN EN 61508) and DIN EN 14597 (substitute DIN 3440)
- Ex certified to ATEX Ex-i GD for gases and dust
- Sensor with 2 x Pt100 class A, 3-wire
- Max. operating temperature -100..+600 °C
- Process pressure 25 bar
- Protection tube D = 9/3 mm, stainless steel 1.4571
- Process connection clamp gland G 1/2 B
- Terminal head BSZ (Aluminum) IP65 with snap-lid

**Temperature equalization**

The 63.2 % step-response time of temperature variation at the probe tip will be:

**Medium T63.2%**  
 Exhaust typical 20 s  
 Air typical 22 s

**Dimensions**



**Ordering code**

1. 2. 3. 4. 5. 6. 7. 8.  
 -  -  -  -  -  -  -

<b>1. Type</b>	TR293
<b>2. Variation</b>	00 standard Ex Ex certified acc. to ATEX Ex-i GD
<b>3. Measuring elements</b>	2 2 elements Pt100 class A, 3-wire
<b>4. Protection tube diameter</b>	9/3 9mm to 3mm reduced
<b>5. Installation length NL</b>	100 100 mm 160 160 mm 250 250 mm 400 400 mm 600 600 mm XX custom length
<b>6. Process connection</b>	KV 1/2 B clamp gland, slide-able 1/2 "
<b>7. Terminal head</b>	BSZ with snap-lid (Aluminum)
<b>8. Max. operating temperature</b>	600°C

(Custom variation on request)