

# STEEL CONVEYOR ROLLER SERIES 1200

*Complete steel conveyor roller for extreme temperatures*



Conveyor Rollers  
Cold/Warm  
Series 1200

## Product Description

- Durable, tough, complete steel conveyor roller
  - Pressed and zinc-plated bearing seats with hardened running groove
- Gentle lateral pushing of the materials to be conveyed
  - Rounded tube ends
- Extended temperature ranges of -28 °C to +80 °C
- Driven and non-driven container conveyor technology
- Antistatic version
- Zinc-plated steel bearing housing
- Shape of ball bearing optimised for conveyor rollers, permits greater bearing deflection
- Platform 1200

## Technical Data

General technical data	
Max. load capacity	1,200 N
Max. conveyor speed	0.8 m/s
Temperature range	-28 to +80 °C
Materials	
Bearing housing	Steel, zinc-plated
Ball bearing	Steel, hardened running grooves

The dynamic load and the surface load are the assumptions for the load capacity.

### Spring-loaded shaft version

Tube material	Ball bearing	Ø Tube mm	Ø Shaft mm	Max. load capacity in N with an installation length of mm													
				100	200	300	400	500	600	700	800	900	1000	1200	1400	1600	
Steel, zinc-plated	Metal ball bearing, hardened	30 x 1.2	8	120	120	120	120	120	120	120	120	120	120	120	120	120	120
		50 x 1.5	10	1200	1200	1200	1200	1200	1200	1200	1200	920	825	750	640	560	440

### Female threaded shaft version

Tube material	Ball bearing	Ø Tube mm	Ø Shaft mm	Max. load capacity in N with an installation length of mm													
				100	200	300	400	500	600	700	800	900	1000	1200	1400	1600	
Steel, zinc-plated	Metal ball bearing, hardened	50 x 1.5	12	1200	1200	1200	1200	1200	1200	1200	1200	1200	1200	1100	780	570	440

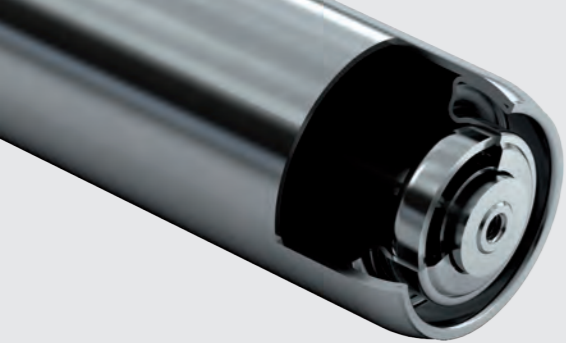
**Load capacity**

Customer benefits

Applications

Properties

Associated platform



# STEEL CONVEYOR ROLLER SERIES 1200

Complete steel conveyor roller for extreme temperatures

## Product Selection

### Spring-loaded shaft version

Tube		Ball bearing	Shaft	
Material	Ø mm		Reference number	
Steel, zinc-plated	30 x 1.2	Metal ball bearing, hardened	Ø 8 mm	Ø 10 mm
	50 x 1.5	Metal ball bearing, hardened	1.2A2.J31.E9F	1.2MG.JAA.H97

### Female threaded shaft version

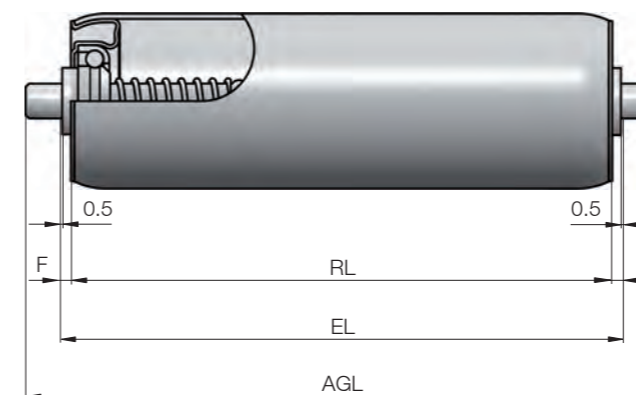
Tube		Ball bearing	Shaft
Material	Ø mm		Reference number
Steel, zinc-plated	50 x 1.5	Metal ball bearing, hardened	Ø 12 mm (M8 x 15) 1.2MH.JAA.L04

### Example of a reference number: 1.2A2.J31.E9F - 494

This reference number is for a conveyor roller Series 1200, Ø tube 30 mm, Ø shaft 8 mm, spring-loaded shaft and reference length 494 mm. The reference length RL can be found in the table of dimensions for spring-loaded shafts:  $RL = EL - 6$ . The axial play of 0.5 mm per side has already been taken into account. The nominal clearance of your conveyor is 500 mm, which also corresponds to the installation length EL, i. e. the reference length is:  $500 - 6 = 494$  mm.

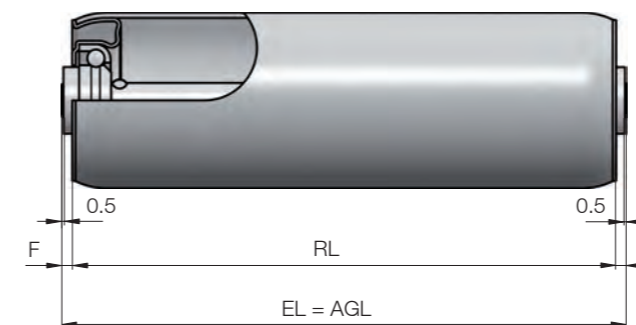
RL	Reference length/Ordering length
EL	Installation length
AGL	Total length of shaft
F	Length of the bearing assembly, including axial play

### Dimensions for spring-loaded shaft



Ø Shaft mm	Ø Tube mm	RL mm	AGL mm	F mm
8	30	EL - 6	EL + 16	4
10	50	EL - 6	EL + 20	4

### Dimensions for female threaded shaft M8 x 15



Ø Shaft mm	Ø Tube mm	RL mm	AGL mm	F mm
12	50	EL - 6	EL	4

## Options

We can offer you the following options in addition to our standard products:

- Flanges
- Special surface finish for tubes
  - Hardened

Standards

Ordering example

Dimensions