

HEAVY-DUTY CONVEYOR ROLLER SERIES 3950



Conveyor Rollers
Fixed drive
Series 3950

The most stable fixed drive conveyor roller for heavy loads

Product Description

- Particularly sturdy, stable, fixed drive conveyor roller
 - Welded steel sprockets
- Compatible with Fixed Drive Conveyor Roller Series 3600
 - Identical sprocket dimensions
- Comprehensive drive versions
 - Roller-to-roller and tangential chain drive
- Gentle lateral pushing of the materials to be conveyed
 - Rounded tube ends

- In-house driven conveyance of heavy materials to be conveyed
- Pallets, steel containers etc.

- Sealed precision ball bearing (6205 2RZ)
- Steel sprockets, welded to tube
- Zinc-plated as a component after welding

- Platform 1450

Technical Data

General technical data	
Max. load capacity	5,000 N
Max. conveyor speed	0.5 m/s
Temperature range	0 to +40 °C
Materials	
Bearing housing	Polyamide
Drive head	Steel
Seal	Polyamide
Ball bearing	Steel 6205 2RZ

The dynamic load and the surface load are the assumptions for the load capacity.

Female threaded shaft version

Ø Tube mm	Torque transmission	Max. load capacity in N with an installation length of mm							
		200	400	600	800	1,000	1,200	1,400	1,600
80 x 3	1 & 2 steel sprockets	5,000	5,000	5,000	5,000	5,000	5,000	4,740	3,600
89 x 3	1 & 2 steel sprockets	5,000	5,000	5,000	5,000	5,000	5,000	5,000	5,000

Product Selection

Female threaded shaft version

Tube		Ball bearing	Shaft		
Material	Ø mm		Reference number		
		Torque transmission	Ø 20 mm (M12 x 20) without flange	Ø 20 mm (M12 x 20) with flange	
Steel, zinc-plated	80 x 3.0	Steel sprocket 5/8", Z = 18	6205 2RZ	3.951.JJC.S9F	3.951.JJD.S9F
		Steel sprocket 5/8", Z = 15	6205 2RZ	3.951.JJP.S9F	3.951.JJ1.S9F
		2 steel sprockets 5/8", Z = 18	6205 2RZ	3.951.JKC.S9E	3.951.JKD.S9E
		2 steel sprockets 5/8", Z = 15	6205 2RZ	3.951.JKW.S9E	3.951.JK1.S9E
	89 x 3.0	Steel sprocket 5/8", Z = 18	6205 2RZ	3.952.JJE.S9F	3.952.JJF.S9F
		Steel sprocket 5/8", Z = 15	6205 2RZ	3.952.JJY.S9F	3.952.JJ2.S9F
		2 steel sprockets 5/8", Z = 18	6205 2RZ	3.952.JKE.S9E	3.952.JKF.S9E
		2 steel sprockets 5/8", Z = 15	6205 2RZ	3.952.JKY.S9E	3.952.JK2.S9E

On request, we can offer you further options in addition to our standard products (cf. the following double page).

Example of a reference number: 3.951.JJP.S9F - 464

This reference number is for a Conveyor Roller Series 3950, steel, zinc-plated, Ø tube 80 mm, steel sprocket 5/8", Z = 15, Ø shaft 20 mm, female threaded shaft without flange and reference length 464 mm. The reference length RL can be found on the dimensioned drawing: RL = EL - 36. The axial play of 0.5 mm per side has already been taken into account. The nominal clearance of your conveyor is 500 mm, which also corresponds to the installation length EL, i. e. the reference length is: 500 - 36 = 464 mm.

Standards

Ordering example

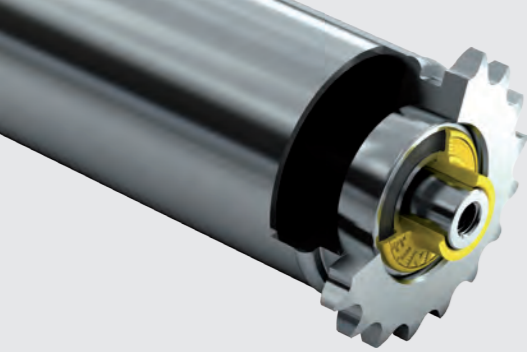
Customer benefits

Applications

Properties

Associated platform

Load capacity



HEAVY-DUTY CONVEYOR ROLLER SERIES 3950



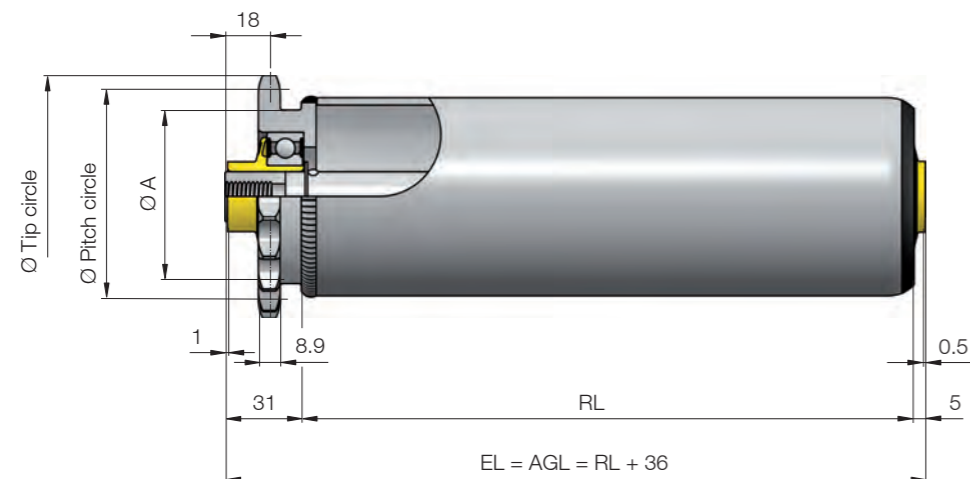
Conveyor Rollers
Fixed drive
Series 3950

The most stable fixed drive conveyor roller for heavy loads

Dimensions

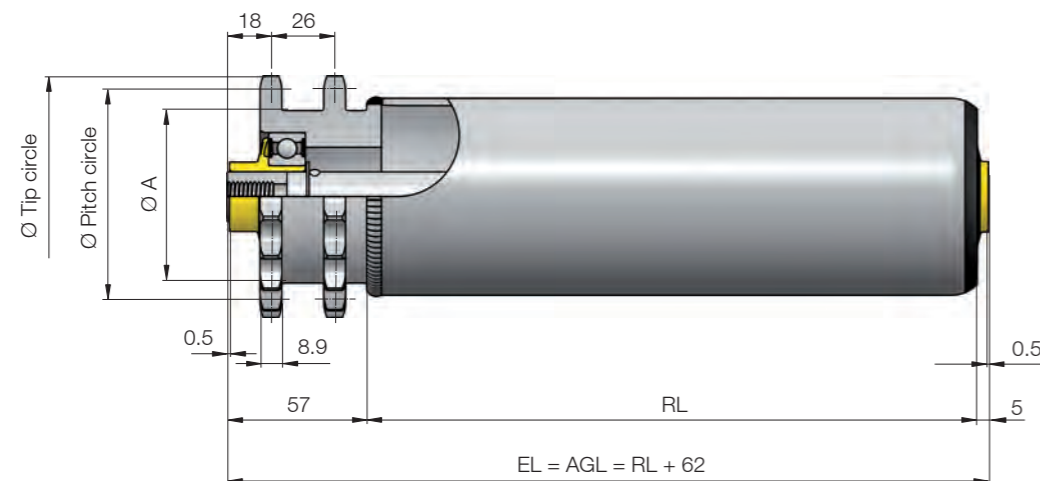
RL	Reference length/Ordering length
EL	Installation length
AGL	Total length of shaft

Dimensions for steel sprocket 5/8", without flange



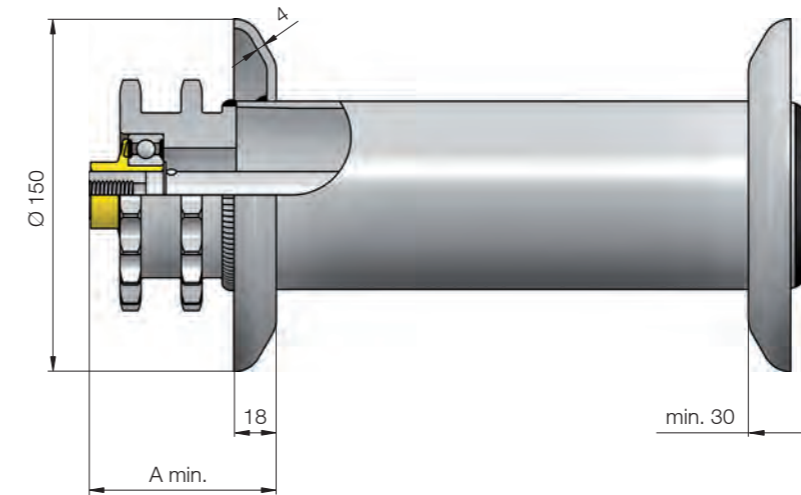
Number of teeth	Ø Tip circle mm	Ø Pitch circle mm	Ø A mm
15	83	76.36	60
18	98	91.42	70

Dimensions for 2 steel sprockets 5/8", without flange



Number of teeth	Ø Tip circle mm	Ø Pitch circle mm	Ø A mm
15	83	76.36	60
18	98	91.42	70

Dimensions for flange



Drive	Pitch A of flange mm
Sprocket	Min. 54
2 sprockets	Min. 80

Options

We can offer you the following options in addition to our standard products:

- Uncoated steel drive head with welded zinc-plated steel tube