

ANTI-VIBRATION BRACKETS

Interroll bracket mounting system

Product Description

- ✓ For Interroll Drum Motor 80C, 80S-SMP, 80S DC, 113C, 113S-SMP, 113S DC
- ✓ Anti-vibration bracket with rubber insulation part for reduction of noise and vibration
- ✓ The bracket is designed, so that the drum motor shaft is secured should the rubber become damaged
- ✓ With 2 brackets fitted, max. torque of drum motor must be limited to 40 Nm

Reference Number

Anti-vibration Brackets	S1DGU8
Rubber	S1DGP6

Dimensions

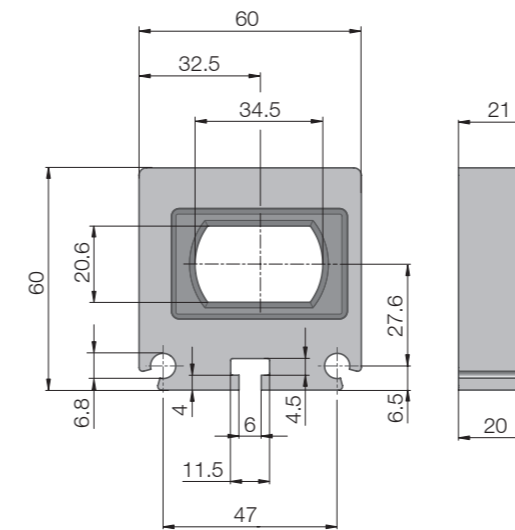


Fig.: Anti-vibration Brackets

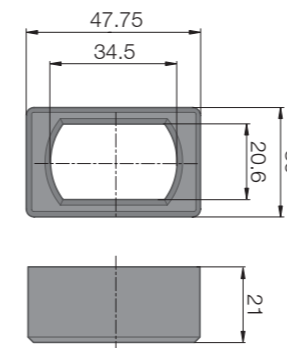


Fig.: Rubber