

Air Flow Switch for Ducts



measuring
•
monitoring
•
analyzing

LPS



- Adjustable Switch Point
- Micro Switch Rated to 15 Amps
- Max. Temperature: 185 °F



KOBOLD companies worldwide:

ARGENTINA, AUSTRALIA, AUSTRIA, BELGIUM, BULGARIA, CANADA, CHILE, CHINA, COLOMBIA, CZECH REPUBLIC, EGYPT, FRANCE, GERMANY, HUNGARY, INDIA, INDONESIA, ITALY, MALAYSIA, MEXICO, NETHERLANDS, PERU, POLAND, REPUBLIC OF KOREA, ROMANIA, SINGAPORE, SPAIN, SWITZERLAND, TAIWAN, THAILAND, TUNISIA, TURKEY, UNITED KINGDOM, USA, VIETNAM

KOBOLD Instruments, Inc.
1801 Parkway View Drive
Pittsburgh, PA 15205
☎ Main Office:
1.412.788.2830
☎ 1.412.788.4890
info@koboldusa.com
www.koboldusa.com



Air Flow Switch for Ducts Model LPS

Description

KOBOLD LPS air flow switches are widely used to control flow setpoints in HVAC applications. In addition to being rugged, they have the added benefit of being inexpensive. The principle of operation is quite simple. Air flow exerts a force on a paddle, actuating a dust-tight microswitch. The switching point may be adjusted continuously within a wide range, making the LPS useful for a large variety of applications.

The instrument is factory set to switch at 195 FPM. To handle air velocities of more than 920 FPM, the paddle may be cut at a precalibrated mark. This automatically changes the factory set point to 490 FPM.

Applications

- Air Ducts in Air Conditioning Systems
- Air Discharge and Exhaust Gas Channels
- Pneumatic Conveyors
- On Filters
- On Cyclones
- Cooling and Drying Plants
- Ventilator/Blower Performance Monitoring

Specifications

Adjustable Velocity Range

Switch-off Values: 195...1575 FPM

Switch-on Values: 495...1810 FPM

Installation: Vertical, in Horizontal Air Ducts

Inlet/Outlet Pipe Sections: Each with 5 x DN

Media/Environment Temperature: Max. 185 °F

Electrical Details

Micro Switch: Dust-proof SPDT

Switching Voltage: 24...250V_{AC}

Switching Current: Max. 8A (Inductive Load)

Max. 15A (Resistive Load)

Max. 185 °F

Air Temperature:

Material

Paddle: 304 SS

Lever: Brass

Housing: ABS, Fiberglass

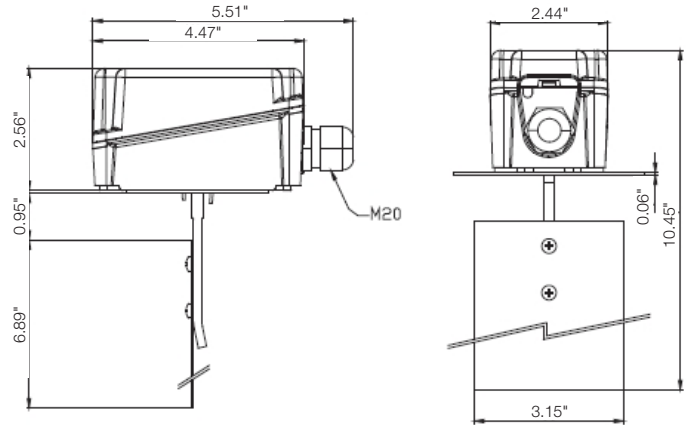
Mounting Plate: Zinc-plated Steel

Flat Gasket: Flexoid

Protection:

IP65 (External)

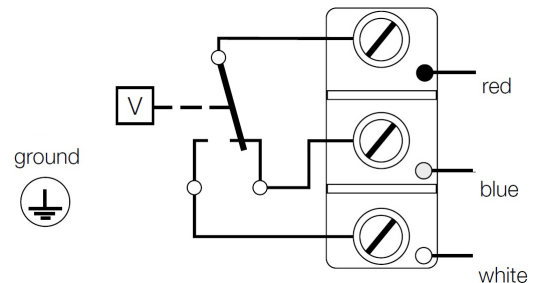
Dimensions



Electrical Connection

RED-WHITE opens with decreasing speed

RED-BLUE closes with increasing speed



Order Details: (Example: LPS-1100P)

Adjustable Velocity Range FPM				Order Number
Switching-off		Switching-on		
Min.	Max.	Min.	Max.	
195	1575	495	1810	LPS-1100P