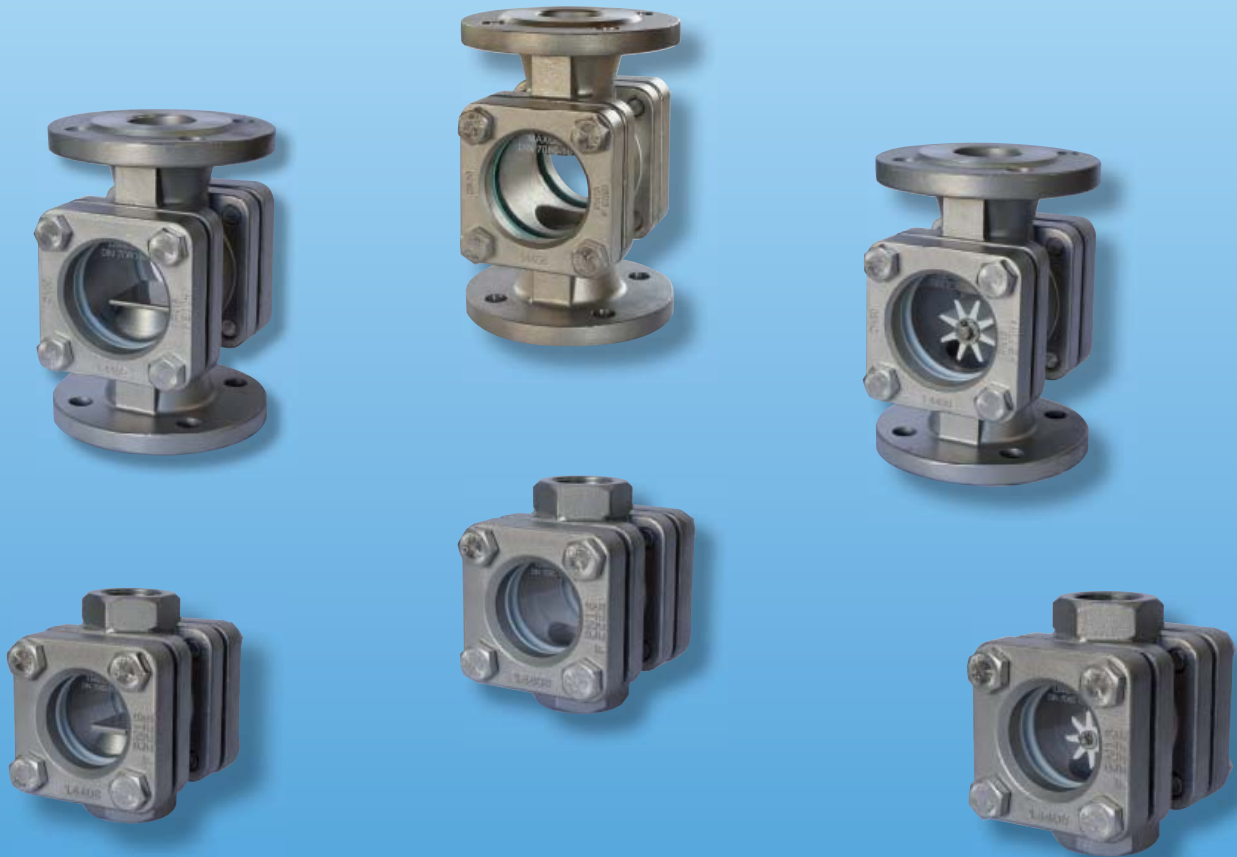


# Sight Flow Indicators for Liquids



measuring  
•  
monitoring  
•  
analyzing

## DA Series



- $p_{max}$ : 230 PSIG (Optional 360 or 580 PSIG)
- $t_{max}$ : 250 or 300 °F, Depending on Model (Optional 530 °F)
- Connections: 1/4"... 2" NPT, 1/2"... 8" ANSI Flange
- Material: Cast Iron, Cast Steel, or Stainless Steel
- Graphite Seals



KOBOLD companies worldwide:

ARGENTINA, AUSTRALIA, AUSTRIA, BELGIUM, BULGARIA, CANADA, CHILE, CHINA, COLOMBIA, CZECH REPUBLIC, EGYPT, FRANCE, GERMANY, HUNGARY, INDIA, INDONESIA, ITALY, MALAYSIA, MEXICO, NETHERLANDS, PERU, POLAND, REPUBLIC OF KOREA, ROMANIA, SINGAPORE, SPAIN, SWITZERLAND, TAIWAN, THAILAND, TUNISIA, TURKEY, UNITED KINGDOM, USA, VIETNAM

KOBOLD Instruments, Inc.  
1801 Parkway View Drive  
Pittsburgh, PA 15205  
Main Office:  
1.800.998.1020  
1.412.788.4890  
info@koboldusa.com  
www.koboldusa.com



**Models, Materials, and Mounting Positions**

**Model DAK with Flap Indication**

Component	DAK-21..	DAK-12../22..	DAK-13../23..
Flap	316-Ti Stainless Steel		
Housing	Grey Cast Iron 0.6025	316 Stainless Steel (1.4408)	Cast Steel 1.0619
Cover Plates	Grey Cast Iron 0.6025/ S235JRG2	316 Stainless Steel (1.4408)/ 316 Stainless Steel (1.4301)	Cast Steel 1.0619/ S235JRG2
Sight Glass	Soda-Lime Glass DIN 8902 (up to 300 °F, 230 PSI max) Optional Borosilicate Glass DIN 7080 (up to 530 °F max)		
Screws	Zinc-plated Steel	Stainless Steel	Zinc-plated Steel
Seals	Graphite (Others upon Request)		
Mounting Position	Horizontal or Vertical with Flow from Bottom to Top		
Operating Pressure:	230 PSIG max (Optional 360 PSIG or 580 PSIG)		



**Model DAR with Rotor Indication**

Component	DAR-21..	DAR-12../22..	DAR-13../23..
Rotor:	Plastic (up to 250 °F) or Option "R" PTFE up to 500 °F (Nominal Size 2" and above: PTFE Standard)		
Housing:	Grey cast iron 0.6025	316 Stainless Steel (1.4408)	Cast Steel 1.0619
Cover Plates:	Grey Cast Iron 0.6025/ S235JRG2	316 Stainless Steel (1.4408)/ 316 Stainless Steel (1.4301)	Cast Steel 1.0619/ S235JRG2
Sight Glass:	Soda-Lime Glass DIN 8902 (up to 250 °F, 230 PSI max) Optional Borosilicate Glass & PTFE Rotor DIN 7080 (up to 500 °F max)		
Screws:	Zinc plated Steel	Stainless Steel	Zinc-plated Steel
Sealing:	Graphite (Others on Request)		
Mounting Position:	Universal		
Operating Pressure:	230 PSIG max (Optional 360 PSIG or 580 PSIG)		



**Model DAT with Drip Indication**

Component	DAT-21..	DAT-12../22..	DAT-13../23..
Housing*:	Grey Cast Iron 0.6025	316 Stainless Steel (1.4408)	Cast Steel 1.0619
Cover Plates:	Grey Cast Iron 0.6025/ S235JRG2	316 Stainless Steel (1.4408)/ 316 Stainless Steel (1.4301)	Cast Steel 1.0619/ S235JRG2
Sight Glass:	Soda-Lime Glass DIN 8902 (up to 300 °F, 230 PSI max) Optional Borosilicate Glass DIN 7080 (up to 530 °F max)		
Screws:	Zinc-plated	Stainless Steel	Zinc-plated Steel
Seals:	Graphite (Others on Request)		
Mounting Position:	Any Position, Preferably Vertical, Flow from Top		
Operating Pressure:	230 PSIG max (Optional 360 PSIG or 580 PSIG)		



\* Threaded connections up to 1/2": inlet with half face plate; all others: drip tube



**Order Details: Threaded Connections** (Example: **DAK-1201H N08**)

Type of Indication	Body Material	Nominal Size	Connection (NPT)	Options
DAK-1.. = Flap	..2.. = Stainless Steel	..01H.. = 1/4"	..N08	..B = Borosilicate Glass, 230 PSIG max ..P = Borosilicate Glass, 360 PSIG max ..Q = Borosilicate Glass, 580 PSIG max ..R <sup>1)</sup> = PTFE Rotor
		..02H.. = 3/8"	..N10	
..03H.. = 1/2"		..N15		
DAR-1.. = Rotor		..04H.. = 3/4"	..N20	
	..05H.. = 1"	..N25		
DAT-1.. = Drip Tube	..3.. = Cast Steel	..06H.. = 1-1/4"	..N32	
		..07H.. = 1-1/2"	..N40	
		..08H <sup>2)</sup> .. = 2"	..N50	

<sup>1)</sup> Only for model DAR, not for models DAK or DAT.  
<sup>2)</sup> Model DAR with nominal size 2" comes standard with PTFE rotor.

**Order Details: Flange Connections** (Example: **DAK-2201H A15**)

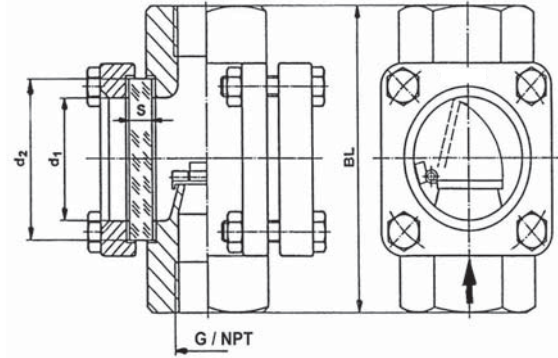
Type of Indication	Body Material	Nominal Diameter	Connection ANSI Flange (Class 150 lb)	Options
DAK-2.. = Flap	..1 <sup>3)</sup> .. = Cast Iron	..01H.. = 1/2"	..A15	..B = Borosilicate Glass, 230 PSIG max (Class 150 lb) ..P = Borosilicate Glass, 360 PSIG max (Class 300 lb) for Stainless Steel or Cast Steel Bodies Only ..Q = Borosilicate Glass, 580 PSIG max (Class 300 lb) for Stainless Steel or Cast Steel Bodies Only ..R <sup>1)</sup> = PTFE Rotor
		..02H.. = 3/4"	..A20	
		..03H.. = 1"	..A25	
DAR-2 <sup>2)</sup> .. = Rotor		..04H.. = 1-1/4"	..A32	
		..05H.. = 1-1/2"	..A40	
DAT-2.. = Drip Tube	..2.. = Stainless Steel	..06H.. = 2"	..A50	
		..07H.. = 2-1/2"	..A65	
		..08H.. = 3"	..A80	
		..3.. = Cast Steel	..09H <sup>6)</sup> .. = 4"	..A1H
			..10H <sup>5)6)</sup> .. = 5"	..A1Z
..11H <sup>4)5)6)</sup> .. = 6"			..A1F	
..12H <sup>4)5)6)</sup> .. = 8"		..A2H		

<sup>1)</sup> Only for model DAR, not for models DAK or DAT  
<sup>2)</sup> Model DAR with nominal diameter 2" and above come standard with PTFE rotor.  
<sup>3)</sup> Options "P" and "Q" (300 lb ANSI Flange) are not available for Cast Iron Models  
<sup>4)</sup> Models come standard with Borosilicate Glass  
<sup>5)</sup> Not available with Option "P", 360 PSIG only possible for 4" and under  
<sup>6)</sup> Not available with Option "Q", 580 PSIG only possible for 3" and under



**Dimensions for Models with a Threaded Connection:  
for Pressure Rating 230 PSIG (360/580 PSIG on Request)**

NPT	BL	d1	d2	Glass Thickness (S) 230 PSIG	Approx. Weight
1/4" 3/8" 1/2"	3.94"	1.26"	1.77"	0.39"	4.85 lbs
3/4"	4.73"	1.89"	2.48"	0.39"	7.50 lbs
1"	4.73"	1.89"	2.48"	0.39"	7.50 lbs
1-1/4"	6.30"	2.56"	3.15"	0.47"	15.43 lbs
1-1/2"	6.30"	2.56"	3.15"	0.47"	15.43 lbs
2"	9.06"	3.15"	3.94"	0.59"	22.49 lbs



**Dimensions for Pressure Rating According to ANSI 150/300 lbs**

Size	D		BL	d1	d2	Glass Plate		Approx. Weight 150 lb***
	150 lbs	300 lbs				S		
						150 lb	300 lb	
1/2"	3.50"	3.75"	5.12"	1.26"	1.77"	0.39"	0.39"	7.94 lbs
3/4"	3.86"	4.62"	5.91"	1.26"	1.77"	0.39"	0.39"	8.82 lbs
1"	4.25"	4.87"	6.30"	1.89"	2.48"	0.39"	0.59"	13.89 lbs
1-1/4"	4.65"	5.25"	7.09"	1.89"	2.48"	0.39"	0.59"	16.32 lbs
1-1/2"	5.0"	6.13"	7.87"	2.56"	3.15"	0.47"	0.79"	23.37 lbs
2"	5.98"	6.50"	9.06"	3.15"	3.94"	0.59"	0.98"	31.75 lbs
2-1/2"	7.01"	7.50"	11.42"	3.15"	3.94"	0.59"	0.98"	52.91 lbs
3"	7.52"	8.25"	12.20"	3.94"	4.92"	0.79"	1.18"	69.67 lbs
4"	8.98" *	10.00"	13.78"	4.92"	5.91"	0.98"	-	91.93 lbs
5"	10.00" *	11.00"	15.75"	5.91"	6.89"	0.98"	-	104.94 lbs
6"	10.98"	12.50"	18.90"	6.89"	7.87"	1.18" **	-	149.03 lbs
8"	13.50" *	15.00"	23.62"	6.89"	7.87"	1.18" **	-	260.15 lbs

\* Cast Iron versions diameter D according to DIN

\*\* Borosilicate glass only as standard

\*\*\* 300 lb weights upon request

