

Stainless Steel Bourdon Tube Pressure Gauge



measuring
•
monitoring
•
analyzing

DRF26



- Stainless Steel Construction for Maximum Corrosion Resistance
- Highly Dependable
- Pressures Up to 10,000 PSIG
- DIN Accuracy Class 1.0
- Pulsation and Vibration Damping Through Optional Glycerin Filling



KOBOLD companies worldwide:

ARGENTINA, AUSTRIA, BELGIUM, BULGARIA, CANADA, CHILE, CHINA, COLOMBIA, CZECH REPUBLIC, EGYPT, FRANCE, GERMANY, GREAT BRITAIN, HUNGARY, INDIA, INDONESIA, ITALY, MALAYSIA, MEXICO, NETHERLANDS, PERU, POLAND, ROMANIA, SINGAPORE, SOUTH KOREA, SPAIN, SWITZERLAND, TAIWAN, THAILAND, TUNISIA, TURKEY, USA, VIETNAM

KOBOLD Instruments, Inc.
1801 Parkway View Drive
Pittsburgh, PA 15205
Main Office:
1.800.998.1020
1.412.788.4890
info@koboldusa.com
www.koboldusa.com



Stainless Steel Bourdon Tube Pressure Gauge Model DRF26

Description

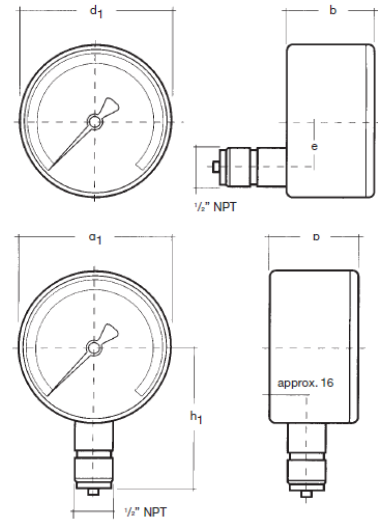
KOBOLD DRF26 stainless steel pressure gauges are ideal for use in demanding conditions requiring pressure measurement within production facilities in the chemical industry and other comparable areas. Resistance to aggressive media in corrosive environments is achieved by using high-grade materials such as stainless steel both for the internal movement and external housing. They can be used for liquid or gaseous medias which do not crystallize and are not highly viscous. A range of sizes and process fitting configurations allow the user to adapt the instruments as appropriate. The pressure gauges comply with general international guidelines and take into account both the DIN standard as well as application specific requirements.



Specifications

Ranges:	-14.7...10,000 PSIG
Over Pressure	
Protection Momentary:	1.3 x Range Max.
Sensing Element:	Bourdon Tube
Accuracy Class:	DIN Class 1.0
Operating Temperature	
Media:	Freezing...176 °F
Ambient:	Dry: -4...176 °F Glycerine Filled: -4...140 °F
Process Fitting:	1/2" MNPT
Materials of Construction	
Wetted Parts	
Element:	316-Ti SS
Fitting:	316-Ti SS
Exterior	
Movement:	Stainless Steel
Housing:	304 SS
Bezel:	304 SS
Pointer:	Black Aluminum
Indicator Dial:	White Aluminum
Window:	Safety Glass
Option:	Glycerine Filling

Dimensions



Housing Diameter d_1+1	b	e	h_1+1
3.94"	1.97"	1.26"	3.43"
6.30"	1.97"	1.97"	4.65"

DRF26 Ordering Information							
DRF26-	= All Stainless Steel Bourdon Tube Pressure Gauge						
..1	= 100 mm (4 inch) Dial Face, Bottom Process Connection						
..2	= 100 mm (4 inch) Dial Face, Rear Process Connection						
..3	= 160 mm (6 inch) Dial Face, Bottom Process Connection						
..4	= 160 mm (6 inch) Dial Face, Rear Process Connection						
..H00	= -30"...0" Hg	..210	= 100 PSIG	..260	= 600 PSIG	..350	= 5000 PSIG
..115	= 15 PSIG	..216	= 160 PSIG	..310	= 1000 PSIG	..410	= 10000 PSIG
..130	= 30 PSIG	..220	= 200 PSIG	..320	= 2000 PSIG		
..160	= 60 PSIG	..230	= 300 PSIG	..330	= 3000 PSIG		
..F	= Optional Glycerine-Filled Indicator Assembly						
DRF26 - 1 216 F	Sample DRF26 Ordering Code						