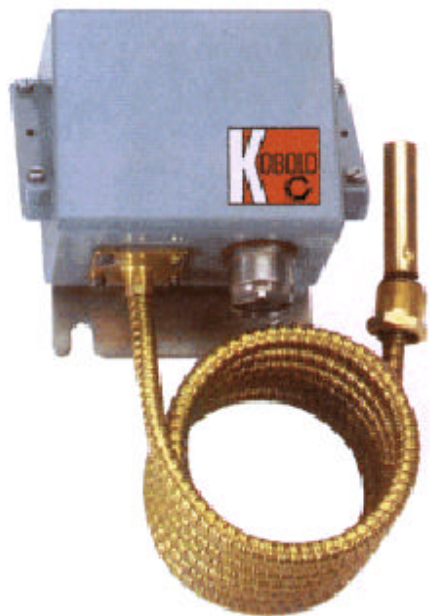


KOBOLD Model DTS Temperature Switch

User Instructions



USA

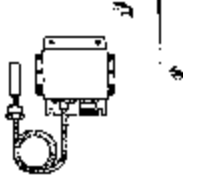
1801 Parkway View Drive
Pittsburgh, PA 15205
PH 412-788-2830

Canada

9A Aviation
Point Claire, QC H9R 4Z2
PH 514-428-8090

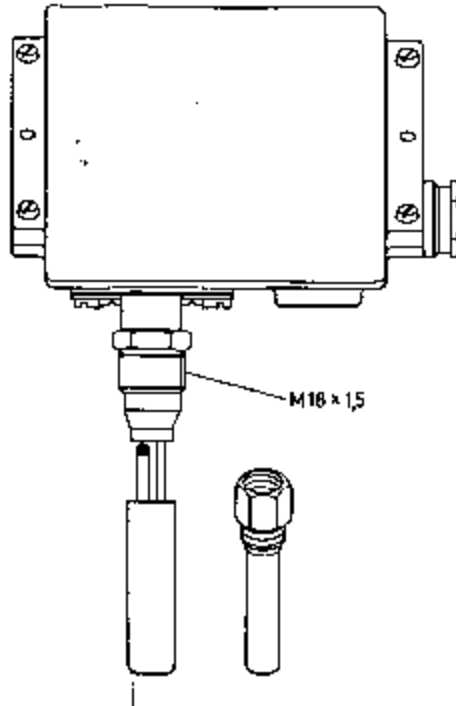
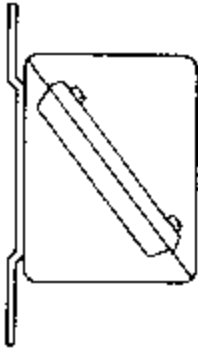
www.koboldusa.com

DTS INSTRUCTIONS

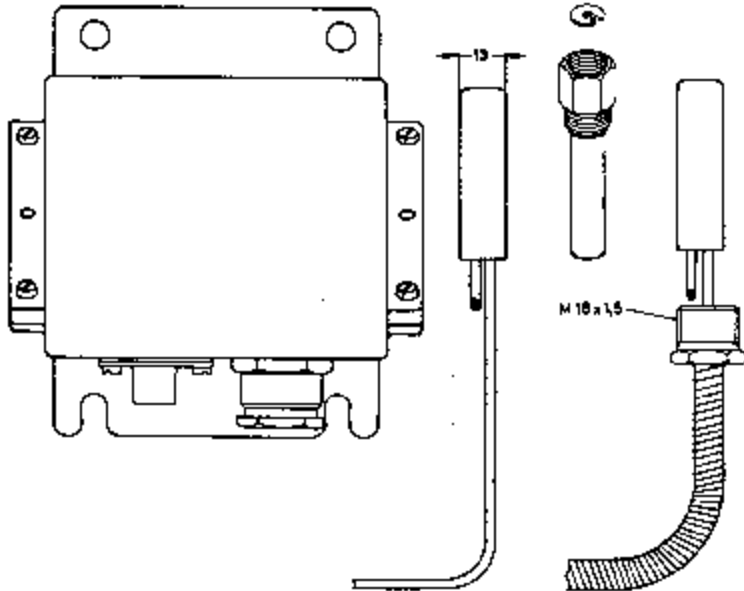
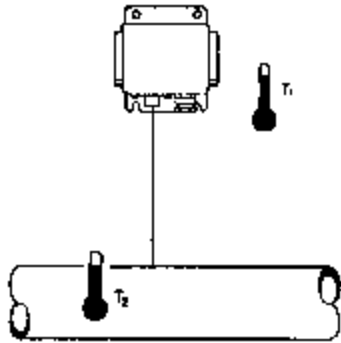


060R9301

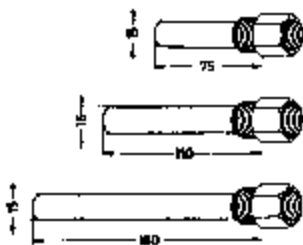
060R9301



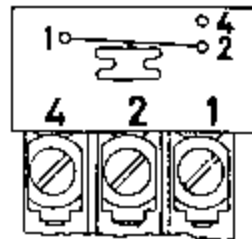
M16 x 1,5



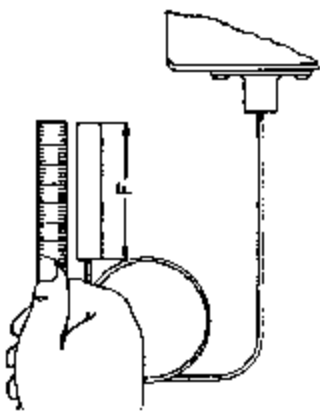
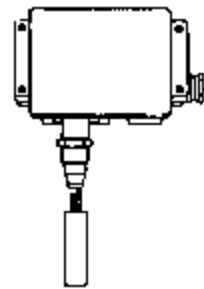
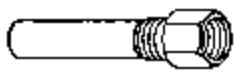
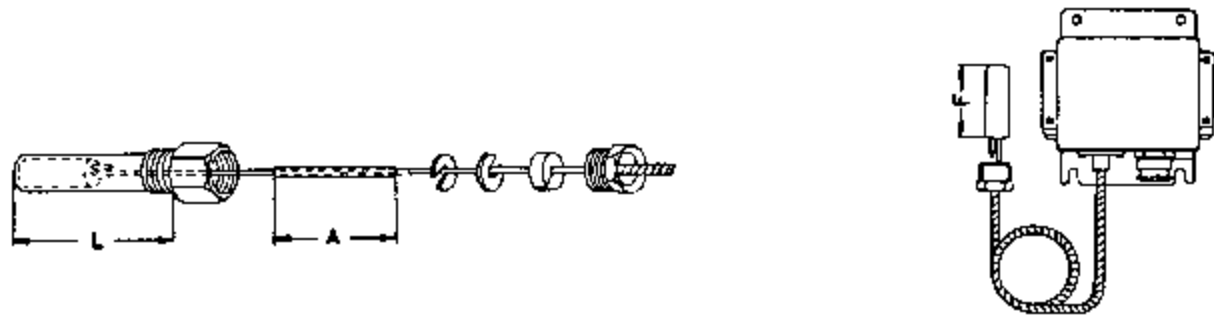
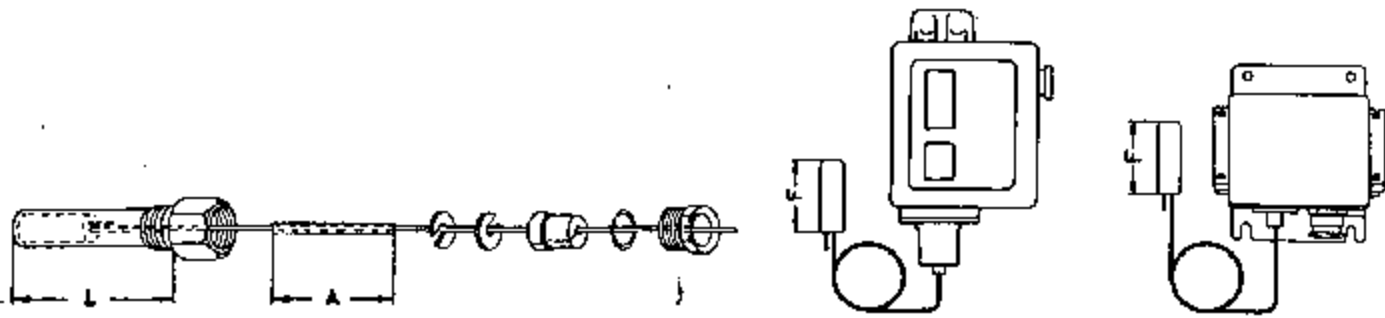
M16 x 1,5



L (mm)	Ms	St. 18/8
75	06DL3326	06DL3328
110	06DL3330	06DL3331
180	06DL3327	06DL3329



10 (6) A, 440 V ~ L.R. 50 A
220 V, 12 W --- PILOT



	L=65	L=75	L=110	L=160
$F = 47,5$				
$F = 75$				
$F = 85$				

