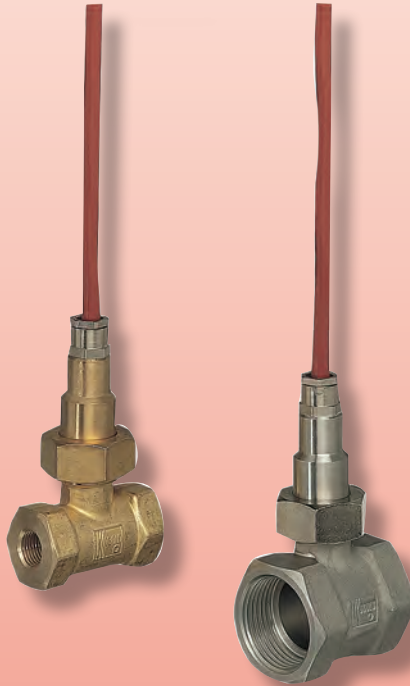


## Thermal Reed Temperature Switch



measuring  
•  
monitoring  
•  
analyzing

TRS



- Switchpoints from 50...248 °F
- Process Connections: 1/4" ...1"
- Brass/SS or All SS Wetted Parts
- Simple Inline Installation
- Highly Repeatable Setpoint



KOBOLD companies worldwide:

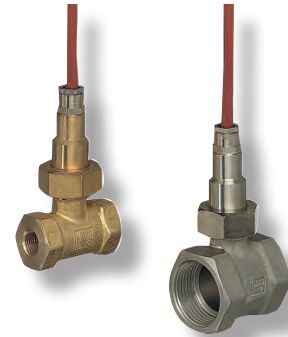
ARGENTINA, AUSTRIA, BELGIUM, BULGARIA, CANADA, CHILE, CHINA, COLOMBIA, CZECH REPUBLIC, EGYPT, FRANCE, GERMANY, GREAT BRITAIN, HUNGARY, INDIA, INDONESIA, ITALY, MALAYSIA, MEXICO, NETHERLANDS, PERU, POLAND, ROMANIA, SINGAPORE, SOUTH KOREA, SPAIN, SWITZERLAND, TAIWAN, THAILAND, TUNISIA, TURKEY, USA, VIETNAM

KOBOLD Instruments, Inc.  
1801 Parkway View Drive  
Pittsburgh, PA 15205  
☎ Main Office:  
1.800.998.1020  
1.412.788.4890  
✉ info@koboldusa.com  
www.koboldusa.com



**Description**

The KOBOLD TRS thermal reed switches are widely used for temperature monitoring and control. The rugged, straightforward design is noted for having both long life and reliability. Thermal reed switches have high repeatability as they are insensitive to the operating environment and are not affected by load current. Constructed with a rugged brass or stainless steel housing and 1/4" to 1" internal threads on both sides for inline installation, they are supplied with a 5' silicone jacketed cable for convenience. The temperature contacts have a fixed, factory-set switchpoint in intervals of 9 °F over the ranges of 50 °F to 122 °F and in intervals of 18 °F over the ranges of 140 °F to 248 °F.



**Specifications**

**Wetted Materials**

**Brass Housing:** Brass, 304 SS, FKM

**SS Housing:** 304 SS, FKM

**Cable:** 5 ft. (1.5m) Silicone Jacketed

**Process Temperature:** -40...248 °F

**Maximum Pressure**

**Brass:** 230 PSIG

**Stainless Steel:** 360 PSIG

**Setpoint Accuracy:** ±9 °F

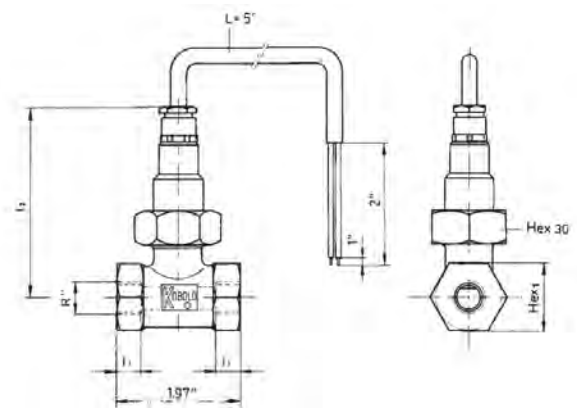
**Setpoint Hysteresis:** ≤18 °F

**Contact:** N/C (Opens on Rising Temperature)

**Contact Rating:** 10 W, 12 VA  
Max. 120 VAC/100 VDC/1.0 A

**Electrical Protection:** NEMA 4X / IP65

**Dimensions**



Connection (Internal Thread)	Hex <sub>1</sub>	l <sub>1</sub>	l <sub>2</sub>
1/4"	1.06"	0.39"	3.03"
3/8"	1.06"	0.39"	3.03"
1/2"	1.06"	0.39"	3.03"
3/4"	1.18"	0.59"	3.07"
1"	1.46"	0.59"	3.15"

**Order Details (Ex: TRS-11N25010)**

Housing Material	Fitting Type		Switchpoint	
TRS-11.. = Brass	..N08.. = 1/4" NPT	..R08.. = G 1/4	..010 = 50 °F (10 °C)	..060 = 140 °F (60 °C)
	..N10.. = 3/8" NPT	..R10.. = G 3/8	..015 = 59 °F (15 °C)	..070 = 158 °F (70 °C)
	..N15.. = 1/2" NPT	..R15.. = G 1/2	..020 = 68 °F (20 °C)	..080 = 176 °F (80 °C)
TRS-12.. = Stainless Steel	..N20.. = 3/4" NPT	..R20.. = G 3/4	..025 = 77 °F (25 °C)	..090 = 194 °F (90 °C)
	..N25.. = 1" NPT	..R25.. = G 1	..030 = 86 °F (30 °C)	..100 = 212 °F (100 °C)
			..040 = 104 °F (40 °C)	..110 = 230 °F (110 °C)
			..045 = 113 °F (45 °C)	..120 = 248 °F (120 °C)
		..050 = 122 °F (50 °C)		