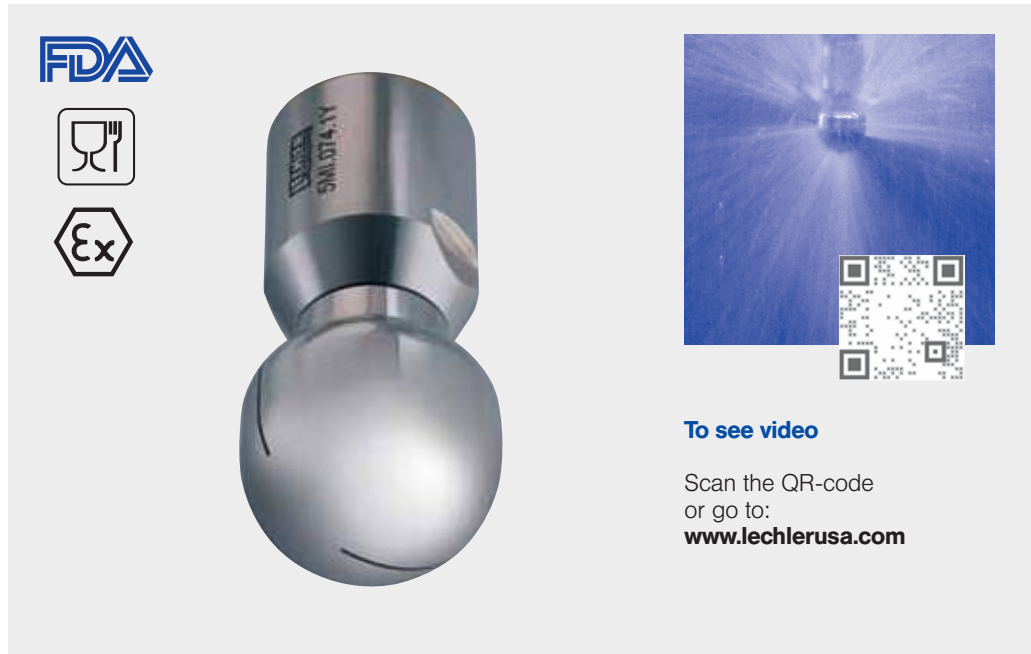




Rotating cleaning nozzle "MiniSpinner" Series 5MI

Series 5MI

The innovative slot design gives the MiniSpinner its high degree of effectiveness. Due to the modern bearing construction, it is particularly reliable and durable. The MiniSpinner is made entirely from stainless steel and designed for use also at high temperatures. Apart from stainless steel, it is also available in Hastelloy® and in many flow rates.



To see video

Scan the QR-code
or go to:
www.lechlerusa.com

	Max. tank diameter [ft]	0	5	10	15	20	25	30
--	--------------------------------	---	---	----	----	----	----	----



Materials

Stainless steel
AISI 316L,
Stainless steel
AISI 440C
Hastelloy® C22,
Hastelloy® C276



Max. temperature

284°F/ 140°C
194°F/ 90°C ATEX version



Recommended operating pressure

40 psi



Installation

Operates in every direction



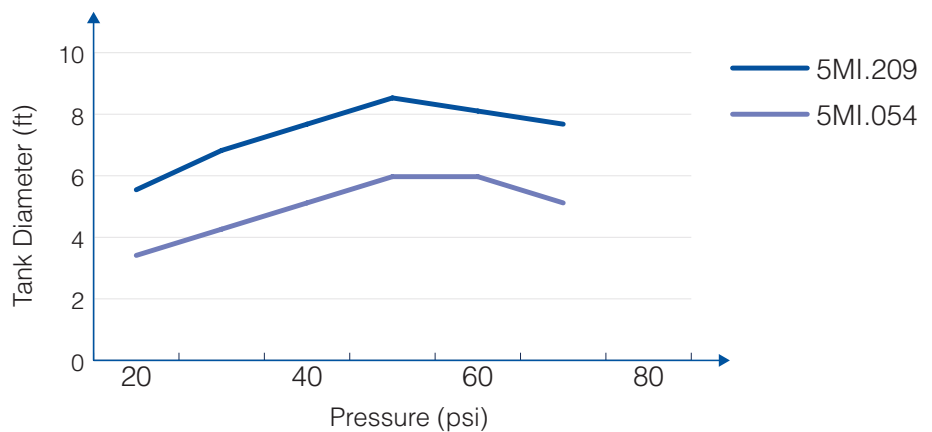
Filtration

Line strainer with
a mesh size of
0.1 mm/170 Mesh

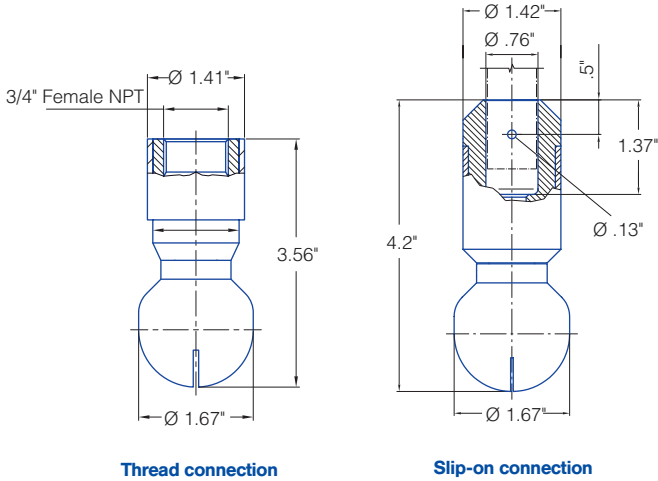


Bearing

Double ball bearing
made of AISI 440C
Double ball bearing
made of C276



Overview of the tank diameter, depending upon the pressure of series 5MI




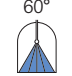
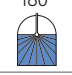

Example of ordering ATEX approval

Unit group / category / zones:
II 1 GD c T4 T 120 °C +5 °C ≤ Ta ≤ +90 °C

for zone 1, 2 (gas atmosphere)
for zone 21, 22 (dust atmosphere)

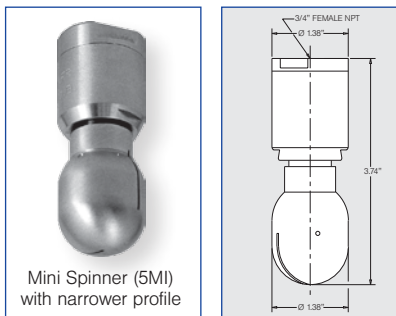




Example **Type** + **Connection** = **Ordering no.**
of ordering: 5MI.162.1Y.XX.EX + BH = 5MI.162.1Y.BH.EX

Spray angle 	Ordering no.						Free Passage (in.)	Flow Rate (Gallons Per Minute)					Max. tank diameter [ft]
	Type	Material no.		Connection*				10 psi	20 psi	liters per minute 2 bar	40 psi	60 psi	
		AISI 316L 1Y	C22** 21	1/2" Female NPT	3/4" Female NPT	3/4" OD Slip-on							
60° 	5MI. 162	○	○	BH	-	TF07	.102	9.8	13.8	63	20	24	-
180° 	5MI. 114	○	○	-	BL	TF07	.039	10.4	14.7	67	21	25	9
360° 	5MI. 054	○	○	-	BL	TF07	.019	4.7	6.6	30	9.3	11.4	6
	5MI. 074	○	○	-	BL	TF07	.023	7.6	10.8	49	15.2	18.6	7
	5MI. 014	○	○	-	BL	TF07	.035	10.7	15.1	69	21	26	8
	5MI. 209	○	○	-	BL	TF07	.059	18.8	26.4	100	31	38	8.5

* NPT, more slip-on sizes and weld-on versions on request
** Material no. 21 (Hastelloy C22) not FDA and (EG) 1935/2004 conform

The maximum tank diameter shown above applies for the recommended operating pressure and is indicative only. The cleaning result is also affected by the type of soiling.



Spray angle 	Ordering no.		Free Passage (in.)	Flow Rate (Gallons Per Minute)				Max. tank diameter [ft]
	Type	Conn. 3/4" Female NPT		20 psi	liters per minute 2 bar	40 psi	60 psi	
360° 	5MI. 089. 17	BL	.038	11	49	15	19	6
	5MI. 139. 17	BL	.059	15	69	21	26	7

Information on operation

- Operation with compressed air purge only for short-term usage. Operation above the recommended operating pressure means higher wear and smaller droplets. This might have adverse effects on the cleaning result.

Information

- R-clip made of stainless steel AISI 316L is included (Ordering no.: 095.013.1E.05.59), Hastelloy® C22 (Ordering no.: 095.013.21.50.60).
- Depending on diameter of the adapter the flow rate can increase due to leakage between the connection and rotating cleaning nozzle.

Example **Type** + **Material no.** + **Connection** = **Ordering no.**
of ordering: 5MI. 162. + 1Y + BH = 5MI. 162. 1Y. BH

