

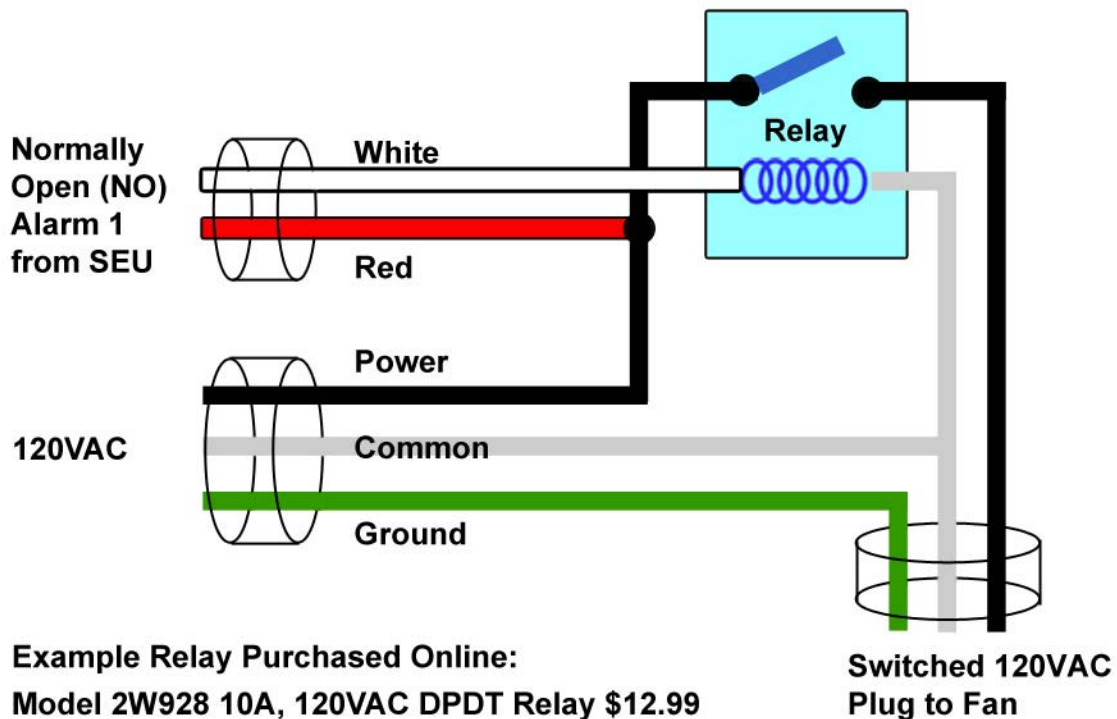
Application Note: Exhaust Fan Wiring Diagram

For RAD CO2 Safety Meters and more with 120VAC relays

Notes:

This diagram shows the connections required to control a 120VAC exhaust fan from a RAD-0102 Remote CO2 Storage Safety Dual Relay Alarm.

The same diagram can be used to connect any of our CO2 meters, transmitters or wall monitors that include on on-board 120VAC, 3A, normally open (NO) relay.



Example Relay Purchased Online:
Model 2W928 10A, 120VAC DPDT Relay \$12.99
Model 10E075 Square Relay Socket \$10.42