

# Sensor Pump Kit

## For Sample Draw Sensors

This sensor pump kit contains all the accessories you need to draw samples using our SenseAir or GSS sensors, including our sensor SDKs.

### Includes

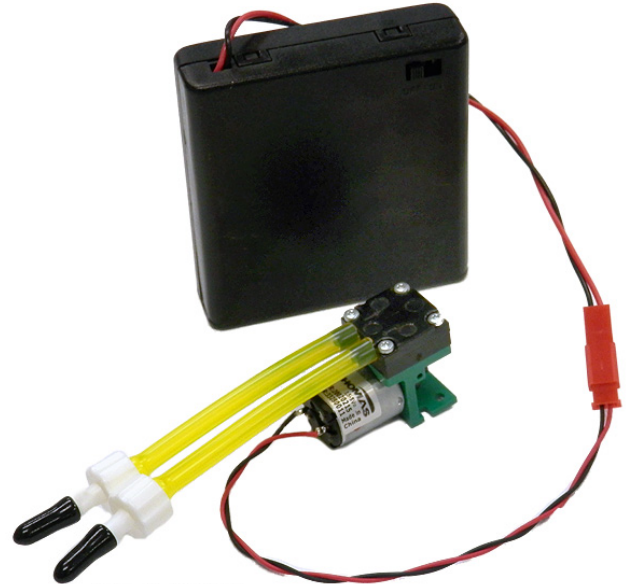
- Diaphragm Pump
- Pump Battery Pack
- 10' Tubing
- 2 CM-0118 Hydrophobic Filter (0.22 micron)
- 2 CM-0117 Particulate Filter (150 micron)
- 1 CM-0112 Water Trap

### Features

- Oil-less
- Maintenance free
- Balanced for smooth low vibration operation
- Low noise level
- Small
- Light weight
- High efficiency

### Applications

- Patient monitoring
- Anesthetic control
- Gas detection devices
- Personal protection devices
- Flue gas measurement
- Pipetting devices



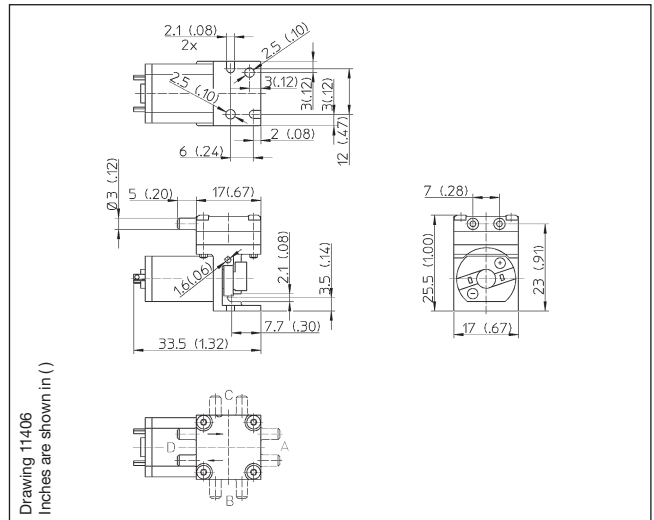
CM-0111

### Includes



# Diaphragm Pump 2002 VD LC

Flow	500 ml/min
Max. pressure	400 mbar
Max. vacuum	-400 mbar



## Pneumatic Data

Description	2002VD/0,5/E/LC
Part number	3,5 V 20020215 (3,5 to 5 V)
Max. flow	500 ml/min
Max. intermittent duty	380 to 400 mbar
Max. continuous pressure	150 mbar
Max. restart pressure	150 mbar
Max. vacuum	-360 to -400 mbar
Max. restart vacuum	-150 mbar

## Electrical Data

Motor type	Permanent magnet
Rated power	3,5 to 5 V/90 mA
Protection class	IP00
Bearing type	Sleeve bearing

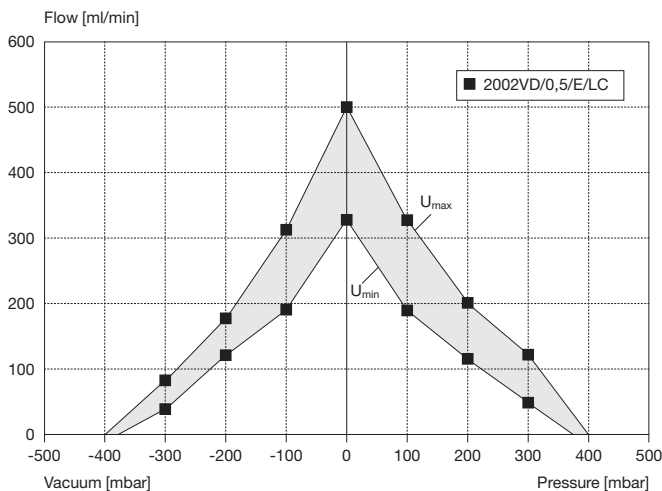
## General Data

Ambient temperature	10 to 50 °C
Media temperature	10 to 50 °C
Weight	17 g
Port direction	D

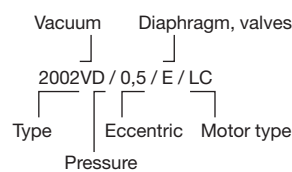
## Wetted Parts Options

Pump head	Phenol resin	Options
Diaphragm, valves	EPDM	FPM (Viton®), Silicone

## Flow Curves



Model key:



The information presented in this material is based on technical data and test results of nominal units. It is believed to be accurate and reliable and is offered as an aid to help in the selection of Thomas products. It is the responsibility of the user to determine the suitability of the product for the intended use and the user assumes all risk and liability whatsoever in connection therewith. Thomas does not warrant, guarantee or assume any obligation or liability in connection with this information.