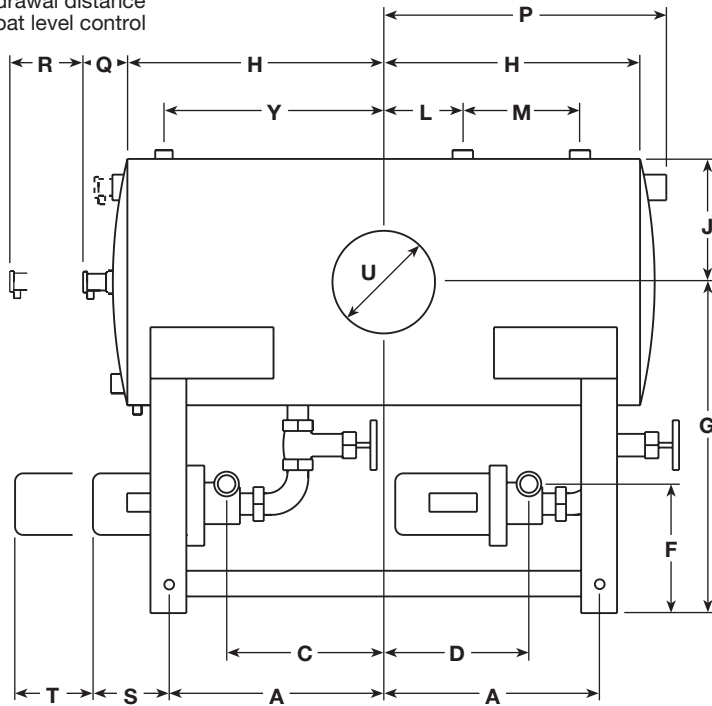


Series III Condensate Recovery Unit

With Copper Receiver

Withdrawal distance
for float level control

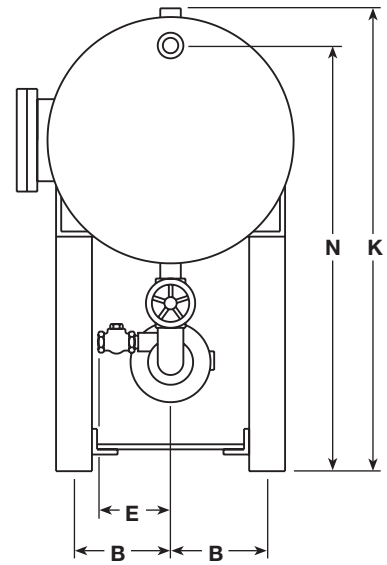
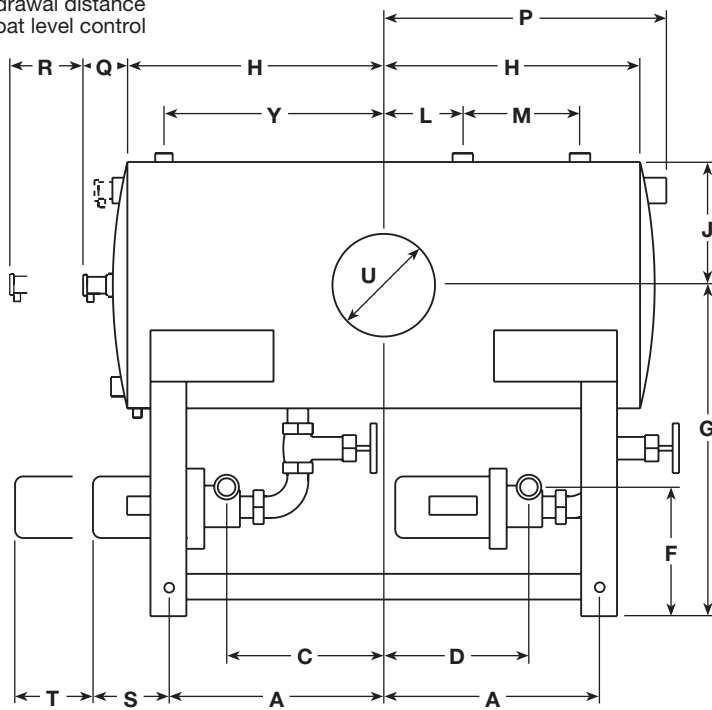


Withdrawal distance
for motor

Dimensions in mm (Note: these figures are for guidance only and not to be used for design purposes)

Unit	A	B	C	D	E	F	G	H	J	K	L	M	N	P	Q	R	S	T	U	Y
A0207	420	180	310	285	195	240	645	500	240	910	125	200	840	560	190	700	260	200	200	400
A2107	420	180	310	285	205	260	645	500	240	910	125	200	840	560	190	700	260	200	200	400
A2111	420	180	310	285	205	260	645	500	240	910	125	200	840	560	190	700	260	200	200	400
A0507	420	180	320	275	225	240	645	500	240	910	125	200	840	560	190	700	260	200	200	400
B5511	420	240	320	275	225	240	710	500	320	1050	125	200	965	560	215	700	260	200	200	400
B0507	420	240	320	275	225	240	710	500	320	1050	125	200	965	560	215	700	260	200	200	400
B0611	635	240	440	420	270	305	815	750	320	1165	125	200	1065	810	215	700	180	300	200	650
B0615	635	240	440	430	270	305	815	750	320	1165	125	200	1065	810	215	700	200	300	200	650
B0622	635	240	440	420	270	305	815	750	320	1165	125	200	1065	810	215	700	230	300	200	650
B5830	635	240	440	425	270	335	915	750	320	1260	250	300	1170	815	220	700	300	300	200	650
B5840	635	240	440	425	270	335	915	750	320	1260	250	300	1170	815	220	700	320	300	200	650
C5511	635	290	400	460	225	240	790	750	400	1215	250	300	1125	815	260	700	80	450	250	600
C0615	635	290	440	420	270	305	870	750	400	1300	250	300	1200	815	260	700	200	300	250	600
C0622	635	290	440	420	270	305	870	750	400	1300	250	300	1200	815	260	700	230	300	250	600

Withdrawal distance
for float level control



Withdrawal distance
for motor

Dimensions in mm (Note: these figures are for guidance only and not to be used for design purposes)

Unit	A	B	C	D	E	F	G	H	J	K	L	M	N	P	Q	R	S	T	U	Y
C5830	635	290	440	425	270	335	1010	750	400	1435	250	300	1345	820	260	700	250	300	250	600
C5840	635	290	440	425	270	335	1010	750	400	1435	250	300	1345	820	260	700	280	300	250	600
C5930	635	290	490	425	310	340	1010	750	400	1435	250	300	1345	815	260	700	300	300	250	600
C5940	635	290	490	425	310	340	1010	750	400	1435	250	300	1345	815	260	700	330	300	250	600
C5955	635	290	490	425	310	340	1010	750	400	1435	250	300	1345	815	260	700	380	300	250	600
D5822	635	350	440	425	270	305	1067	750	477	1570	250	300	1480	815	280	700	250	300	300	600
D5830	635	350	440	425	270	335	1067	750	477	1570	250	300	1480	815	280	700	250	300	300	600
D5840	635	350	440	425	270	335	1067	750	477	1570	250	300	1480	815	280	700	280	300	300	600
D5930	635	350	425	460	310	340	1067	750	477	1570	250	300	1480	820	280	700	250	350	300	600
D5940	635	350	425	460	310	340	1067	750	477	1570	250	300	1480	820	280	700	250	350	300	600
D5955	635	350	425	460	310	340	1067	750	477	1570	250	300	1480	820	280	700	280	350	300	600
E5930	820	350	350	610	310	340	1067	1000	477	1580	400	400	1465	1080	280	700	0	650	300	850
E5940	820	350	350	610	310	340	1067	1000	477	1580	400	400	1465	1080	280	700	0	650	300	850
E5955	820	350	350	610	310	340	1067	1000	477	1580	400	400	1465	1080	280	700	80	600	300	850

Dimensions of control panel

	A1	B1	C1
Single pump	240	300	220
Duplicate pump	430	300	220

