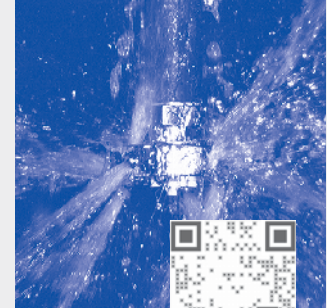
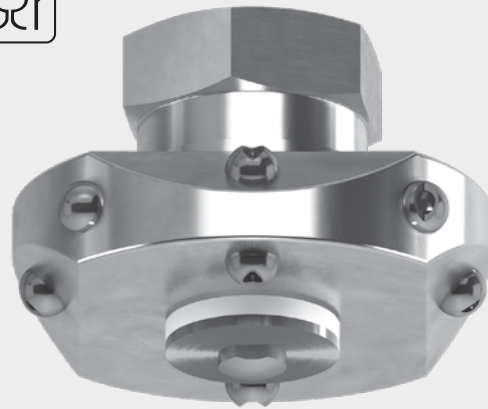




Rotating cleaning nozzles "Gyro" Series 577

Series 577

The Gyro cleans with powerful nozzle inserts and is the largest capacity free spinning design. The Gyro is capable of cleaning very large tanks and is clog-resistant.



To see video

Scan the QR-code
or go to:
www.lechlerusa.com



Max. tank diameter [ft]

0

10

20

30

40



Materials

Stainless steel
316, PTFE



Max. temperature

194°F/ 90°C



Recommended operating pressure

45 psi



Installation

Vertically facing downward



Filtration

Line strainer with a mesh size of 0.3 mm/50 mesh



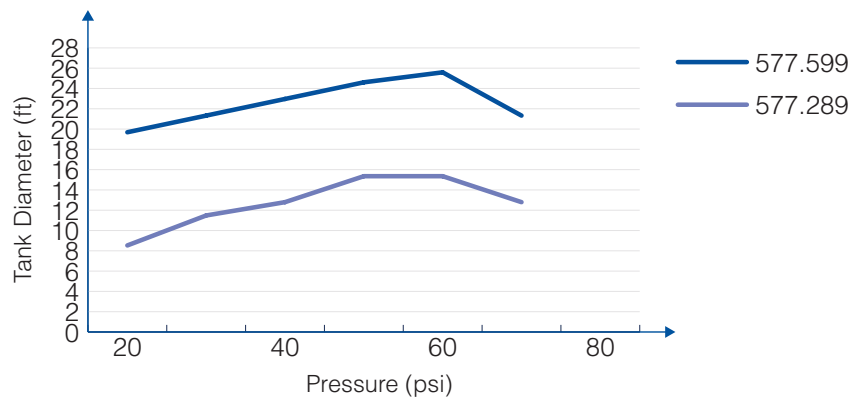
Bearing

Slide bearing made of PTFE

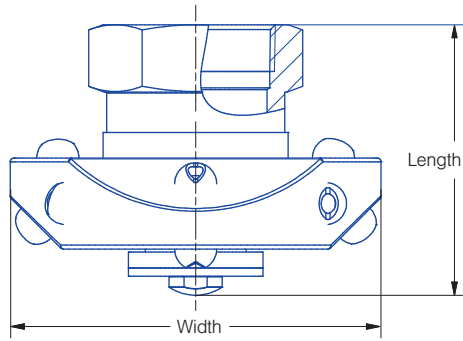


Accessories

Spare parts set consisting of: top seal, bottom seal, bolt, nut, sleeve, instructions for use








Overview of the tank diameter, depending upon the pressure of series 577



Nozzle dimensions [in]

Type	Height (in.) H	Diam. (in.) Ø D
57X.28X	2.7	4.6
57X.36X	2.7	4.6
57X.40X	4.1	5.9
57X.43X	4.1	5.9
57X.52X	4.1	5.9

Spray angle 	Ordering no.			Free Passage (in.)	Flow Rate (Gallons Per Minute)				Dimensions	
	Type	Connection			20 psi	liters per minute 2 bar	40 psi	60 psi	Length (in.)	Max. Width (in.)
		1" NPT	2" NPT							
180° 	577. 283. 1Y	BN	-	.14	35	163	50	61	2.7	4.6
	577. 363. 1Y	BN	-	.22	56	258	80	98	2.7	4.6
	577. 403. 1Y	-	BW	.24	70	322	100	123	4.1	5.9
	577. 433. 1Y	-	BW	.22	85	386	120	147	4.1	5.9
	577. 523. 1Y	-	BW	.31	141	644	200	245	4.1	5.9
180° 	577. 284. 1Y	BN	-	.14	35	161	50	61	2.7	4.6
	577. 364. 1Y	BN	-	.22	56	258	80	98	2.7	4.6
	577. 404. 1Y	-	BW	.24	70	322	100	123	4.1	5.9
	577. 434. 1Y	-	BW	.22	85	386	120	147	4.1	5.9
	577. 494. 1Y	-	BW	.31	120	538	170	208	4.0	5.9
270° 	577. 285. 1Y	BN	-	.14	35	161	50	61	2.7	4.6
	577. 365. 1Y	BN	-	.22	56	258	80	98	2.7	4.6
	577. 405. 1Y	-	BW	.22	70	322	100	123	4.0	5.9
	577. 435. 1Y	-	BW	.24	85	387	120	147	4.1	5.9
	577. 495. 1Y	-	BW	.31	120	548	170	208	4.1	5.9
360° 	577. 289. 1Y	BN	-	.14	35	161	50	61	2.7	4.6
	577. 369. 1Y	BN	-	.17	57	258	80	98	2.7	4.6
	577. 409. 1Y	-	BW	.22	70	322	100	123	4.0	5.9
	577. 439. 1Y	-	BW	.24	85	387	120	147	4.0	5.9
	577. 499. 1Y	-	BW	.31	120	548	170	208	4.0	5.9

Information on operation

- Operation with compressed air purge only for short-term usage. Operation above the recommended operating pressure means higher wear and smaller droplets. This might have adverse effects on the cleaning result.

The maximum tank diameter shown above applies for the recommended operating pressure and is indicative only. The cleaning result is also affected by the type of soiling.

Example for Ordering: Type **577. 283. 1Y.** + Connection **BN** = Ordering no. **577. 283. 1Y. BN**