



High impact tank cleaning machine

Series 5TM & Series 5HM – High Temperature

Series 5TM

The 5TM is used for large tank cleaning applications. It is noted for its robust and proven construction, effective solid jets and gear-controlled rotation. This unit operates on low pressures while still providing excellent cleaning.

* Note: The previous M20/M29 series has been replaced with the 5TM/5HM series. 5TM/5HM components are compatible with all existing M20/M29 tank cleaning machines.



To see video

Scan the QR-code
or go to:
www.lechlerusa.com

	Max. tank diameter [ft]	0	15	30	45	60
--	--------------------------------	---	----	----	----	----

Materials
Stainless steel AISI 316L, PTFE, carbon fibre

Max. temperature
5TM: 170°F/ 77°C
5HM: 200°F/ 93°C

Recommended operating pressure
75 psi

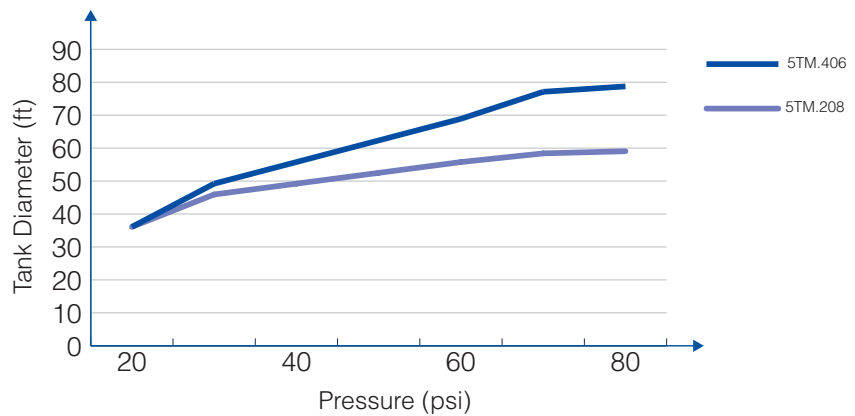
Installation
Operates in every direction

Filtration
Line strainer with a mesh size of 0.2 mm/80 Mesh

Bearing
Ball bearing

Weight
17 lbs

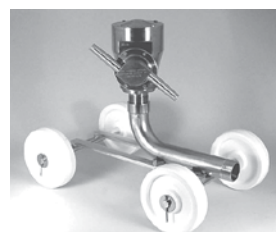
Rotation monitoring sensor
Sensor compatible
Info: see page 68



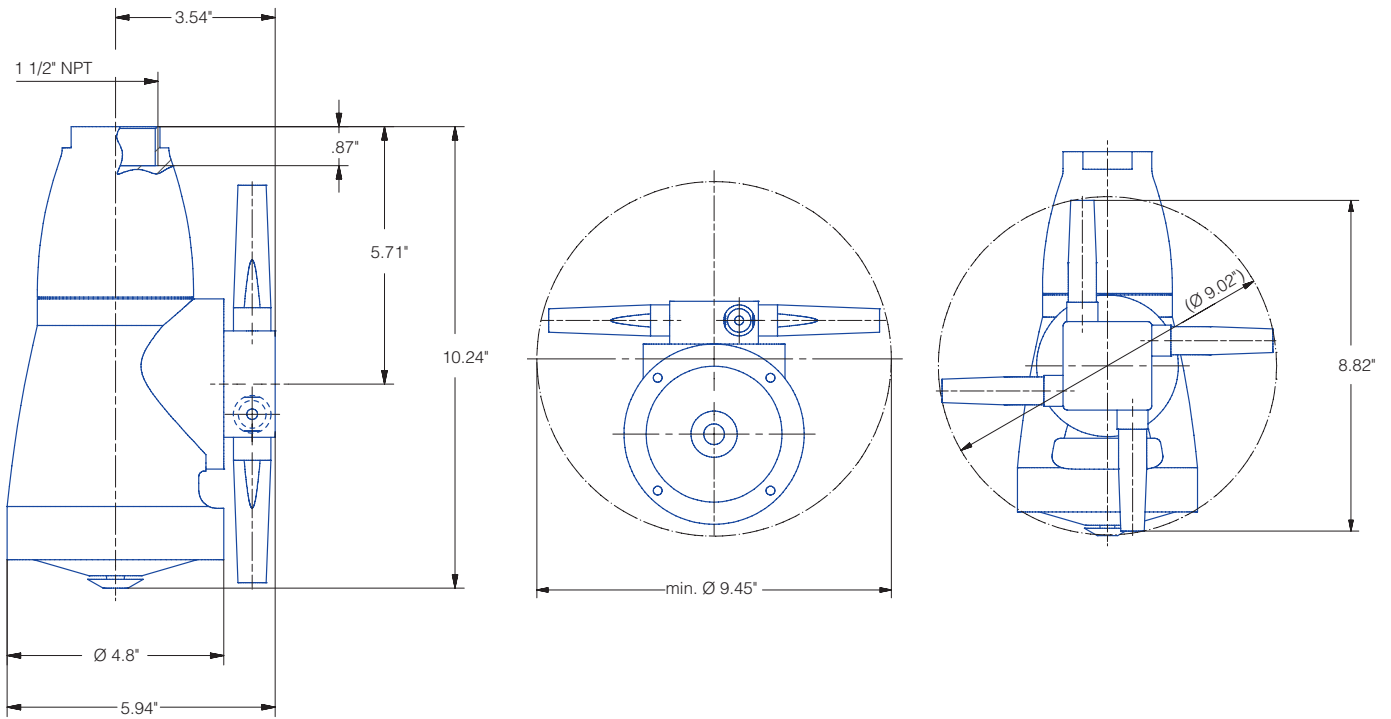
Overview of the tank diameter, depending upon the pressure of series 5TM



A special mounting attachment allows the 5TM version to double the spray volume to the end bulkheads of long, horizontal tanks or tankers. That part number is 099.164.17.00.

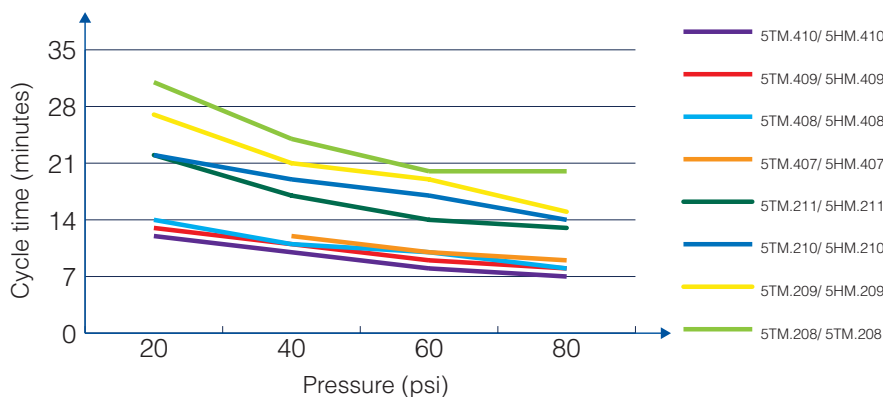


If you have multiple large tanks to clean, Lechler offers a portable cart for easier transporting and operation of your 5TM from tank to tank. The cart part number is M20.000.17.BR.



Ordering no.				Free Passage (in.)	No. of Nozzles x Diameter		Operating Pressure				Max. tank diameter [ft]
Type	Connection						40 psi	60 psi	80 psi	100 psi	
	1 1/2" Male NPT	1 1/2" Female NPT	1 1/2" CL150 Flange								
5TM. 208. 1Y 5HM. 208. 1Y	BR	BS	015	.314	2 x 8mm	Flow Rate Cycle Time	40 gpm 31 min	49 gpm 24 min	56 gpm 20 min	59 gpm 20 min	79
5TM. 209. 1Y 5HM. 209. 1Y	BR	BS	015	.354	2 x 9mm	Flow Rate Cycle Time	45 gpm 27 min	54 gpm 21 min	60 gpm 19 min	65 gpm 15 min	79
5TM. 210. 1Y 5HM. 210. 1Y	BR	BS	015	.394	2 x 10mm	Flow Rate Cycle Time	50 gpm 22 min	62 gpm 19 min	69 gpm 17 min	72 gpm 14 min	79
5TM. 211. 1Y 5HM. 211. 1Y	BR	BS	015	.433	2 x 11mm	Flow Rate Cycle Time	57 gpm 22 min	68 gpm 17 min	78 gpm 14 min	80 gpm 13 min	75
5TM. 407. 1Y 5HM. 407. 1Y	BR	BS	015	.276	4 x 7mm	Flow Rate Cycle Time	**	70 gpm 12 min	78 gpm 10 min	82 gpm 9 min	66
5TM. 408. 1Y 5HM. 408. 1Y	BR	BS	015	.315	4 x 8mm	Flow Rate Cycle Time	62 gpm 14 min	74 gpm 11 min	84 gpm 10 min	92 gpm 8 min	72
5TM. 409. 1Y 5HM. 409. 1Y	BR	BS	015	.354	4 x 9mm	Flow Rate Cycle Time	74 gpm 13 min	88 gpm 11 min	98 gpm 9 min	106 gpm 8 min	75
5TM. 410. 1Y 5HM. 410. 1Y	BR	BS	015	.394	4 x 10mm	Flow Rate Cycle Time	80 gpm 12 min	95 gpm 10 min	107 gpm 8 min	110 gpm 7 min	75

The maximum tank diameter shown above applies for the recommended operating pressure and is indicative only. The cleaning result is also affected by the type of soiling.



Cycle time depending on pressure of series 5TM