

Counter/ Preset Counter



measuring
•
monitoring
•
analyzing

DAG-Z2



- Counter / Preset Counter in 74 x 32 mm Format
- Universal AC/DC Power Supply
- Input Frequency up to 100 kHz
- 2-Line LED Display
- Easy Programming by Front Keys or Software
- Two Relay Outputs



KOBOLD companies worldwide:

ARGENTINA, AUSTRIA, BELGIUM, BULGARIA, CANADA, CHILE, CHINA, COLOMBIA, CZECH REPUBLIC, EGYPT, FRANCE, GERMANY, GREAT BRITAIN, HUNGARY, INDIA, INDONESIA, ITALY, MALAYSIA, MEXICO, NETHERLANDS, PERU, POLAND, ROMANIA, RUSSIA, SINGAPORE, SOUTH KOREA, SPAIN, SWITZERLAND, TAIWAN, THAILAND, TUNISIA, TURKEY, USA, VIETNAM

KOBOLD Instruments, Inc.
1801 Parkway View Drive
Pittsburgh, PA 15205
☎ Main Office:
1.800.998.1020
1.412.788.4890
✉ info@koboldusa.com
www.koboldusa.com

Description

The compact KOBOLD DAG-Z2 can be set as either a single or double counter, each with independent settings. The three universal digital inputs (NPN, PNP, TTL) can be used for bi-directional encoder readings, UP/DOWN counter function, or LOCK/HOLD to lock the current visualization. One analog input allows setpoint modification by an external potentiometer. It offers a brilliant display and a rugged housing. With a variety of modes and scaling options, the DAG-Z2 is an economical option for many applications.

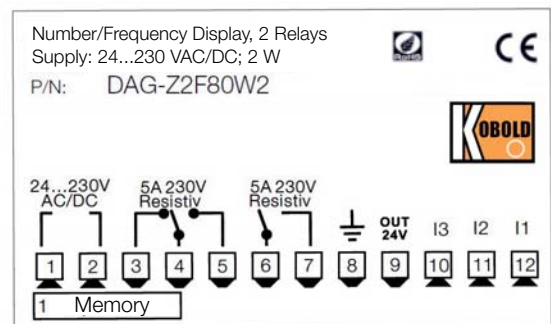


Specifications

- Display:** 2-Line, LED Display
- Upper Line:** Count Value, 4-Digit
10.2 mm, Green Digits
- Lower Line:** Setpoint, 4-Digit
7.6 mm, Red Digits
- Indicators:** Two Red Indicators for Relay Output Status and a Yellow Indicator for Serial Communication
- 1, 2:** On, when Output is Active
- Buttons:** 4 Front Keys for Programming and Establishing Setpoints
- Inputs:** Three Digital Inputs, can be Configured as NPN, PNP, or TTL. Programmable Thresholds for Activation as a HIGH/LOW, Active Rising Edge, or Level Triggered. Input I3 can be used for Connecting Potentiometer (0...5/10 kΩ) for Setting the Nominal Value (Resolution: 1000 Steps)
- Input Function:** Counting Direction, Stop, Hold, Wait, Setpoint Input (I3)
- Input Frequency:** 1 Hz to 100 kHz
- Relay Output:** 1 SPDT Relay, Max. 5A @ 230 VAC and 1 N/O Contact, Max. 5A @ 230 VAC
- Excitation:** 24 VDC
Max. 30 mA (24 VAC Power Supply)
Max. 40 mA (24 VDC Power Supply)
Max. 60 mA (110...230 VAC Power Supply)
- Supply:** 24 VAC/VDC...230 VAC/VDC ± 15%

- Data Security:** Password Protected Access to Setpoint, Alarm Values and Parameters
- Programming:** Menu-guided via Front Keys
- Protection:** IP 65 from the Front (with Rubber Seal)
IP 20 from the Back
- Housing:** Rugged Black Plastic
- Dimensions:** 77 mm W x 35 mm H x 53 mm D
Panel Cut-out at 28.5 mm x 70.5 mm
- Connection:** Screw Terminals
- Ambient Conditions**
 - Temp:** 0...45 °C
 - Humidity:** 35...95% RH, non-condensing
 - Weight:** Approx. 100 grams

Wiring Diagram



Order Details

Model
DAG-Z2 F 8 0 W 2